

INTERNAL (INDOOR) MODELS:

RX199i (REU-NB3237FF-US)

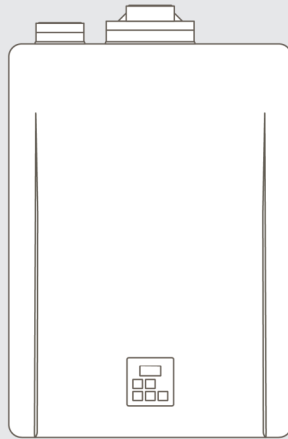
RX130i (REU-NB2024FF-US)

RX180i (REU-NB2934FF-US)

RXP199i (REU-NBP3237FF-US)

RX160i (REU-NB2530FF-US)

RXP160i (REU-NBP2530FF-US)



ANSI Z21.10.3 • CSA 4.3

# Tankless Water Heater (Residential)

## Installation and Operation Manual

# Rinnai®

U362-0871(00)



060 00012 304022

 **WARNING**

**If the information in these instructions is not followed exactly, a fire or explosion may result causing property damage, personal injury, or death.**

- Do not store or use gasoline or other flammable vapors and liquids in the vicinity of this or any other appliance.
- **WHAT TO DO IF YOU SMELL GAS**
  - Do not try to light any appliance.
  - Do not touch any electrical switch; do not use any phone in your building.
  - Immediately call your gas supplier from a neighbor's phone. Follow the gas supplier's instructions.
  - If you cannot reach your gas supplier, call the fire department.
- Installation and service must be performed by a trained and qualified professional, service agency or the gas supplier.

 **AVERTISSEMENT**

**Assurez-vous de bien suivre les instructions données dans cette notice pour réduire au minimum le risque d'incendie ou d'explosion ou pour éviter tout dommage matériel, toute blessure ou la mort.**

- Ne pas entreposer ni utiliser d'essence ou ni d'autres vapeurs ou liquides inflammables à proximité de cet appareil ou de tout autre appareil.
- **QUE FAIRE SI VOUS SENTEZ UNE ODEUR DE GAZ :**
  - Ne pas tenter d'allumer d'appareil.
  - Ne touchez à aucun interrupteur ; ne pas vous servir des téléphones se trouvant dans le bâtiment.
  - Appelez immédiatement votre fournisseur de gaz depuis un voisin. Suivez les instructions du fournisseur.
  - Si vous ne pouvez rejoindre le fournisseur, appelez le service des incendies.
- L'installation et l'entretien doivent être assurés par un installateur ou un service d'entretien qualifié ou par le fournisseur de gaz.

Full-length French and Spanish versions available online at [rinnai.us](http://rinnai.us).

# Contents

<b>1. Welcome</b>	<b>4</b>
1.1 To The Installer	4
1.2 To The Consumer	4
1.3 Acronyms and Abbreviations	4
<b>2. Safety</b>	<b>5</b>
2.1 Safety Symbols	6
2.2 Safety Precautions	6
<b>3. About the Water Heater</b>	<b>8</b>
3.1 Model Numbers Explained	8
3.2 Front and Bottom View	9
3.3 Components	10
3.4 Specifications	11
3.5 Dimensions	12
3.6 Accessories	14
<b>4. Install the Water Heater</b>	<b>16</b>
4.1 Installation Guidelines	16
4.2 What You Will Need	17
4.3 Choose an Installation Location	18
4.4 Mount the Water Heater to the Wall	21
4.5 Vent the Water Heater	23
4.6 Connect the Water Supply	47
4.7 Install the Isolation Valves	48
4.8 Install the Pressure Relief Valve	48
4.9 Connect the Condensate Drain	49
4.10 Connect the Gas Supply	52
4.11 Connect the Power Supply	55
4.12 Initial Settings	56
4.13 Configure Parameter Settings	59
4.14 External Pump with Circ-Logic	62
4.15 Post-Water Heater Installation Checklist	63
<b>5. Operation</b>	<b>65</b>
5.1 Safety Precautions	65
5.2 Gas Operating Instructions	67
5.3 Control Panel	68
5.4 Setting the Temperature	69
5.5 Performance Data	70
5.6 Diagnostic Codes	72
5.7 Configuring Recirculation (If Applicable)	75
<b>6. Maintenance</b>	<b>82</b>
6.1 Maintenance	82
6.2 Cleaning and Inspecting the Air Filter	84
6.3 Flushing the Heat Exchanger	85
6.4 Draining the Water Heater	87
<b>7. Appendices</b>	<b>88</b>
7.1 Massachusetts State Gas Regulations	88
7.2 Wiring Diagram	90
7.3 Ladder Diagram	91
7.4 Pressure Drop Curves	92
7.5 Water Flow and Pump Performance Curves	93
7.6 Guidelines for Additional Temperature Controllers	94
7.7 Bluetooth Low Energy (BLE) and App Instructions	95
7.8 Federal Communication Commission (FCC) Interference Statement	96
7.9 Industry Canada Statement	97
<b>8. Warranty</b>	<b>98</b>

# 1. Welcome

Thank you for purchasing a Rinnai Tankless Water Heater. Before installing and operating this water heater, be sure to read these instructions completely and carefully to familiarize yourself with the water heater's features and functionality.

## 1.1 To The Installer

- It is recommended that a trained and qualified professional who has attended a Rinnai training class complete the installation. The warranty may be voided due to any improper installation.
- A trained and qualified professional should have skills such as:
  - Gas sizing
  - Connecting gas lines, water lines, valves, and electricity
  - Knowledge of applicable national, state, and local codes
  - Installing venting through a wall or roof
  - Training in installation of tankless water heaters. Training on Rinnai Tankless Water Heaters is accessible at [rinnai.pro.myabsorb.com](http://rinnai.pro.myabsorb.com).
- Read all instructions in this manual before installing the water heater. The water heater must be installed according to the exact instructions in this manual.
- Proper installation is the responsibility of the trained and qualified professional.
- When installation is complete, leave this manual with the water heater (for internal/indoor units) or give the manual directly to the consumer.

## 1.2 To The Consumer

- This manual provides instructions on operating and maintaining the water heater. Keep this manual for future reference.
- As when using any appliance generating heat, there are certain safety precautions you should follow. See section "2.2 Safety Precautions" for detailed safety precautions.
- Be sure your water heater is installed by a trained and qualified professional.
- If installing in the state of Massachusetts, refer to section "7.1 Massachusetts State Gas Regulations" in this manual.

## 1.3 Acronyms and Abbreviations

Table 1 provides a list of common acronyms and abbreviations used in this manual:

Table 1. Acronyms and Abbreviations

<b>ANSI</b>	American National Standards Institute
<b>Btu</b>	British Thermal Unit
<b>DHW</b>	Domestic Hot Water
<b>GPM</b>	Gallons per minute
<b>LPG</b>	Liquid Petroleum Gas
<b>NG</b>	Natural Gas
<b>PP</b>	Polypropylene
<b>PRV</b>	Pressure Relief Valve
<b>PSI</b>	Pounds per square inch
<b>WC</b>	Inches of water column

## 2. Safety

### **WARNING**

If the information in these instructions is not followed exactly, a fire or explosion may result causing property damage, personal injury, or death.

- Do not store or use gasoline or other flammable vapors and liquids in the vicinity of this or any other appliance.
- **WHAT TO DO IF YOU SMELL GAS**
  - Do not try to light any appliance.
  - Do not touch any electrical switch; do not use any phone in your building.
  - Immediately call your gas supplier from a neighbor's phone. Follow the gas supplier's instructions.
  - If you cannot reach your gas supplier, call the fire department.
- Installation and service must be performed by a trained and qualified professional, service agency or the gas supplier.
- The warning signs in this manual are here to prevent injury to you and others. Please follow them explicitly.

### **AVERTISSEMENT**

Assurezvous de bien suivre les instructions données dans cette notice pour réduire au minimum le risque d'incendie ou d'explosion ou pour éviter tout dommage matériel, toute blessure ou la mort.

- Ne pas entreposer ni utiliser d'essence ou ni d'autres vapeurs ou liquides inflammables à proximité de cet appareil ou de tout autre appareil.
- **QUE FAIRE SI VOUS SENTEZ UNE ODEUR DE GAZ :**
  - Ne pas tenter d'allumer d'appareil.
  - Ne touchez à aucun interrupteur ; ne pas vous servir des téléphones se trouvant dans le bâtiment.
  - Appelez immédiatement votre fournisseur de gaz depuis un voisin. Suivez les instructions du fournisseur.
  - Si vous ne pouvez rejoindre le fournisseur, appelez le service des incendies.
- L'installation et l'entretien doivent être assurés par un installateur ou un service d'entretien qualifié ou par le fournisseur de gaz.
- Les panneaux d'avertissement de ce manuel sont ici pour éviter de vous blesser et d'autres personnes. Suivezles explicitement.

## 2.1 Safety Symbols

This manual contains the following important safety symbols. Always read and obey all safety messages.

### **WARNING**

Indicates a potentially hazardous situation which, if not avoided, could result in personal injury or death.

### **CAUTION**

Indicates a potentially hazardous situation which, if not avoided, could result in minor or moderate injury. It may also be used to alert against unsafe practices.



Alerts you to potential hazards that can kill or hurt you and others.

### **DANGER**

Indicates an imminently hazardous situation which, if not avoided, will result in personal injury or death.

## 2.2 Safety Precautions

The following precautions apply to the installer and consumer. Read and follow all instructions in this section.

### **WARNING**

DO NOT adjust the internal gas valve. The design is such that adjustment is not required. Warranty may be voided if the internal gas valve is adjusted.

### **WARNING**

Outdoor installations require a Rinnai-specified outdoor vent cap. DO NOT install the water heater outdoors without the Rinnai-specified outdoor vent cap. Refer to the installation instructions of the outdoor vent cap to install this water heater outdoors.

- Before operating, smell all around the appliance area for gas. Be sure to smell next to the floor because some gas is heavier than air and will settle on the floor.
- Keep the area around the appliance clear and free from combustible materials, gasoline, and other flammable vapors and liquids.
- Combustible construction refers to adjacent walls and ceiling and should not be confused with combustible or flammable products and materials. Combustible and/ or flammable products and materials should never be stored in the vicinity of this or any gas appliance.
- Flammable liquids such as cleaning solvents, aerosols, paint thinners, adhesives, gasoline and propane must be handled and stored with extreme care. These flammable liquids emit flammable vapors and when exposed to an ignition source can result in a fire hazard or explosion. Flammable liquids should not be used or stored in the vicinity of this or any other gas appliance.

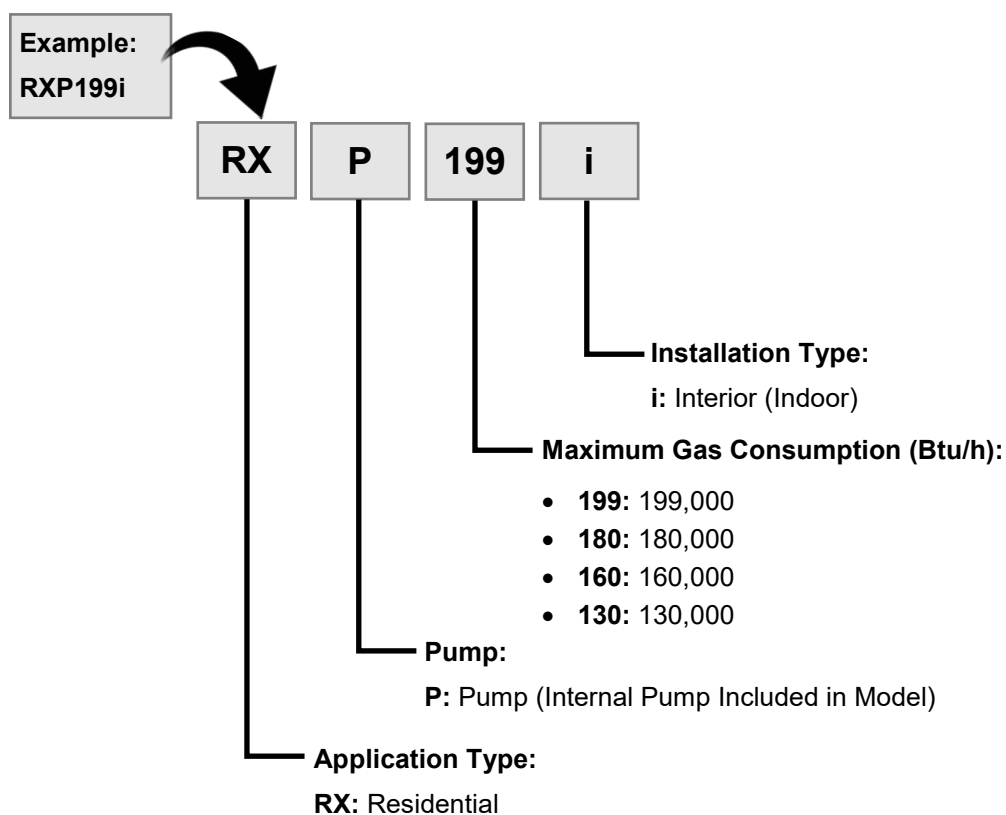
- DO NOT store or use gasoline or other flammable vapors and liquids in the vicinity of this or any other appliance.  
*(NE PAS entreposer ni utiliser d'essence ou ni d'autres vapeurs ou liquides inflammables à proximité de cet appareil ou de tout autre appareil.)*
- Always check the water temperature before entering a shower or bath.
- Hot water outlet pipes leaving the water heater can be hot to touch.
- To protect yourself from harm, before performing maintenance:
  - Turn off the electrical power supply by unplugging the power cord or by turning off the electricity at the circuit breaker. (The temperature controller does not control the electrical power.)
  - Turn off the gas at the manual gas control valve, usually located immediately below the water heater.
  - Turn off the incoming water supply. This can be done at the isolation valve immediately below the water heater or by turning off the water supply to the building.
  - Use only your hand to turn the manual gas control valve. Never use tools. If the manual gas control valve will not turn by hand, do not try to repair it; call a trained and qualified professional. Force or attempted repair may result in a fire or explosion.
- DO NOT use this appliance if any part has been under water. Immediately call a qualified service technician to inspect the appliance and to replace any part of the control system and any gas control which has been under water.  
*(N'utilisez pas cet appareil s'il a été plonge dans l'eau, même partiellement. Faites inspecter l'appareil par un licence professionnelle et remplacez toute partie du système de contrôle et toute commande qui ont été plongés dans l'eau.)*
- DO NOT use substitute materials. Use only parts certified for the appliance.

- Should overheating occur or the gas supply fails to shut off, turn off the manual gas control valve to the appliance.  
*(En cas de surchauffe ou si l'alimentation en gaz ne s'arrête pas, fermez manuellement le robinet d'arrêt de l'admission de gaz.)*
- Only trained and qualified professionals are permitted to adjust parameter settings.
- DO NOT use an extension cord or adapter plug with this appliance.
- Any alteration to the appliance or its controls can be dangerous and will void the warranty.
- DO NOT operate the water heater without the front panel installed. The front panel should only be removed for service/maintenance or replacing internal components.
- BURN HAZARD. Hot exhaust and vent may cause serious burns. Keep away from the water heater. Keep small children and animals away from the water heater.
- Proper venting is required for the safe operation of this appliance.
- Install the vent system per local and national codes.
- DO NOT obstruct the flow of combustion and ventilation air to the water heater.
- Failure to properly vent this appliance can result in death, personal injury and/ or property damage.
- DO NOT install this water heater above 10,200 ft (3,109 m).
- Rinnai recommends that every home have a carbon monoxide (CO) alarm in the hallway near bedrooms in each sleeping area. Check batteries monthly and replace them annually.

# 3. About the Water Heater

Topics in this section
• Model Numbers Explained
• Front and Bottom View
• Components
• Specifications
• Dimensions
• Accessories

## 3.1 Model Numbers Explained





# 3.2 Front and Bottom View

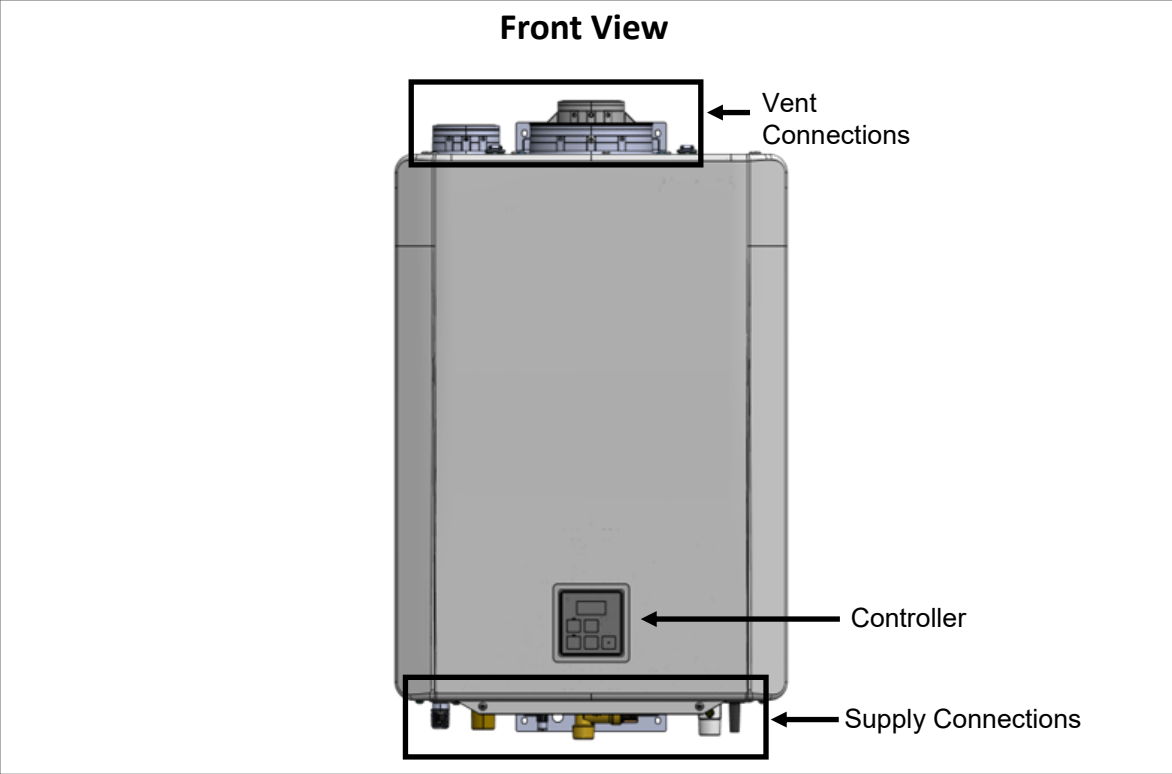


Figure 1: Front View

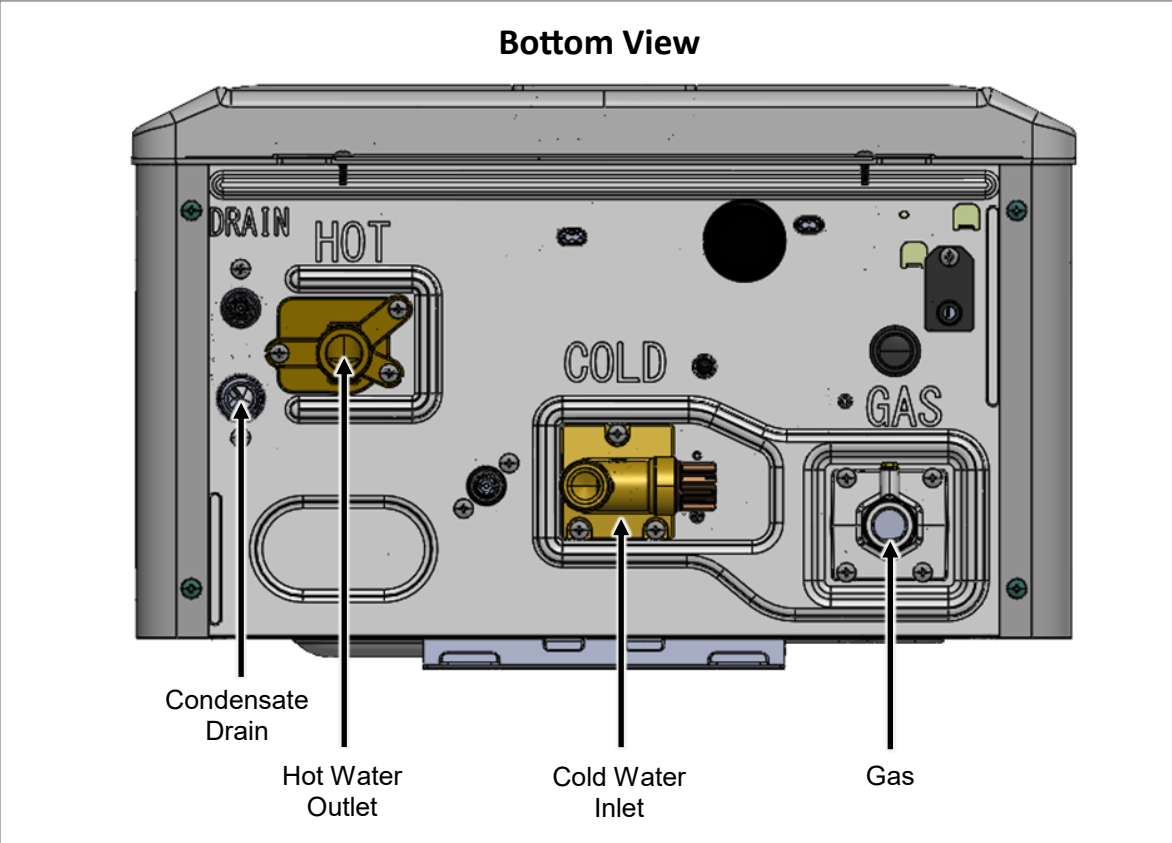


Figure 2: Bottom View

# 3.3 Components

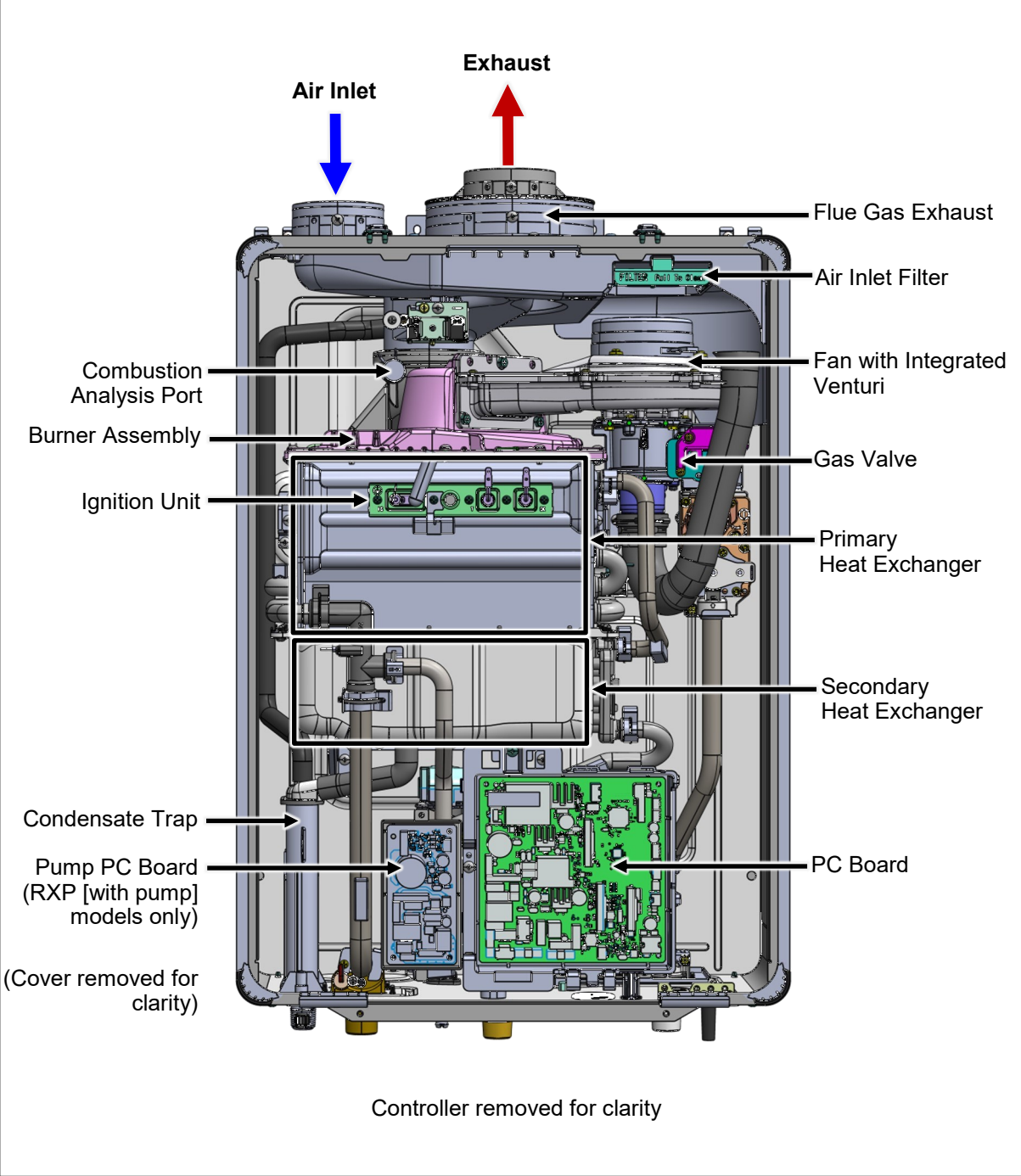


Figure 3: Components

# 3.4 Specifications

Table 2. Specifications

		Indoor Units without Pump				Indoor Units with Pump	
		(Includes outdoor installations with Rinnai-specified outdoor vent cap)					
		RX199i	RX180i	RX160i	RX130i	RXP199i	RXP160i
Minimum Gas Consumption Btu/h		15,000					
Maximum Gas Consumption Btu/h		199,000	180,000	160,000	130,000	199,000	160,000
Flow Rate <sup>1</sup> (Min-Max)		0.13-11.1 GPM (0.5-42 L/min)	0.13-10.0 GPM (0.5-38 L/min)	0.13-9.0 GPM (0.5-34 L/min)	0.13-7.1 GPM (0.5-27 L/min)	0.13-11.1 GPM (0.5-42 L/min)	0.13-9.0 GPM (0.5-34 L/min)
Unit Weight		55 lb (25 kg)	55 lb (25 kg)	54 lb (24 kg)	54 lb (24 kg)	58 lb (26 kg)	57 lb (26 kg)
Sound Level		49 dB	49 dB	48 dB	48 dB	49 dB	48 dB
Electrical Data	Normal	98 W	76 W	73 W	47 W	98 W	73 W
	Normal with Pump Operation	-				170 W	149 W
	Standby	1.3 W				1.3 W	
	Freeze Protection	142 W				174 W	
	Max Current	4 Amps					
	Fuse	10 Amps					
Temperature Setting		Minimum: Normal Operation: 98°F (37°C) (Crossover Mode: 120°F (49°C)) Maximum: Default: 120°F (49°C) With Parameter Adjustment: 140°F (60°C)					
Bypass Flow Control		Electronic					
Gas Supply Pressure <sup>2</sup>	Natural Gas	3.5 in. wc - 10.5 in. wc					
	Propane	8.0 in. wc - 13.5 in. wc					
Type of Appliance		Super-High-Efficiency (Condensing), Tankless, Temperature Controlled, Continuous Flow Gas Hot Water System					
Ignition System		Direct Electronic Ignition					
Electric Connections		Appliance: AC 120 Volts, 60Hz Temperature Controller: DC 12 Volts (Digital)					
Water Supply Pressure		Minimum: 15 PSI (Recommended 50 PSI for maximum performance) Maximum: 150 PSI					
Remote Control Cable		Non-Polarized Two Core Cable (Minimum 22 AWG) Non-polarized Two Conductor Low Voltage Cable (Minimum 22 AWG)					
ENERGY STAR® Qualified		Yes					
Complies with South Coast Air Quality Management District 14 ng/J or 20 ppm NOx emission levels		Yes					

<sup>1</sup> Activation flow rate may vary slightly depending on the temperature setting and the inlet water temperature.

<sup>2</sup> The maximum gas supply pressure must not exceed the value specified by the manufacturer.

Rinnai products are continually being updated and improved; therefore, specifications are subject to change without prior notice.

# 3.5 Dimensions

Measurements: in. (mm)

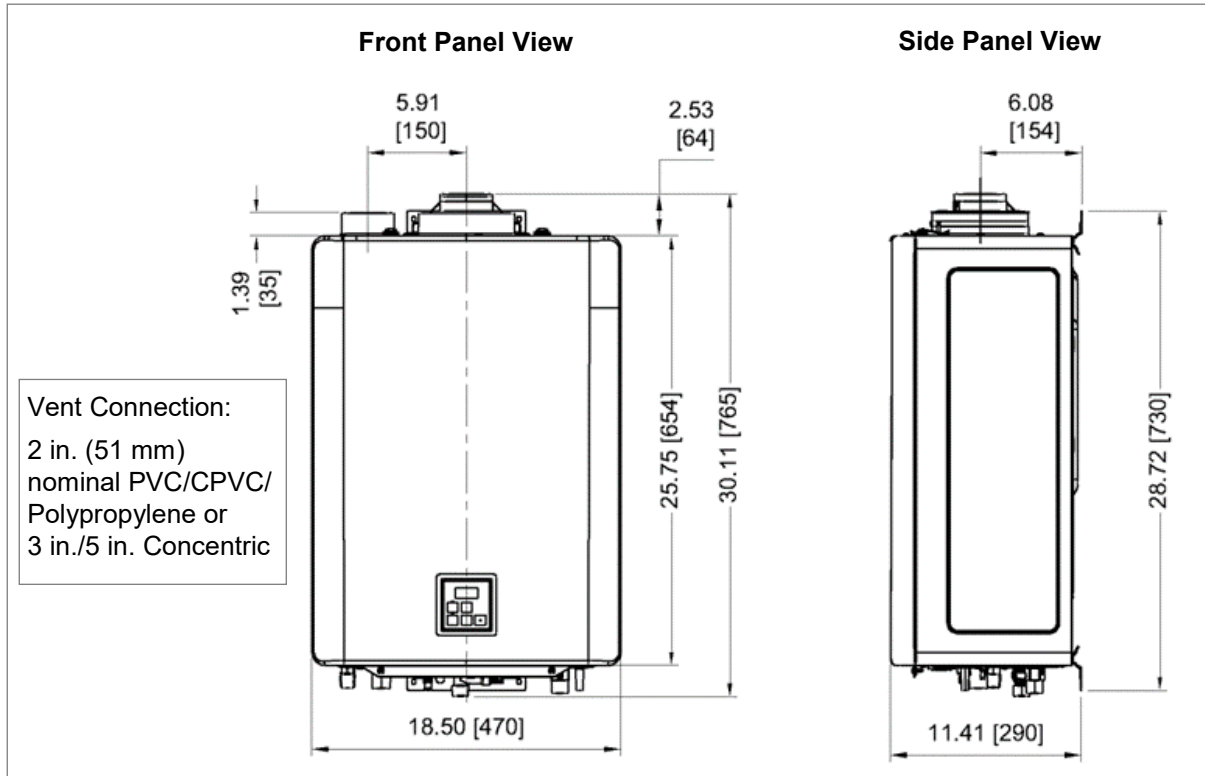


Figure 4: Dimensions

### 3.5.1 Supply Connections

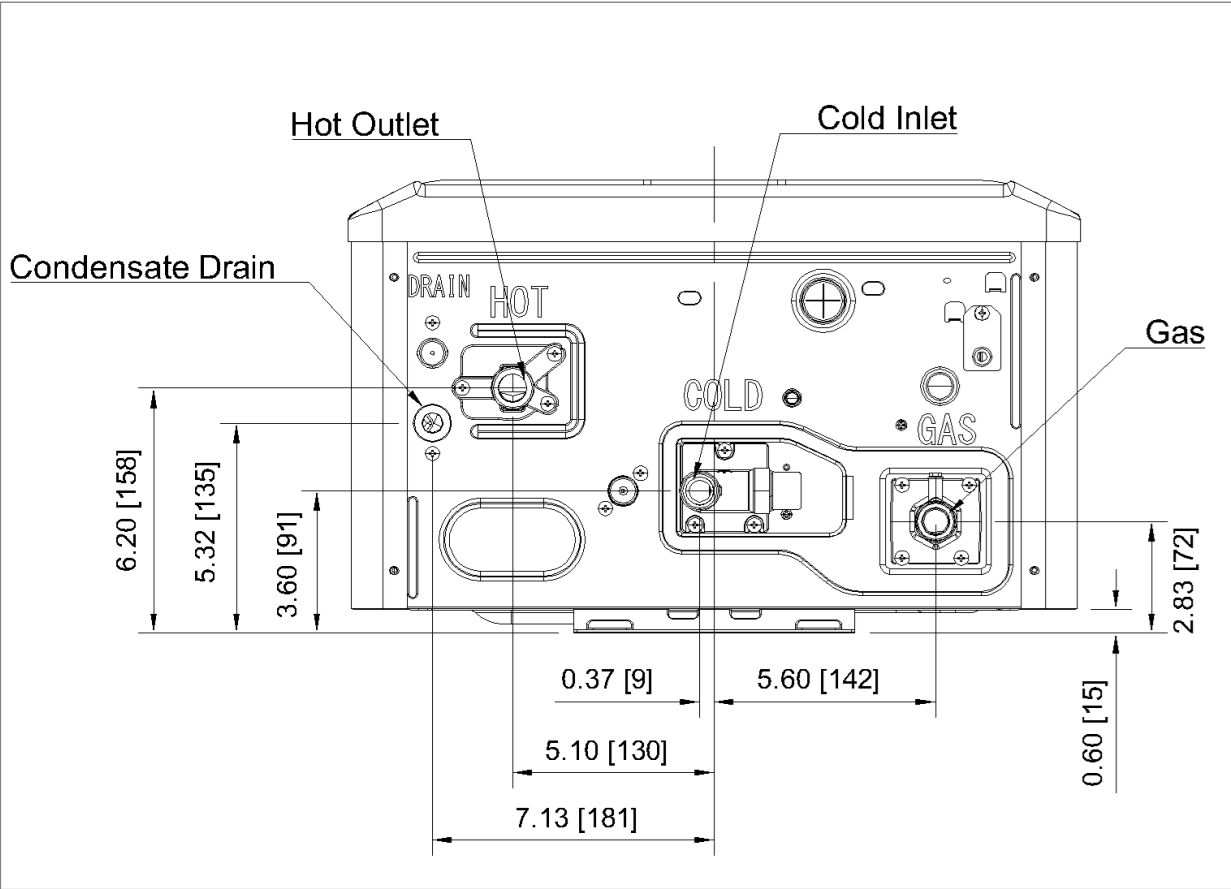


Figure 5: Supply Connections

Table 3. Supply Connections

Connection	Connection Size
Gas	3/4 in. NPT
Cold Inlet	3/4 in. NPT
Hot Outlet	3/4 in. NPT
Condensate Drain	1/2 in. NPT

## 3.6 Accessories

Numerous optional accessories are available for purchase for your Rinnai Tankless Water Heater. Listed below are some commonly purchased accessories. For a complete list of accessories, visit [www.rinnai.us](http://www.rinnai.us). For questions, or to purchase an accessory, contact your local Rinnai dealer/distributor or Rinnai Customer Care at 1-800-621-9419.

Table 4. Accessories

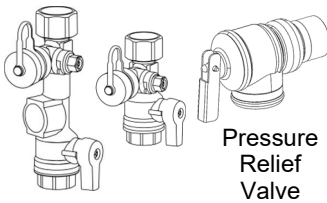


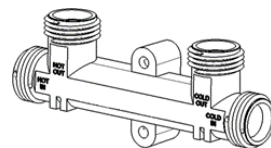







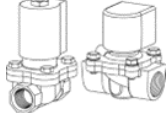
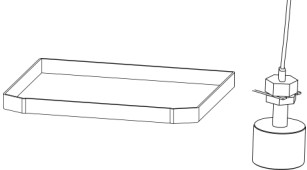


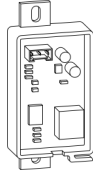
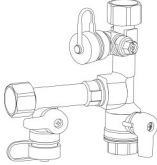



Product	Product Description	Image
<b>Isolation Valve Kit</b> <ul style="list-style-type: none"> <li>Part #: MIVK-T-LW</li> </ul>	Isolation valves provide the ability to isolate the water heater from the structure's plumbing system and allow quick and easy access to flush the heat exchanger. Rinnai strongly recommends use of these valves for service and maintenance.	 <p>Pressure Relief Valve</p>
<b>Outdoor Vent Cap</b> <ul style="list-style-type: none"> <li>Part #: RXOVC</li> </ul>	Allows the water heater to be installed outdoors.	
<b>BLE Push Button</b> <ul style="list-style-type: none"> <li>Part #: RPB02</li> </ul>	Mounted in a convenient location, such as a kitchen faucet or bathroom sink, the BLE push button works without the Wi-Fi Module to operate the tankless water heater recirculation system by pushing the button.	
<b>Thermal Bypass Valve</b> <ul style="list-style-type: none"> <li>Part #: 107000143</li> </ul> Included with RXP (with pump) models	The thermal bypass valve can be installed between a cold water pipe and a hot water pipe to run recirculation without a dedicated return line.	
<b>Condensate Neutralizer</b> <ul style="list-style-type: none"> <li>Part #: 804000074</li> </ul>	Neutralizes the condensate generated by the water heater.	
<b>Wi-Fi Module (and Accessories)</b> <ul style="list-style-type: none"> <li>Part #: RWM101</li> </ul>	Controls On-Demand recirculation, remotely adjust temperatures, and communicates with the service provider portal. The module and MC-195T-US controller are not compatible accessories and must not be installed together.	
<b>Additional Controllers</b> <ul style="list-style-type: none"> <li>Part #: MC-601-BK, MC-601-W, or MC-195T-US</li> </ul>	Additional controllers are available for user convenience.	
<b>Pipe Cover</b> <ul style="list-style-type: none"> <li>PCD11-SHS</li> </ul>	Encloses the piping below the water heater for aesthetic purposes.	
<b>Recess Box</b> <ul style="list-style-type: none"> <li>Part #: RGBCTWHRX</li> </ul>	Allows a water heater to be recessed into a wall. A vent adapter is provided with the recess box.	

Table 4. Accessories (Continued)

Product	Product Description	Image	
<b>ScaleCutter</b> <ul style="list-style-type: none"> <li>Part #: 103000038</li> </ul>	Filters and reduces the amount of scale entering the water heater allowing for greater water heater longevity.		
<b>ScaleCutter Refill Cartridge</b> <ul style="list-style-type: none"> <li>Part #: 103000039</li> </ul>	Refill cartridge for the ScaleCutter filter assembly.		
<b>Drain Down Kit</b> <ul style="list-style-type: none"> <li>Part #: 104000059</li> </ul>	Provides freeze protection by immediately draining the water heater upon loss of power.		
<b>Leak Detection Kit</b> <ul style="list-style-type: none"> <li>Part #: RXLeakKit</li> </ul>	Pipe cover drain pan and float switch for use with Pipe Cover (Part #: PCD11-SHS)		
<b>Room Air Screen</b> <ul style="list-style-type: none"> <li>Part #: 108000104 for 2 in.</li> <li>Part #: 108000105 for 3 in.</li> </ul>	Recommended room air screen for use in room air applications only.		
<b>EZConnect™ Cable</b> <ul style="list-style-type: none"> <li>Part #: REU-EZC-2</li> </ul>	Electronically connects two water heaters and allows them to function as one hot water source.		
<b>OPU Switch</b> <ul style="list-style-type: none"> <li>Part #: REU-OPU3</li> </ul>	Normally Closed (NC) switch that connects to the tankless water heater PC Board. When used with a hydronic air handler, the switch gives priority to domestic hot water.		
<b>Dedicated Return and Isolation Valve Kit</b> <ul style="list-style-type: none"> <li>Part #: 107000639</li> </ul>	Valve kit including tee, drain valve, pressure relief valve, check valve and isolation valves (cold and hot) to simplify set-up of a dedicated recirculation line.		
<b>Internal Add-on Recirculation Conversion Kit</b> <ul style="list-style-type: none"> <li>Part #: RX2RXPCCK</li> </ul>	Allows a no pump model to be converted to a pump model.	<i>Image not shown</i>	
<b>Ubbink 2 in. Polypropylene (PP) Flexible Venting</b> <ul style="list-style-type: none"> <li>Approved for condensing, vertical non-direct vent (room air) applications</li> <li>Maximum equivalent length: 50 ft (15 m)</li> </ul>	 <b>2 in. (60) Condensing Flex Termination Kit</b> Part #: 184470NPP	 <b>2 in. (60) Flex Roll X</b> 41.5 Ft (12.5 m) Part #: 222721NPP	 <b>2 in. (60) Flex Connector</b> Part #: 222720NPP
<b>Gas Conversion Kit</b> Part #: <ul style="list-style-type: none"> <li>104000330</li> </ul>	Converts the tankless water heater gas type. Kit contains gas conversion manual and conversion rating plate label (adheres to water heater to display new gas type).	<div data-bbox="1066 1834 1422 1977" style="border: 1px solid black; padding: 5px;"> <p><b>Water Heater Certified for use in the United States and Canada</b></p> <p>Model: [RX1301]</p> <p>Conversion Kit #: [104000330] to [NATURAL] Gas</p> <p>Gas Supply Pressure: Min. [5.5" W.C. (0.87kPa)] - Max. [10.5" W.C. (2.61kPa)]</p> <p>Manifold Pressure: [-0.17" W.C. (-0.04kPa)] (Non-Adjustable)</p> <p>Input Rating: Refer to input rate information on the existing rating plate.</p> <p>This water heater was converted on _____ (day-month-year) to _____ gas with Kit No. _____ by _____ (name and organization making this conversion), which accepts the responsibility that this conversion has been properly made.</p> <p>This appliance has been converted for use with [NATURAL] gas.</p> </div> <p style="text-align: center;"><b>Sample Rating Plate Label</b></p>	

# 4. Install the Water Heater

## Topics in this section

- Installation Guidelines
- What You will Need
- Choose an Installation Location
- Mount the Water Heater to the Wall
- Vent the Water Heater
- Connect the Water Supply
- Install the Isolation Valves
- Install the Pressure Relief Valve
- Connect the Condensate Drain
- Connect the Gas Supply
- Connect the Power Supply
- Initial Settings
- Configure Parameter Settings
- External Pump with Circ-Logic
- Post-Water Heater Installation Checklist

### THIS SECTION IS INTENDED FOR THE INSTALLER

Installer qualifications: A trained and qualified professional must install the appliance, inspect it, and leak test the water heater before use. The warranty may be voided due to any improper installation. The trained and qualified professional should have skills such as: Gas sizing; Connecting gas lines, water lines, valves, and electricity; Knowledge of applicable national, state, and local codes; Installing venting through a wall or roof; and training in installation of tankless water heaters. Training for Rinnai Tankless Water Heaters is accessible online at [rinnai.pro.myabsorb.com](http://rinnai.pro.myabsorb.com).

## 4.1 Installation Guidelines

When installing the water heater, follow these guidelines:

- This water heater is certified for installation in residential applications and manufactured (mobile) homes.
- This water heater is suitable for combination water heating and space heating and not suitable for space heating applications only.
- The installation must conform with local codes or, in the absence of local codes, with the National Fuel Gas Code, ANSI Z223.1/NFPA 54, and/or CSA B149.1, Natural Gas and Propane Installation Code. If installed in a manufactured home, the installation must conform with the Manufactured Home Construction and Safety Standard, Title 24 CFR, Part 3280 and/ or CAN/SCA Z240 MH Series, Manufactured Homes.

- The appliance, when installed, must be electrically grounded in accordance with local codes or, in the absence of local codes, with the National Electrical Code, ANSI/NFPA 70, and/or the CSA C22.1, Canadian Electrical Code, Part 1.
- The appliance and its main gas valve must be disconnected from the gas supply piping system during any pressure testing of that system at test pressures in excess of 1/2 psi (3.5 kPa) (13.84 in W.C.). The appliance must be isolated from the gas supply piping system by closing its individual manual shutoff valve during any pressure testing of the gas supplying system at test pressure equal to or less than 1/2 psi (3.5 kPa) (13.84 in W.C.).
- You must follow the installation instructions and those in section "4.5 Vent the Water Heater" for adequate combustion air and exhaust.
- If a water heater is installed in a closed water supply system, such as one having a backflow preventer in the cold water supply line, means shall be provided to control thermal expansion. Contact the water supplier or local plumbing inspector on how to control thermal expansion.
- Should overheating occur or the gas supply fail to shut off, turn off the manual gas control valve to the appliance.  
*(En cas de surchauffe ou si l'alimentation en gaz ne s'arrête pas, fermez manuellement le robinet d'arrêt de l'admission de gaz.)*
- Combustion air must be free of chemicals, such as chlorine or bleach, that produce fumes. These fumes can damage components and reduce the life of your appliance.

### DO NOT

- DO NOT install the water heater outdoors without the Rinnai outdoor vent cap (Part # RXOVC).
- DO NOT install the water heater indoors with the Rinnai outdoor vent cap (Part # RXOVC)
- DO NOT install the water heater in an area where water leakage of the unit or connections will result in damage to the area adjacent to the appliance or to lower floors of the structure. When such locations cannot be avoided, it is recommended that a suitable drain pan, adequately drained, be installed under the water heater. The pan must not restrict intake air flow.
- DO NOT install the water heater in an area with negative air pressure.
- DO NOT obstruct the flow of combustion and ventilation air.
- DO NOT use chemically treated water (i.e. chlorinated water or salt water for pools or spas) in the appliance.
- DO NOT use substitute parts that are not authorized for this appliance.

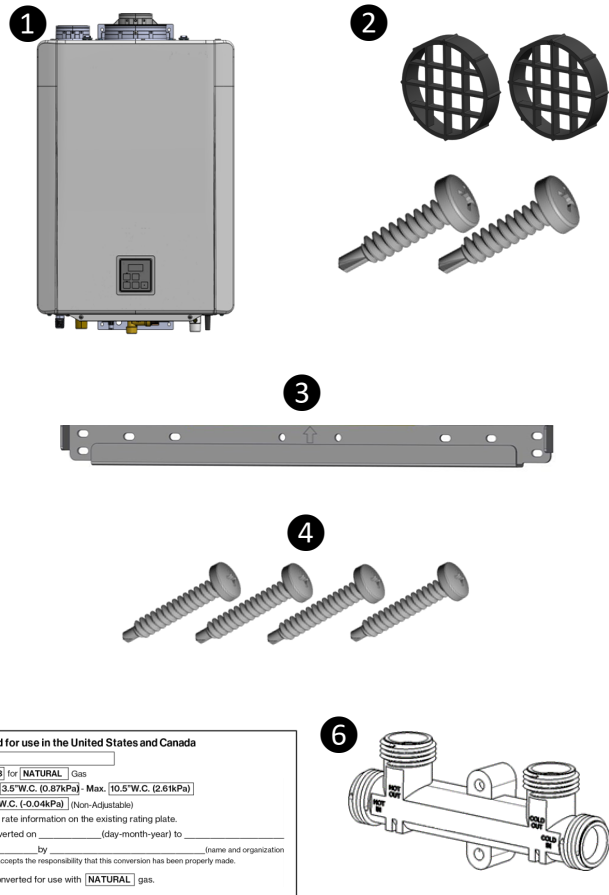


## 4.2 What You Will Need

### 4.2.1 Items Included

Unpack the Rinnai Tankless Water Heater package and verify the following contents are included. If any items are missing, contact your local dealer/distributor or call Rinnai Customer Care at 1-800-621-9419.

#	Item
①	Rinnai Tankless Water Heater
②	Vent screens (x2) and vent screen screws (x2). The vent screen prevents debris and other objects from entering the terminal. One vent screen is for the air inlet; the other is for the exhaust.
③	Wall Mounting Bracket
④	Self-Tapping Screws (x4) (4.2 x 25 mm)
⑤	Gas Conversion Label
⑥	Thermal Bypass Valve For RXP (with pump) models only
⑦	Literature Bag ( <i>image not shown</i> ) <ul style="list-style-type: none"> <li>Wall Mounting Bracket Template</li> <li>Tankless Water Heater Installation and Operation Manual (this manual)</li> </ul>



### 4.2.2 Items Needed (Field-Supplied)

#### TOOLS:

- Pipe wrenches (x2)
- Phillips Head screwdriver
- Wire Cutters
- Hammer drill with concrete bits
- Saw
- Threading machine with heads and oiler
- Core drill with diamond head
- Torch set
- Copper tubing cutter
- Steel pipe cutter
- Level

#### ITEMS:

- Gloves
- Safety glasses
- Soap or gas leak detector solution
- Approved venting
- Teflon tape (recommended) or pipe compound
- Pipe insulation
- Heat tape
- Electrical wire
- Concrete wall anchors
- Optional pipe cover
- PVC glue/cement and primer
- 2 conductor 22 AWG wire for controller
- Wire nuts
- Single gang electrical box
- Isolation Valve and Pressure Relief Valve Kit (Part #: MIVK-T-LW)
- Unions and drain valves
- Smart device (such as a Smartphone)
- Combustion analyzer (recommended)

## 4.3 Choose an Installation Location

When selecting an installation location, you must ensure that all water heater and venting clearances will be met and that the vent length will be within required limits. Consider the installation environment, water quality, and the need for freeze protection. Requirements for the gas line, water lines, electrical connection, and condensate disposal can be found in their respective installation sections in this manual.

### 4.3.1 Water Quality Guidelines

This section provides information on the importance of water quality to the Rinnai Tankless Water Heater. The information is intended to serve as a general guide only and is not a complete list of water quality guidelines. Consideration of care for your water heater should include evaluation of water quality. The water must be potable, free of corrosive chemicals, sand, dirt, or other contaminants. It is up to the trained and qualified professional to ensure the water does not contain corrosive chemicals or elements that can affect or damage the Rinnai Tankless Water Heater. Water that contains chemicals exceeding the levels listed below can damage the Rinnai Tankless Water Heater. Replacement of components due to water quality damage is not covered by the warranty.

If you install this water heater in an area that is known to have hard water or that causes scale build-up, the water must be treated and may require a more frequent flushing schedule. This water heater includes a service indicator: Service Soon, 55 (see section “4.13 Configure Parameter Settings” for instructions on adjusting parameter settings). When selected in the parameter settings, an 55 code will display on the controller indicating that it is time to flush and service the water heater. Scale build-up is caused by hard water and can be accelerated if the water heater is set at a high temperature. Rinnai offers Southeastern Filtration’s “ScaleCutter Water Conditioning System” that offers superior lime scale prevention and corrosion control. Refer to section “3.6 Accessories” for more information.

Table 5. Water Quality Guidelines

Contaminant	Maximum Level
Total Hardness	Up to 200 mg/L
Aluminum *	Up to 0.2 mg/L
Chlorides *	Up to 250 mg/L
Copper *	Up to 1.0 mg/L
Dissolved Carbon Dioxide (CO <sub>2</sub> )	Up to 15.0 mg/L
Iron *	Up to 0.3 mg/L
Manganese *	Up to 0.05 mg/L
pH *	6.5 to 8.5
TDS (Total Dissolved Solids) *	Up to 500 mg/L
Zinc *	Up to 5 mg/L

\*Source: Part 143 National Secondary Drinking Water Regulation

### 4.3.2 Environment

- Air surrounding the water heater, venting, and vent termination(s) is used for combustion and must be free of any compounds that cause corrosion of internal components.
- These include corrosive compounds that are found in aerosol sprays, detergents, bleaches, cleaning solvents, oil-based paints/varnishes, and refrigerants. The air in hair/nail salons, spas, dry cleaning stores, photo processing labs, and storage areas for pool supplies often contains these compounds. Therefore, it is recommended that external (outdoor) installations be used for these locations where possible. In applications utilizing room air where there are high levels of particulates, Rinnai offers a room air screen.
- The water heater, venting, and vent termination(s) should not be installed in any areas where the air may contain these corrosive compounds.
- Install the water heater as far away as possible from any air inlet vents. Corrosive fumes, sometimes found in hair/nail salons, spas, or other industries exposed to toxic fumes, may be released through these vents when not in operation. Chemicals that are corrosive in nature should not be stored or used near the water heater or vent termination. This requirement applies to indoor and outdoor installations.
- In coastal regions, the water heater should be installed so that it is sheltered/protected from exposure to sea breeze. Exposure to salty spray or breeze can cause corrosion of the water heater.
- DO NOT install the water heater in areas where intake air might be contaminated with chemicals.
- DO NOT use room air in applications where the indoor air is corrosive. Install the water heater as direct vent in a sealed closet so that it is protected from the potential of contaminated indoor air.
- Install the water heater and/or vent termination as far away as possible from exhaust vent hoods and dryer vents.
- Damage and repair due to corrosive compounds in the air is not covered by warranty.

### 4.3.3 Freeze Protection

Make sure that in case of freezing weather the water heater and its water lines are protected to prevent freezing. Damage due to freezing is not covered by the warranty.

When connected to a 120-volt power supply, the water heater will not freeze when the outside air temperature is as cold as -22°F (-30°C) for indoor installations or -4°F (-20°C) for outdoor installations, when protected from direct wind exposure. Because of the “wind-chill” effect, any wind or circulation of the air on the water heater will reduce its ability to protect itself from freezing.

In the event of a power failure and/or gas interruption at temperatures below freezing, the water heater should manually be drained of all water to prevent freezing damage. In addition, drain the condensate trap, drain line and pressure relief valve.

Loss of freeze protection may result in water damage from a burst heat exchanger or water lines.

The water heater may be drained manually. However, it is highly recommended to install the optional Drain Down Kit accessory (part # 104000059) that will enable the water heater to immediately drain upon loss of power (the condensate trap is not affected by the Drain Down Kit and must be manually drained). Refer to section “3.6 Accessories” for more information on the Drain Down Kit.

The freeze protection features will not prevent the external piping and valves from freezing. It is recommended that hot and cold water pipes be insulated. Pipe cover enclosures may be packed with insulation for added freeze protection.

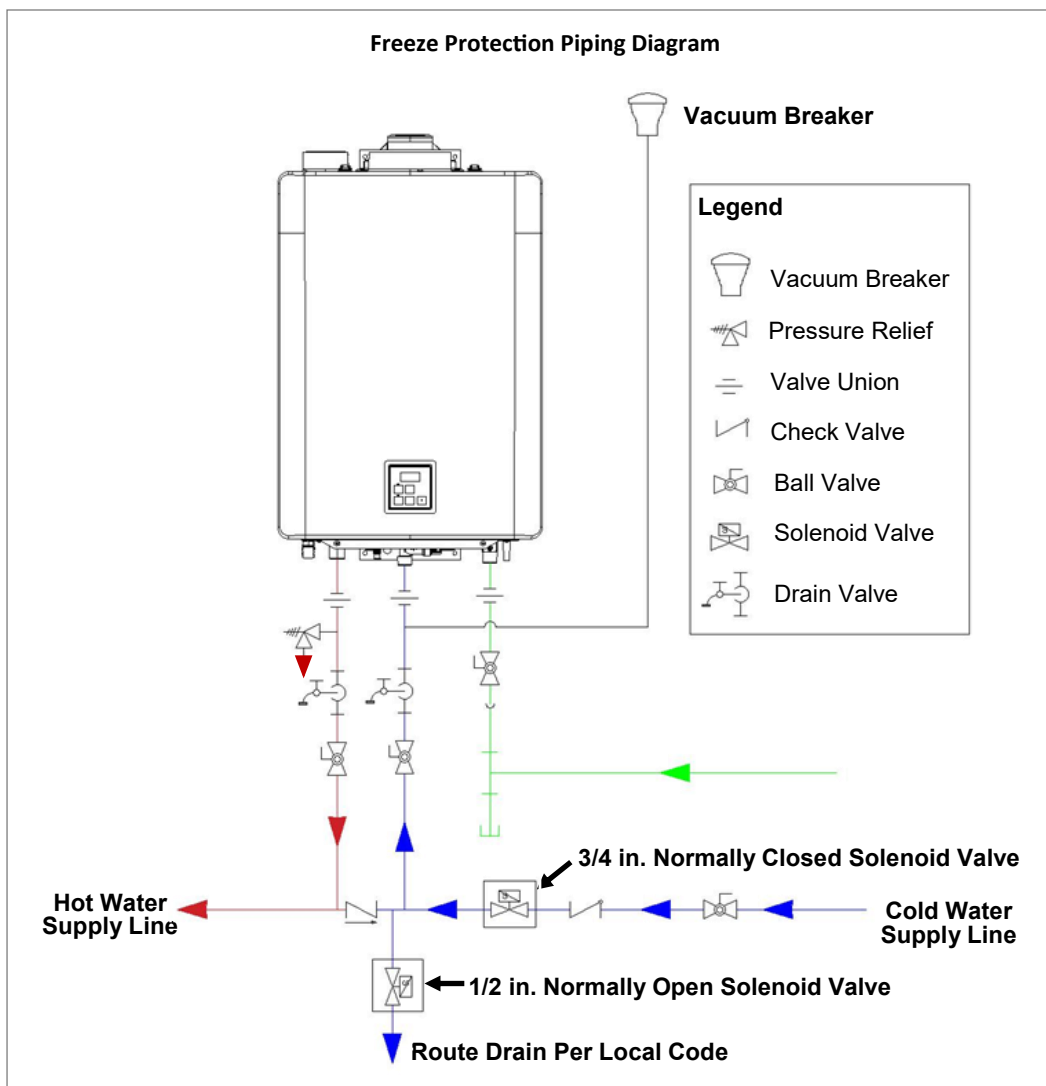


Figure 6: Freeze Protection Piping Diagram

## 4.3.4 Clearances

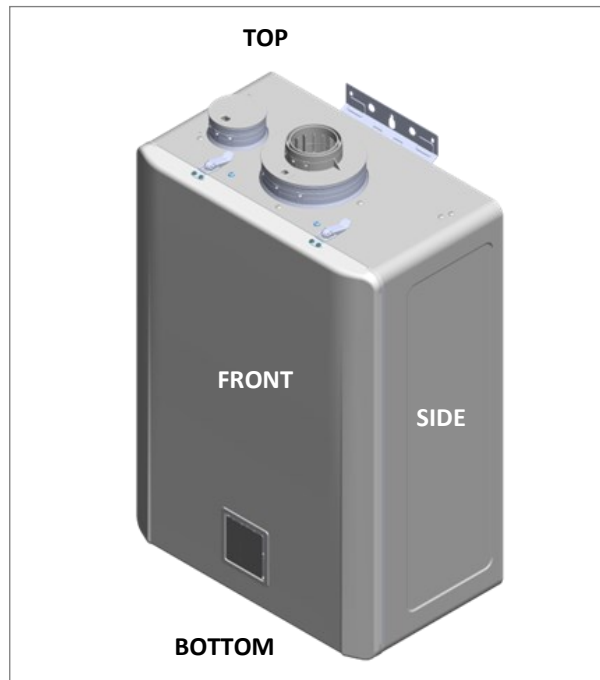


Figure 7: Clearances

Table 6. Clearances

Location	Clearance to Combustibles and Non-Combustibles
Top	2 in. (51 mm) (0 in. from vent components)
Bottom/Ground	12 in. (305 mm)
Front	0 in. (Clearance for servicing is 24 in. / 610 mm in front of water heater)
Back	0 in.
Sides ( <i>Left and Right</i> )	2 in. (51 mm) (Add 0.25 in. / 6.35 mm for recess box)
Vent	0 in.



### CAUTION

If clearances are not met, damage to the property and water heater may occur.

## 4.3.5 Installation Location Checklist

Use this checklist to ensure you have selected the correct location for the water heater.

<input type="checkbox"/>	The water heater is not exposed to corrosive compounds in the air.
<input type="checkbox"/>	The water heater location complies with the required clearances.
<input type="checkbox"/>	The planned intake air and exhaust termination locations meet the required clearances.
<input type="checkbox"/>	The water supply does not contain chemicals or exceed total hardness that will damage the heat exchanger.
<input type="checkbox"/>	A standard 3 prong 120 VAC, 60 Hz properly grounded wall outlet or other 120 VAC, 60 Hz source is available.
<input type="checkbox"/>	The installation must conform with local codes or, in the absence of local codes, with the National Electric Code (NEC), National Fuel Gas Code, ANSI Z221.3/NFPA 54, and/or CSA B149.1, Natural Gas and Propane Installation Code.

## 4.4 Mount the Water Heater to the Wall

### You Will Need:

- Rinnai Tankless Water Heater
- Wall Mounting Bracket

### Supplied by Installer:

- Level
- Minimum of 6 screws (more screws may be needed depending on wall type)

*Use appropriate screws for type of wall constructions.*

### Instructions:

1. Hold the wall mounting bracket up against the wall and use a level to make sure the bracket is even. Proper operation requires the water heater to be level.

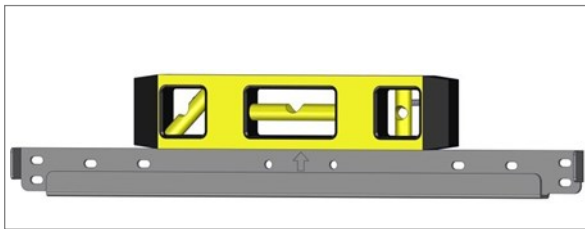


Figure 8: Level the bracket

2. Use four screws to secure the wall mounting bracket to the wall (two screws on the far left side and two screws on the far right side). Use the appropriate screws for the wall construction to secure the mounting bracket to the wall between two studs.

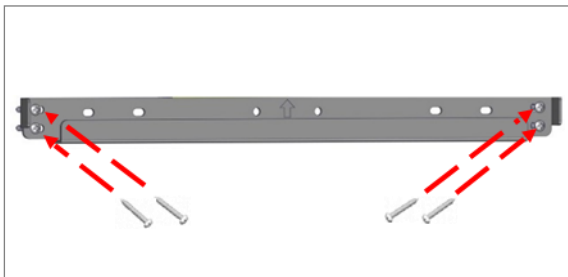


Figure 9: Secure the bracket

3. Insert the top bracket into the wall mounting bracket. Make sure the wall mounting bracket is attached to the wall and can hold the weight of the water heater before you fully let go.

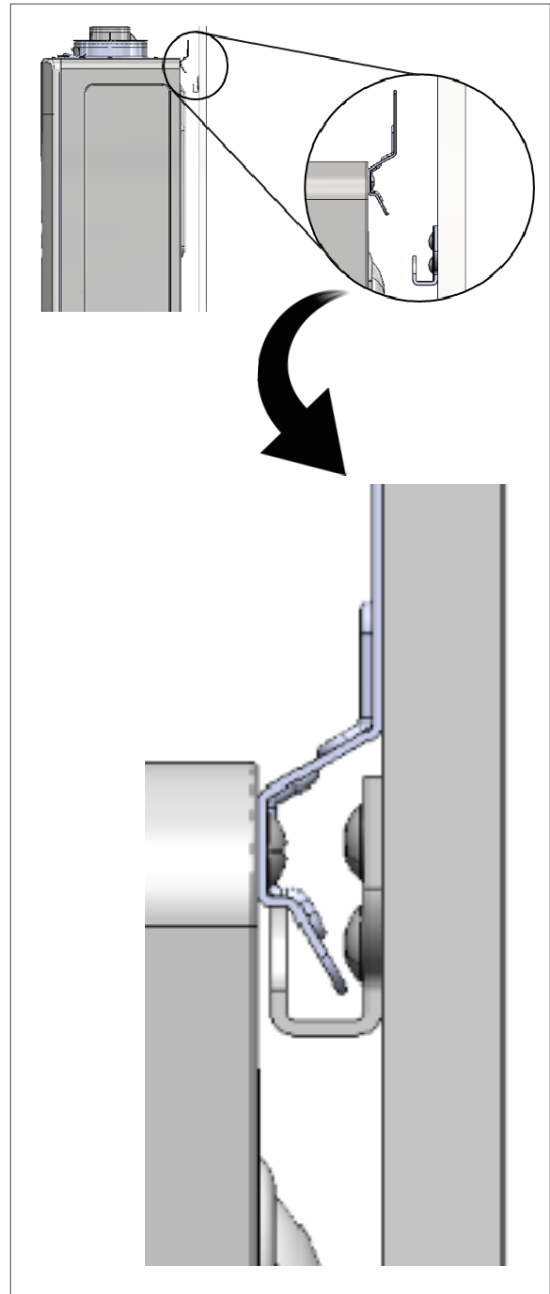


Figure 10: Mount the top bracket

4. Securely screw the top and bottom brackets into the wall, making sure the screws are flush with the wall.
  - Use any of the holes in the top and bottom brackets.
  - Make sure the securing method is sufficient to support the weight of the water heater. Refer to the water heater weight in section “3.4 Specifications.”

**→ IMPORTANT**

The water heater must be installed in an upright position. Do not install the water heater upside down or on its side or back.

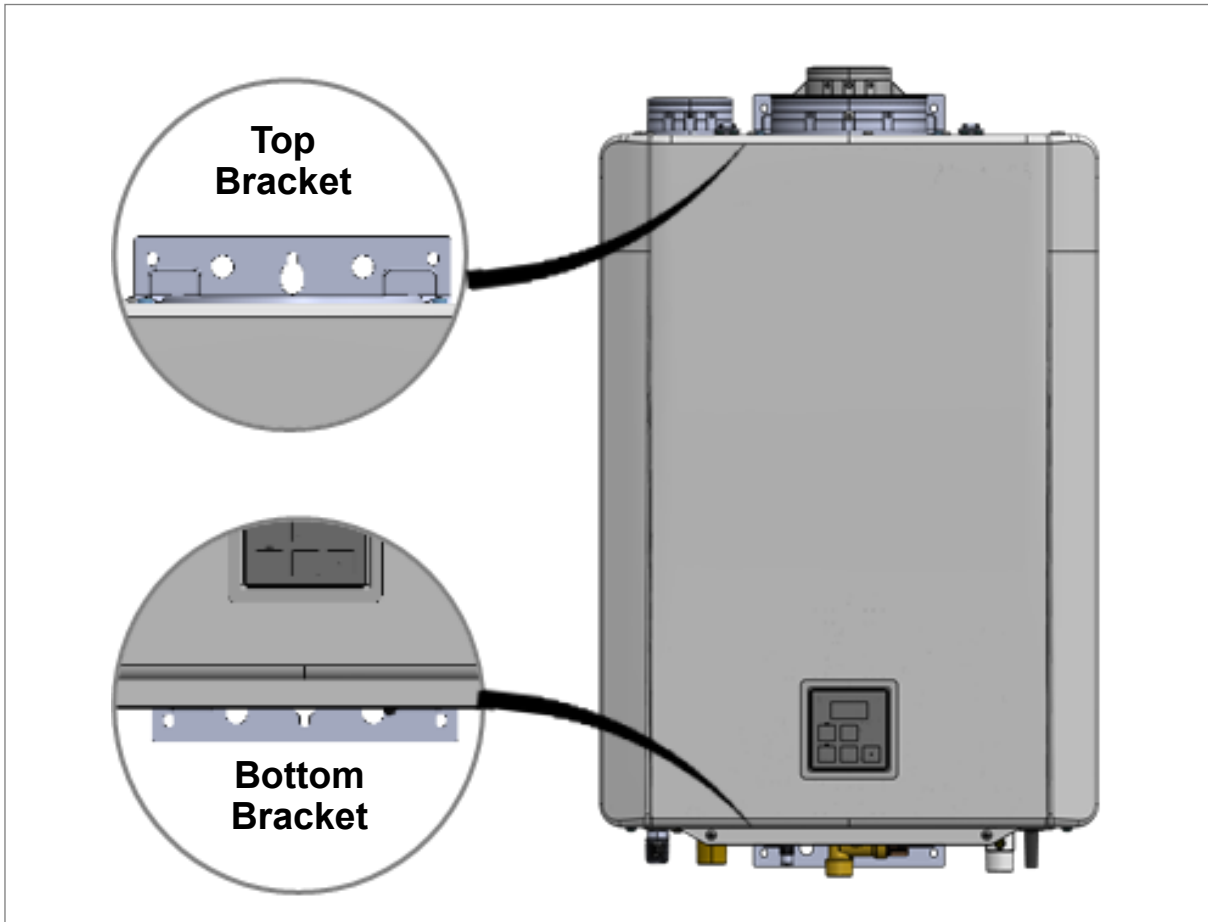


Figure 11: Top and Bottom Bracket

**⚠ WARNING**

Before operation of the water heater, the condensate collector must be filled with water. This is to prevent the potential of exhaust gases from entering the building. Failure to fill the condensate collector could result in severe personal injury or death.

5. Pour approximately 10 ounces (1.25 cups) of water directly into the water heater’s exhaust port.

## 4.5 Vent the Water Heater

### 4.5.1 Guidelines

- Internal water heaters can be installed as direct vent or non-direct vent applications.
- When installed as Direct Vent, refer to the “Direct Vent Approved Vent Manufacturers and Products” section (within section “4.5.4 1. Direct Vent”) for a complete list of approved vent manufacturers and products.
- When installed as Non-Direct Vent (Room Air), the vent must be Category IV, listed by a national recognized testing agency or solid core schedule 40 PVC when accepted by local codes.
- When installed as Non-Direct Vent (outdoor), the Rinnai specified outdoor vent cap must be used.
- Exhaust must be directly vented to the outside. Intake air can be provided from outside (Direct Vent) or from room air (Non-Direct Vent).
- If using room air (non-direct vent) for combustion, ensure the required volume of indoor air is available in accordance with one of the following:
  - A. The National Fuel Gas Code, ANSI Z223.1/NFPA 54;
  - B. CSA B149.1, Natural Gas and Propane Installation Code; or
  - C. Applicable provisions of the local building code.
- Avoid dips or sags in horizontal vent runs by installing supports per the vent manufacturer’s instructions.
- Support horizontal vent runs every 4 ft (1.2 m) and all vertical vent runs every 6 ft (1.83 m) or as per vent manufacturer’s instructions or local code requirements.
- Venting should be as direct as possible with a minimum number of pipe fittings.
- For manufactured vent systems, vent connections must be firmly pressed together so that the connections form an air tight seal. Follow the venting manufacturer’s instructions.
- Refer to the PVC/CPVC manufacturer for appropriate fittings, solvents or joining methods.

- The vent piece connected to the water heater must be secured with 1 self-tapping screw.
- Refer to the instructions of the vent system manufacturer for component assembly instructions.
- If the vent system is to be enclosed, it is suggested that the design of the enclosure shall permit inspection of the vent system. The design of such enclosure shall be deemed acceptable by the trained and qualified professional or the local inspector.
- Any issues resulting from improper vent installation will not be covered by warranty.
- When an existing Category I appliance is replaced by this tankless water heater, the original venting system may not be suitable for Category IV appliance. Approved vent materials must be used.



#### WARNING

- DO NOT use cellular core PVC/CPVC.
- DO NOT use Radel® (polyphenylsulfone) or galvanized material to vent this appliance.
- DO NOT cover non-metallic vent pipe and fittings with thermal insulation.
- DO NOT combine vent components from different manufacturers.
- You can reduce the vent diameter from 3 to 2 inch. Vent diameter cannot be less than 2 in. (51 mm).
- DO NOT connect the venting system with an existing vent or chimney.
- DO NOT common vent with the vent pipe of any other manufacturer’s water heater or appliance.
- Rinnai water heaters can only be common vented with Schedule 40 PVC/CPVC or with a Rinnai certified common vent system.



#### IMPORTANT

If reusing existing venting, the venting should be inspected for damage and to ensure it is appropriate (approved) for this water heater. To ensure safe and proper operation, damaged vent components **MUST** be replaced before operating the water heater.

## 4.5.2 Venting Installation Sequence

---

1. Install the water heater.
2. Determine the vent termination method—horizontal or vertical, concentric, or twin pipes, etc.
3. Determine proper location for wall or roof penetration for each termination.
4. Install termination assembly as described in this manual or in the vent manufacturer's installation instructions.
5. Install intake air and exhaust vent piping from water heater to termination.
6. Slope horizontal exhaust run towards the water heater 1/4 in. per foot (21 mm per meter). DO NOT slope intake air pipe towards water heater.
7. Install vent supports and brackets allowing for movement from expansion, as per vent manufacturer's instructions or local code requirements.
8. Install vent screen (supplied with water heater) on PVC intake air and exhaust termination elbows as illustrated below.
  - Press vent screen inside of termination piece/elbow.
  - Secure vent screen to the elbow with screw provided.

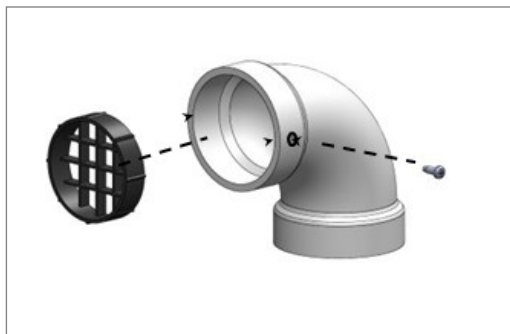


Figure 12: Vent Screen

## 4.5.3 Termination Considerations

---

Check to determine whether local codes supersede the following clearances:

- Avoid termination locations near a dryer vent.
- Avoid termination locations near commercial cooking exhaust.
- Avoid termination locations near any air inlets.
- You must install a vent termination at least 12 in. (30 cm) above the ground or anticipated snow level.

The vent for this appliance shall not terminate:

- Over public walkways.
- Near soffit vents or crawl space vents or other areas where condensate or vapor could create a nuisance or hazard or cause property damage.
- Where condensate or vapor could cause damage or could be detrimental to the operation of regulators, pressure relief valves, or other equipment.

Listed below are important considerations for locating vent termination under a soffit (ventilated or unventilated or eave vent; or to a deck or porch):

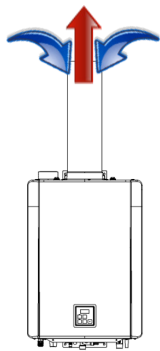
- Do not install vent termination under a soffit vent such that exhaust can enter the soffit vent.
- Install vent termination such that exhaust and rising moisture will not collect under eaves. Discoloration to the exterior of the building could occur if installed too close.
- Do not install the vent termination too close under the soffit where it could present recirculation of exhaust gases back into the intake air part of the termination.



## 4.5.4 Venting Options

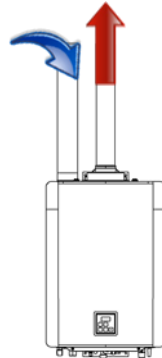
Two types of venting options are available:

### 1. Direct Vent (Concentric Pipe and Twin Pipe)



#### Concentric Pipe (Indoor)

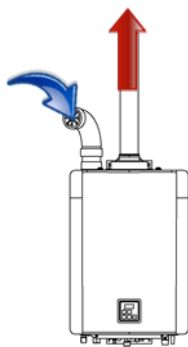
Intake air and exhaust vent directly through a single concentric connection. Hot exhaust exits through the interior tube, while intake air enters through the outer layer.



#### Twin Pipe (Indoor)

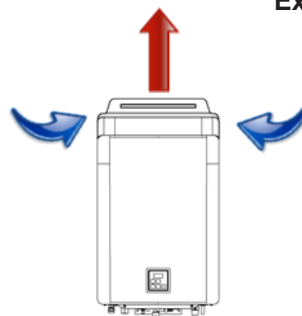
Intake air and exhaust vent directly through separate penetrations.

### 2. Non-Direct Vent (Room Air and External)



#### Room Air (Indoor)

Room air is used for combustion while exhaust vents to the outside.



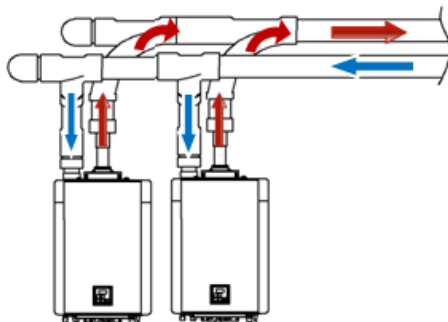
#### External (Outdoor)

Water heater with outdoor vent cap.

### 3. Common Vent (Indoor Unit Only, Direct Vent and Non/Direct/Room Air Vent)

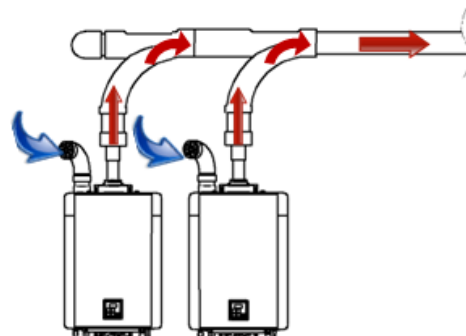
#### Direct Vent

Multiple water heaters sharing an air intake header and a separate exhaust header that vents directly through separate penetrations to the outside



#### Non-Direct (Room Air) Vent

Multiple water heaters using room air for combustion while sharing an exhaust header that vents directly to the outside.



## 1. Direct Vent (Concentric Pipe and Twin Pipe)









### Direct Vent Approved Vent Manufacturers and Products

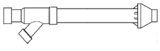
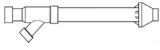







Following is a list of vent components and terminations for Direct Vent installations. Install the correct venting for your model according to the venting manufacturer's instructions and the guidelines below. The information below is correct at time of publication and is subject to change without notice. Contact the vent manufacturer for questions related to the vent system, products, part numbers and instructions.


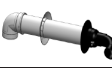





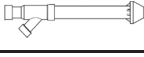



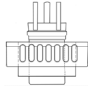

Table 7. Approved Vent Manufacturers










Manufacturer	Phone	Web Site
Ubbink	800-621-9419	www.rinnai.us
Centrotherm	877-434-3432	www.centrotherm.us.com
Heat-Fab	800-772-0739	www.heatfab.com
Metal Fab	800-835-2830	www.metal-fabinc.com
IPEX	U.S.: 800-463-9572 Canada: 866-473-9462	www.ipexamerica.com www.ipexinc.com
DuraVent	800-835-4429	www.duravent.com
Royal	800-232-5690	www.royalbuildingproducts.com
Ecco Manufacturing	877-955-4805	www.eccomfg.com
DiversiTech	800-995-2222	www.diversitech.com









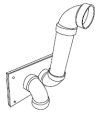



Table 8. Approved Vent Products

Manufacturer	Manufacturer Part Number	Product Description	Diagram	Horizontal	Vertical	Equivalent Length (ft)
<b>2 in. /4 in. CONCENTRIC VENT TERMINATIONS</b>						
<b>UBBINK</b>	US/Canada 229031/229012NPP	2/4 Condensing Horizontal Termination Kit 12 in.		✓		5
	US/Canada 229032/229013NPP	2/4 Condensing Horizontal Termination Kit 21 in.		✓		5
	224359/224356NPP	2/4 Condensing Roof Discharge Termination 20 in. above roof			✓	5
	710202NPP	2/4 Condensing 90 Degree Diverter Nose (Use with Wall Terminal)		✓		5
	710215NPP	2/4 Condensing 45 Degree Diverter Nose (Use with Wall Terminal)		✓		5
<b>IPEX</b>	196005, 197040	FGV Concentric Vent Kit (16 in. length)		✓	✓	20
	196005PVC (Order from Rinnai)					
	196105, 197033	FGV Concentric Vent Kit (28 in. length)		✓	✓	20
	196105PVC (Order from Rinnai)					
	196125	FGV Concentric Vent Kit (40 in. length)		✓	✓	20
196125PVC (Order from Rinnai)						

1. Direct Vent (Concentric Pipe and Twin Pipe)						
Manufacturer	Manufacturer Part Number	Product Description	Diagram	Horizontal	Vertical	Equivalent Length (ft)
2 in. /4 in. CONCENTRIC VENT TERMINATIONS <i>(continued)</i>						
ROYAL	52CVKGS6502	PVC Concentric Vent Kit 2 in. x 16 in.		✓	✓	20
	52CVKGS6502-28	PVC Concentric Vent Kit 2 in. x 28 in.		✓	✓	20
	52CVKGS6502-40	PVC Concentric Vent Kit 2 in. x 40 in.		✓	✓	20
CENTROTHERM	ICRT2439	2 in. x 4 in. Concentric Roof Termination			✓	20
DURAVENT	2PPS-VKL/VK-TCL	2 in. x 4 in. Vertical Termination Cap Kit Concentric			✓	20
	2PPS-HKL	2 in. x 4 in. Horizontal Termination Kit Concentric		✓		20
ECCO	190288	2 in. x 4 in. Concentric Horizontal Termination		✓		5
	190295	2 in. x 4 in. Concentric Vertical Termination			✓	5
DIVERSITECH	CVENT-2	2 in. Concentric Vent (Termination)		✓	✓	20

1. Direct Vent (Concentric Pipe and Twin Pipe)						
Manufacturer	Manufacturer Part Number	Product Description	Diagram	Horizontal	Vertical	Equivalent Length (ft)
<b>3 in. /5 in. CONCENTRIC VENT TERMINATIONS</b>						
<b>UBBINK</b>	223174PP 223176PP 223177PP	3/5 Condensing Horizontal Termination Kit 8 7/10 in. 3/5 Condensing Horizontal Termination Kit 12 in. 3/5 Condensing Horizontal Termination Kit 21 in.		✓		5
	223186PP	3/5 Condensing Horizontal Diverter Termination Kit 19 in.		✓		16
	224047PP	3/5 Condensing Raised Horizontal Termination Kit		✓		24
	184162PP	3/5 Condensing Roof Discharge Termination 20 in. above roof			✓	5
<b>IPEX</b>	196006, 197009	FGV Concentric Vent Kit 3 in. x 20 in.		✓	✓	20
	196006PVC (Order from Rinnai)					
	196106, 197107	FGV Concentric Vent Kit 3 in. x 32 in.		✓	✓	20
	196106PVC (Order from Rinnai)					
	196116, 197117	FGV Concentric Vent Kit 3 in. x 44 in.		✓	✓	20
196116PVC (Order from Rinnai)						
<b>ROYAL</b>	52CVKGVS6503(PVC)/ 52CVKGVSF9003(CPVC)	PVC/CPVC Concentric Vent Kit 3 in. x 20 in.		✓	✓	20
	52CVKGVS6503-32(PVC)/ 52CVKGVSF9003-32(CPVC)	PVC/CPVC Concentric Vent Kit 3 in. x 32 in.		✓	✓	20
	52CVKGVS6503-44(PVC)/ 52CVKGVSF9003-44(CPVC)	PVC/CPVC Concentric Vent Kit 3 in. x 44 in.		✓	✓	20
<b>HEAT-FAB</b>	SC03HT	Horizontal Termination Adapter		✓		20
	SC03VT	Vertical Termination Adapter			✓	20
<b>CENTRO THERM</b>	ICRT3539	3 in./5 in. Concentric Roof Termination PPs-UV			✓	20

1. Direct Vent (Concentric Pipe and Twin Pipe)						
Manufacturer	Manufacturer Part Number	Product Description	Diagram	Horizontal	Vertical	Equivalent Length (ft)
3 in. /5 in. CONCENTRIC VENT TERMINATIONS (Continued)						
<b>METAL-FAB</b>	3CGRLSV	Vertical Adapter			✓	1
	3CGRLSH	Horizontal Adapter		✓		6
	3CGRVT	Vertical Termination			✓	5
	3CGRHT	3 in. x 5 in. Horizontal Termination Cap Kit Concentric		✓		16
<b>DURAVENT</b>	3PPS-VKL/VK-TCL	3 in. x 5 in. Horizontal Termination Cap Kit Concentric			✓	20
	3PPS-HKL	3 in. x 5 in. Horizontal Termination Kit Concentric		✓		20
<b>ECCO</b>	190388	3 in. x 5 in. Concentric Horizontal Termination		✓		5
	190395	3 in. x 5 in. Concentric Vertical Termination			✓	5
<b>DIVERSITECH</b>	CVENT-3	3 in. Concentric Vent Termination		✓	✓	20

1. Direct Vent (Concentric Pipe and Twin Pipe)						
Manufacturer	Manufacturer Part Number	Product Description	Diagram	Horizontal	Vertical	Equivalent Length (ft)
2 in. TWIN PIPE TERMINATIONS						
UBBINK	223085NPP	2 in. (60) Condensing Wall Terminal Twin Pipe		✓		10
CENTROTHERM	ISELL0287UV	2 in. 87° Long PPS-UV		✓		6
	ISTT0220	2 in. Termination Tee		✓		6
	ISLPT0202	2 in. Low Profile Wall Termination		✓		5
DURAVENT	2PPS-HTPL	2 in. Twin Pipe Termination		✓		10
	2PPS-HSTL	2 in. Single Horizontal Termination		✓		6
	2PPS-TBL	2 in. Black UV Resistant Tee		✓		5
IPEX	196984	FGV PVC Low Profile Termination Kit (Order from Rinnai)		✓		5
	196984PVC					
	081216	FGV PVC Wall Termination Kit		✓		16
ROYAL	52SWVKGS6502	PVC Side Wall Vent Kits		✓		5
	52WTVKGS6502	PVC Wall Vent Kits		✓		16
DIVERSITECH	HVENT-2	2 in. Low Profile Horizontal Vent Kit		✓		5




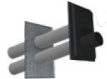



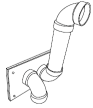



1. Direct Vent (Concentric Pipe and Twin Pipe)						
Manufacturer	Manufacturer Part Number	Product Description	Diagram	Horizontal	Vertical	Equivalent Length (ft)
<b>3 in. TWIN PIPE TERMINATIONS</b>						
<b>CENTROTHERM</b>	ISELL0387UV	3 in. 87° Long PPS-UV		✓		6
	ISTT0320	3 in. Termination Tee		✓		6
	ISLPT0303	3 in. Low Profile Wall Termination		✓		5
<b>DURAVENT</b>	3PPS-HTPL	3 in. Twin Pipe Termination		✓		10
	3PPS-HSTL	3 in. Single Horizontal Termination		✓		5
	3PPS-TBL	3 in. Black UV Resistant Tee		✓		6
<b>IPEX</b>	196985	FGV PVC Low Profile Termination Kit		✓		5
	196985PVC (Order from Rinnai)					
	081219	FGV PVC Wall Termination Kit		✓		16
<b>ROYAL</b>	52SWVKGVS6503	PVC Side Wall Vent Kits		✓		5
	52WTVKGVS6503	PVC Wall Vent Kits		✓		16
<b>DIVERSITECH</b>	HVENT-3	3 in. Low Profile Horizontal Vent Kit		✓		5

Table 9. Various 2 in. or 3 in. Schedule 40 PVC/ CPVC Terminations



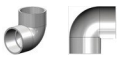
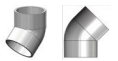
Product Descriptions	Diagram	Horizontal	Vertical	2 in. Equivalent Length	3 in. Equivalent Length
Vent Screen		✓	✓	N/A	N/A
Tee		✓	✓	5 ft	5 ft
90° Elbow		✓	✓	6 ft	5 ft
45° Elbow		✓	✓	3 ft	2.5 ft

Table 10. Acceptable and Not Acceptable Elbows




Acceptable	Acceptable	Not Acceptable
90° Elbows, Long Sweep	90° Elbows, Short Sweep	90° Elbows, Close Turn
		

Table 11. Approved PVC/CPVC Vent and Air Piping Material

Approved PVC/CPVC Vent and Air Piping Material			
Item	Material	Standard for Installation in North America	
		United States	Canada
<b>Thermoplastic Piping Materials</b>			
Air Intake and Exhaust Pipe and Fittings	PVC Schedule 40	ANSI/ASTM D1785	Thermoplastic vent pipe must be certified to ULC S636. Intake pipe may be of the materials listed in this table.
	PVC-DWV	ANSI/ASTM D2665	
	CPVC Schedule 40	ANSI/ASTM F441	
PVC Pipe Cement and Primer	PVC	ANSI/ASTM D2564	
	CPVC Schedule 40	ANSI/ASTM F493	
<b>Non-Metallic Vent Material</b>			
Vent or Air Intake Pipe and Fittings	ABS SCH 40 DWV	ASTM-D2661 or CSA B181.1	NOT PERMITTED (FOR EXHAUST)
<b>PVC Vent Screens</b>			
Termination Vent Screens	Polyethylene	2 in. Vent Screens (included in carton box) (IPEX Part Number: 196050) 3 in. Vent Screens (IPEX Part Number: 196051)	

Exhaust piping must be of solid core material. Refer to the PVC/CPVC manufacturer for appropriate fittings, solvents or joining methods.

Table 12. Approved Venting Materials By Manufacturer

Manufacturer	Vent Material
Ubbink	PVC (Outer Vent), Polypropylene (Inner Vent)
Centrotherm	Polypropylene
Heat-Fab	Stainless Steel
Metal Fab	Galvanized steel (Outer Vent), Stainless Steel (Inner Vent)
IPEX	PVC/CPVC
DuraVent	Polypropylene
Royal	PVC
ECCO Manufacturing	Polypropylene
DiversiTech	PVC/CPVC



## 4.5.5 Direct Vent (Concentric and Twin Pipe): Termination Clearances

The information below applies to Concentric and Twin Pipe:

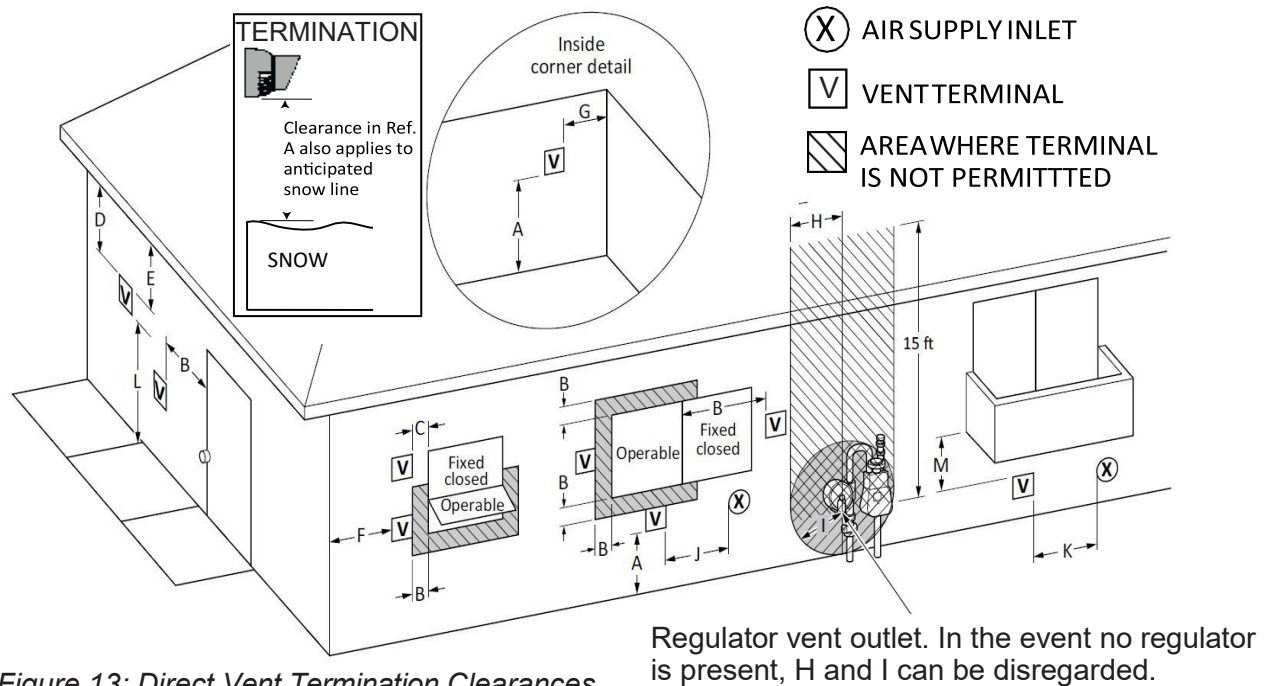


Table 13. Clearances

Ref	Description	Canadian Installations <sup>1</sup> (CSA B149.1)	U.S. Installations <sup>2</sup> (ANSI Z223.1/NFPA 54)
		Direct Vent (Indoor Unit)	Direct Vent (Indoor Unit)
A	Clearance above grade, veranda, porch, deck, or balcony	12 in. (30 cm)	12 in. (30 cm)
B	Clearance to window or door that may be opened	36 in. (91 cm)	12 in. (30 cm)
C	Clearance to permanently closed window	*	*
D	Vertical clearance to ventilated soffit, located above the terminal within a horizontal distance of 2 ft (61 cm) from the center line of the terminal	*	*
E	Clearance to unventilated soffit	*	*
F	Clearance to outside corner	*	*
G	Clearance to inside corner	*	12 in.
H	Clearance to each side of center line extended above meter/regulator assembly	3 ft. (91 cm) within a height of 15 ft. (4.6 m)	*
I	Clearance to service regulator vent outlet	3 ft. 91 cm)	*
J	Clearance to non-mechanical air supply inlet to building or the combustion air inlet to any other appliance	36 in. (91 cm)	12 in. (30 cm)
K	Clearance to a mechanical air supply inlet	6 ft (1.83 m)	3 ft (91 cm) above if within 10 ft (3m) horizontally
L	Clearance above paved sidewalk or paved driveway located on public property	7 ft (2.13 m) [1]	Vents for Category II and IV appliances cannot be located above public walkways or other areas where condensate or vapor can cause a nuisance or hazard.
M	Clearance under veranda, porch, deck, or balcony	12 in. (30 cm) [2]	*

<sup>1</sup> In accordance with the current CSA B149.1, Natural Gas and Propane Installation Code.

<sup>2</sup> In accordance with the current ANSI Z223.1/NFPA 54, National Fuel Gas Code.

If locally adopted installation codes specify clearances different than those illustrated, then the most stringent clearance shall prevail.

Clearance to opposite wall is 24 in. (60 cm).	
[1] A vent shall not terminate directly above a sidewalk or paved driveway that is located between two single family dwellings and serves both dwellings. [2] Permitted only if veranda, porch, deck, or balcony is fully open on a minimum of two sides beneath the floor.	*Clearances are in accordance with local installation codes and the requirements of the gas supplier. ( <i>Dégagement conforme aux codes d'installation locaux et aux exigences du fournisseur de gaz.</i> )

## 1. Direct Vent (Concentric Pipe)

### Concentric Pipe Overview

Intake air and exhaust vent directly through a single concentric connection. Hot exhaust exits through the interior tube, while fresh air enters through the outer layer.

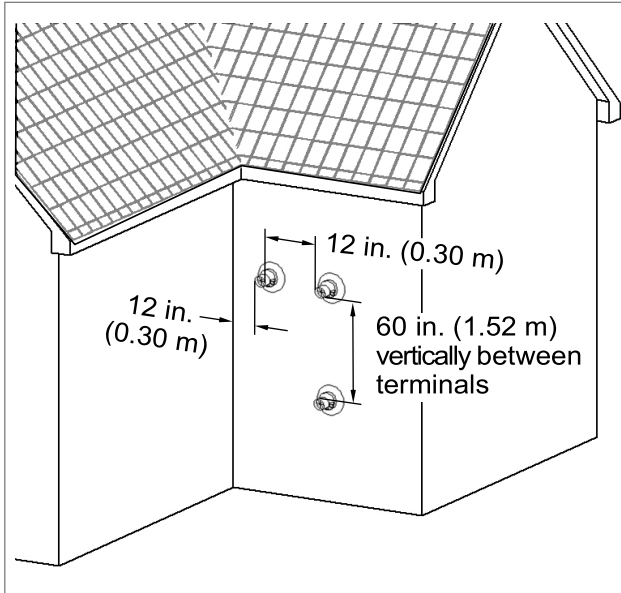


Figure 14: Concentric Pipe Termination Clearances

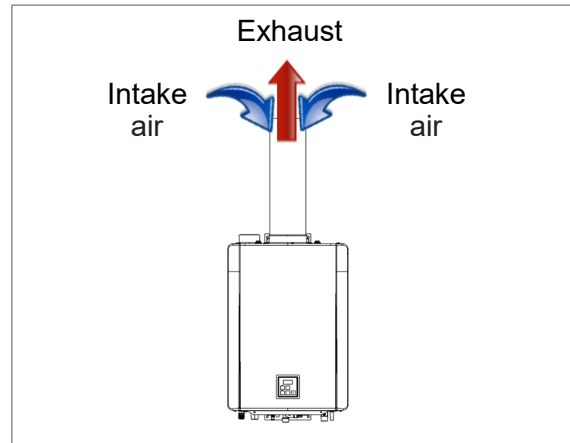


Figure 15: Concentric Pipe

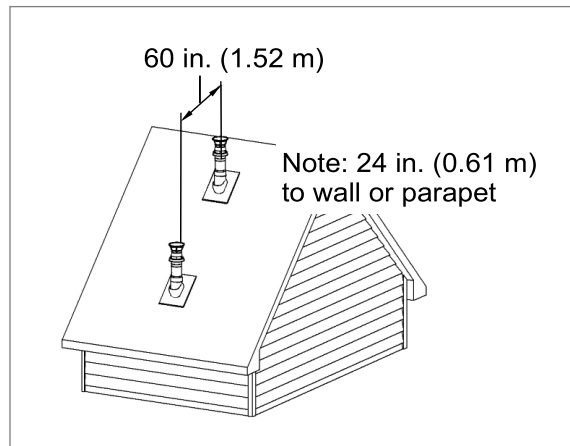


Figure 16: Between terminals at different levels

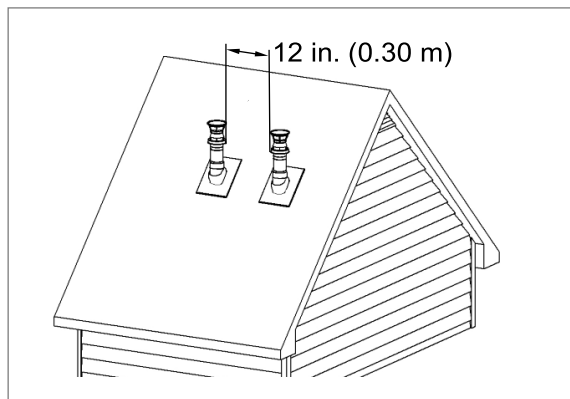


Figure 17: Between terminals at same level

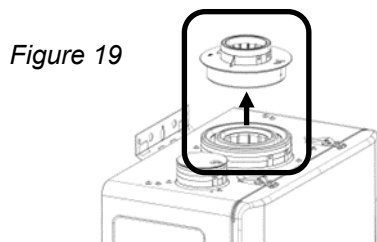
All terminations (horizontal and/or vertical) must terminate 12 in. (0.30 m) above grade or anticipated snow level.

## Concentric Pipe: Installation Instructions

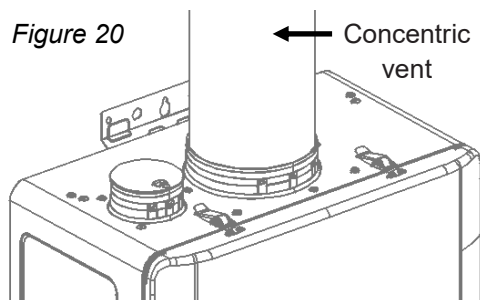
1. Remove and discard screw from concentric flue connection.



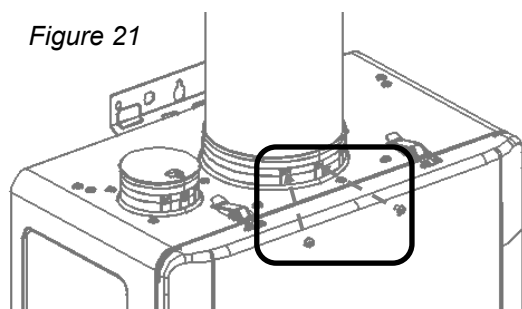
2. Remove exhaust adapter ring (discard for concentric venting configurations.)



3. Install the concentric vent. Ensure it is properly seated.



4. Secure the vent pipe to the concentric flue connection with the supplied screws.



### IMPORTANT

Install the venting termination according to the diagrams and instructions in this manual. Slope the venting 1/4 in. per foot (21 mm per meter) toward the appliance according to the vent manufacturer's installation instructions. Dispose of condensate per local codes.

## Mount Concentric Pipe Through Wall

If venting behind the unit through an exterior wall, align the wall mounting bracket template (located in literature bag) to the wall and follow instructions on the template for appropriate vent hole location. Use a level to make sure the wall mounting bracket is even and level.

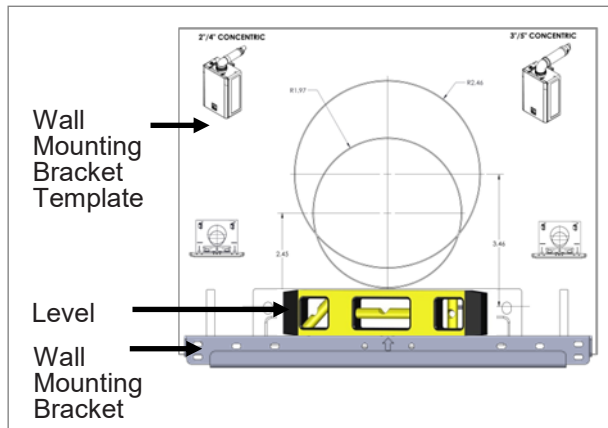


Figure 22

Table 14. Terminations

Horizontal Wall Terminations	Vertical Roof Terminations
2 in. x 4 in. 	2 in. x 4 in. and 3 in. x 5 in. 
3 in. x 5 in. 	

Table 15. Concentric Pipe: Maximum Vent Length

Vent Sizes	2 in / 4 in (51 mm/100 mm)	3 in / 5 in (76 mm/125 mm)
Vent Lengths	75 ft (23 m)	150 ft (46 m)
45° Elbow	3 ft (1 m)	2.5 ft (0.7 m)
90° Elbow	6 ft (2 m)	5 ft (1.5 m)

# 1. Direct Vent (Twin Pipe)

## Twin Pipe Overview

Intake air and exhaust vent directly through separate penetrations.

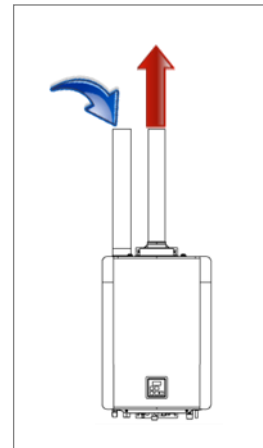


Figure 23

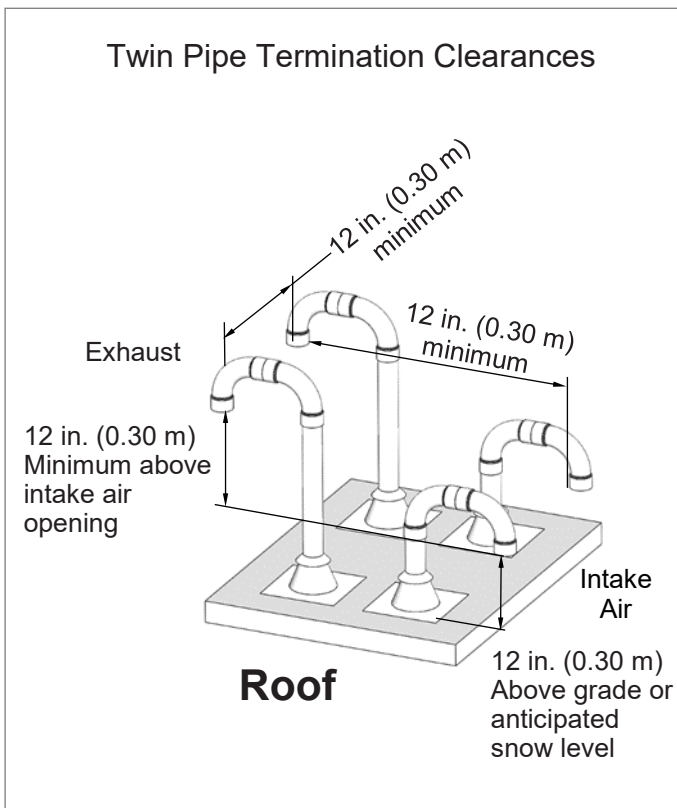


Figure 24: Twin Pipe Vertical Termination of Multiple Water Heaters

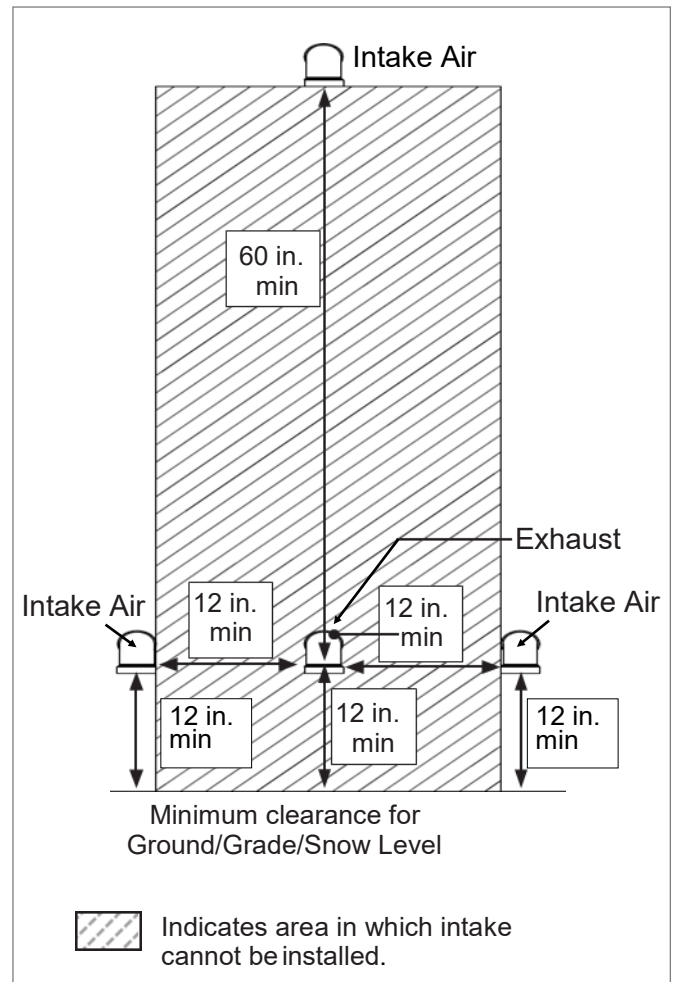


Figure 25: Horizontal Vent and Intake Air Piping

## 1. Direct Vent (Twin Pipe)

### Twin Pipe Installation Instructions

The water heater is equipped with a 2 in. (51 mm) pipe connection. With the use of a pipe reducer, installers can use a 3 in. (76 mm) pipe for the Intake air and exhaust. In this case, a 2 in./3 in. pipe reducer should be installed as close as possible to the water heater.

#### **WARNING**

DO NOT apply PVC glues, solvents, or cleaners to the water heater's intake air or exhaust gasket connections. Failure to correctly assemble the components according to these instructions may result in property damage, personal injury, or death.

1. Remove and discard the screw from the intake air vent connection.

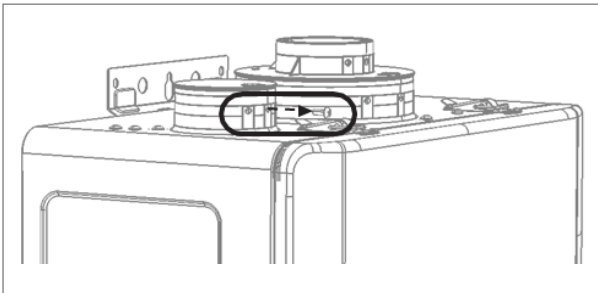


Figure 26

2. Remove and discard the intake air vent cap.

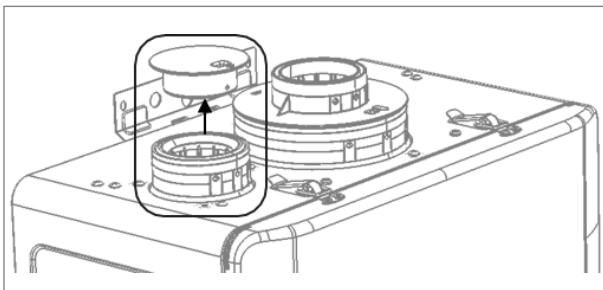


Figure 27

3. Install the intake air vent pipe. Ensure it is properly seated.

Secure the intake air vent pipe to the intake air vent connection with the supplied screws.

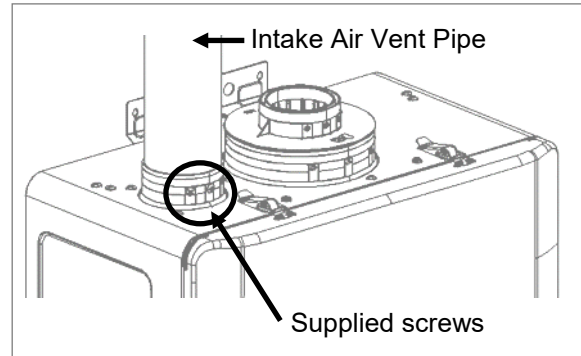


Figure 28

4. Install the exhaust vent pipe. Ensure it is properly seated.

Secure the exhaust vent pipe to the exhaust adapter ring with the supplied screws.

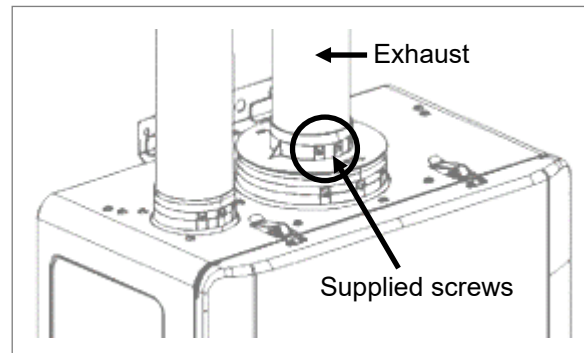




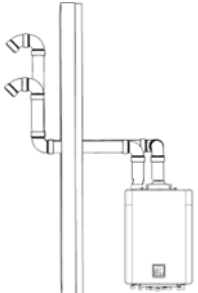
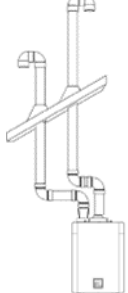
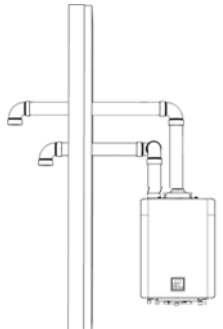
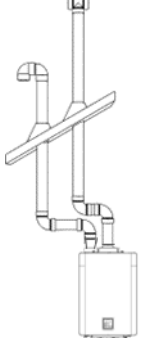
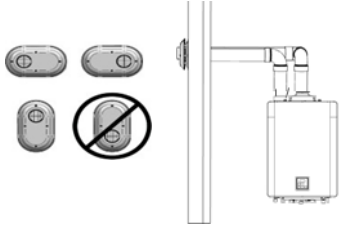
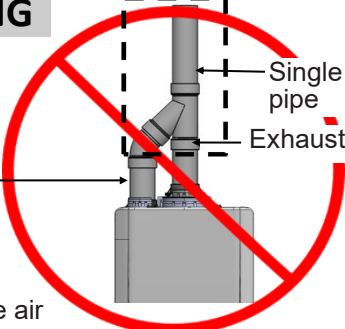
Figure 29

# 1. Direct Vent (Twin Pipe)

## Twin Pipe Example Vent Applications

Slope horizontal exhaust 1/4 in. per foot (21 mm per meter) towards the water heater. DO NOT slope intake air pipe towards the water heater.

Table 16

<p><b>This configuration requires the use of a Concentric Vent Termination</b></p> <p>2 in. or 3 in. PVC/ CPVC IPEX/ Royal Concentric Side Wall Termination Configuration</p> 	<p><b>This configuration requires the use of a Concentric Vent Termination</b></p> <p>2 in. or 3 in. PVC/CPVC IPEX/ Royal Concentric Vertical Termination Configuration</p> 
<p>2 in. or 3 in. Schedule 40 PVC/CPVC or ABS Snorkel Termination Configuration</p> 	<p>2 in. or 3 in. Schedule 40 PVC/CPVC or ABS Standard upside down "U" Vertical Termination Configuration</p> 
<p>2 in. or 3 in. Schedule 40 PVC/CPVC or ABS Elbow or Tee Side Wall Termination Configuration</p> 	<p>2 in. or 3 in. Schedule 40 PVC/CPVC or ABS Tee Vertical Termination Configuration</p> 
<p>2 in. or 3 in. PVC Low Profile Termination Configuration</p> 	<p><b>WARNING</b></p> <p>Exhaust and intake air MUST NOT be brought together into a single PVC pipe using a pipe fitting.</p>  <p>Single pipe</p> <p>Exhaust</p> <p>Intake air</p>

## Twin Pipe Maximum Vent Length

Table 17. Twin Pipe Maximum Equivalent Length

Vent Sizes	2 in. (51 mm)	3 in. (76 mm)
Vent Lengths	75 ft (23 m)	150 ft (46 m)
45° Elbow	3 ft (1 m)	2.5 ft (0.7 m)
90° Elbow	6 ft (2 m)	5 ft (1.5 m)

## 2. Non-Direct Vent (Room Air and External)

### Room Air and External Termination Clearances

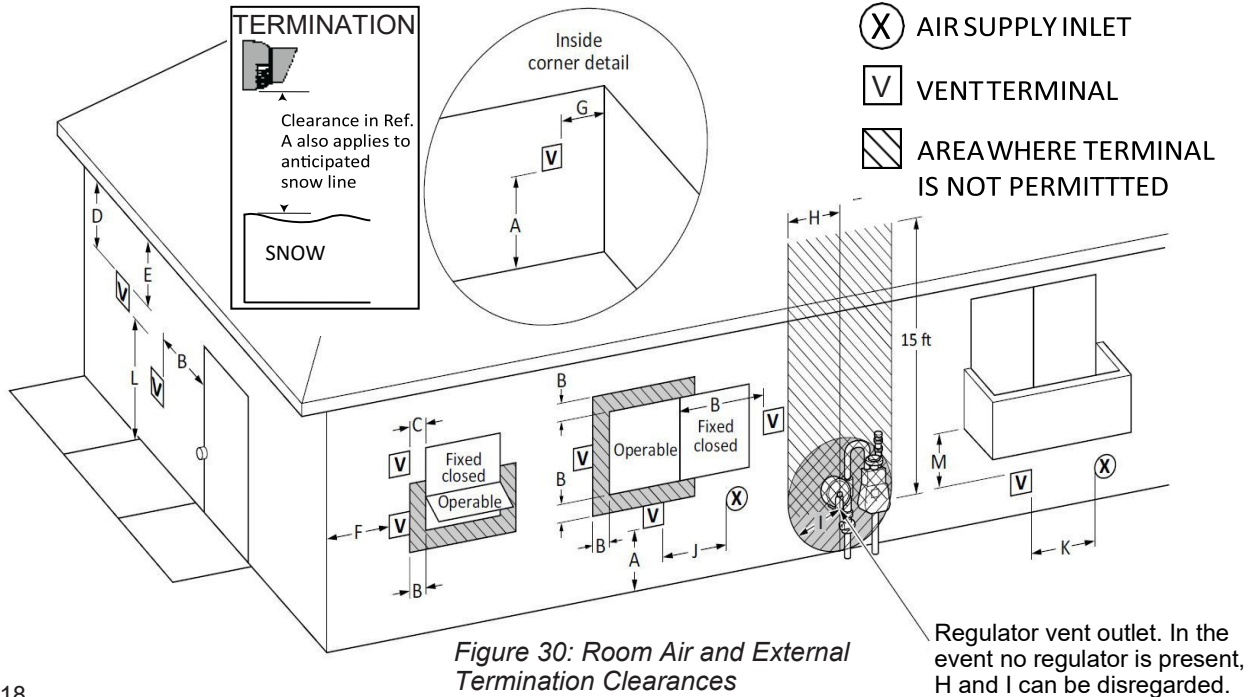


Table 18

Ref	Description	Canadian Installations <sup>1</sup> (CSA B149.1)	U.S. Installations <sup>2</sup> (ANSI Z223.1/NFPA 54)
		Other than direct vent (Outdoor unit and/or Room Air)	Other than direct vent (Outdoor unit and/or Room Air)
A	Clearance above grade, veranda, porch, deck, or balcony	12 in. (30 cm)	12 in. (30 cm)
B	Clearance to window or door that may be opened	36 in. (91 cm)	4 ft (1.2 m) below or to side of opening; 1 ft (300 mm) above opening
C	Clearance to permanently closed window	*	*
D	Vertical clearance to ventilated soffit, located above the terminal within a horizontal distance of 2 ft (61 cm) from the center line of the terminal	*	*
E	Clearance to unventilated soffit	*	*
F	Clearance to outside corner	*	*
G	Clearance to inside corner	*	12 in.
H	Clearance to each side of center line extended above meter/regulator assembly	3 ft. (91 cm) within a height 15 ft. (4.6 m)	*
I	Clearance to service regulator vent outlet	3 ft. (91 cm)	*
J	Clearance to nonmechanical air supply inlet to building or the combustion air inlet to any other appliance	36 in. (91 cm)	4 ft (1.2 m) below or to side of opening; 1 ft (300 mm) above opening
K	Clearance to a mechanical air supply inlet	6 ft (1.83 m)	3 ft (91 cm) above if within 10 ft (3 m) horizontally
L	Clearance above paved sidewalk or paved driveway located on public property	7 ft (2.13 m) [1]	Vents for Category II and IV appliances cannot be located above public walkways or other areas where condensate or vapor can cause a nuisance or hazard.
M	Clearance under veranda, porch, deck, or balcony	12 in. (30 cm) [2]	*

<sup>1</sup> In accordance with the current CSA B149.1, Natural Gas and Propane Installation Code.

<sup>2</sup> In accordance with the current ANSI Z223.1/NFPA 54, National Fuel Gas Code.

If locally adopted installation codes specify clearances different than those illustrated, then the most stringent clearance shall prevail.

#### Clearance to opposite wall is 24 in (60 cm).

[1] A vent shall not terminate directly above a sidewalk or paved driveway that is located between two single family dwellings and serves both dwellings.  
[2] Permitted only if veranda, porch, deck, or balcony is fully open on a minimum of two sides beneath the floor.

\*Clearances are in accordance with local installation codes and the requirements of the gas supplier. (Dégagement conforme aux codes d'installation locaux et aux exigences du fournisseur de gaz.)

**NOTE**

- Installation of Non-Direct Vent (Room Air) must use listed category IV venting.
- All terminations (horizontal and/or vertical) must terminate 12 in. (30 cm) above grade or anticipated snow level.

**Exhaust Termination Clearances for Internal (Indoor) Room Air Applications**

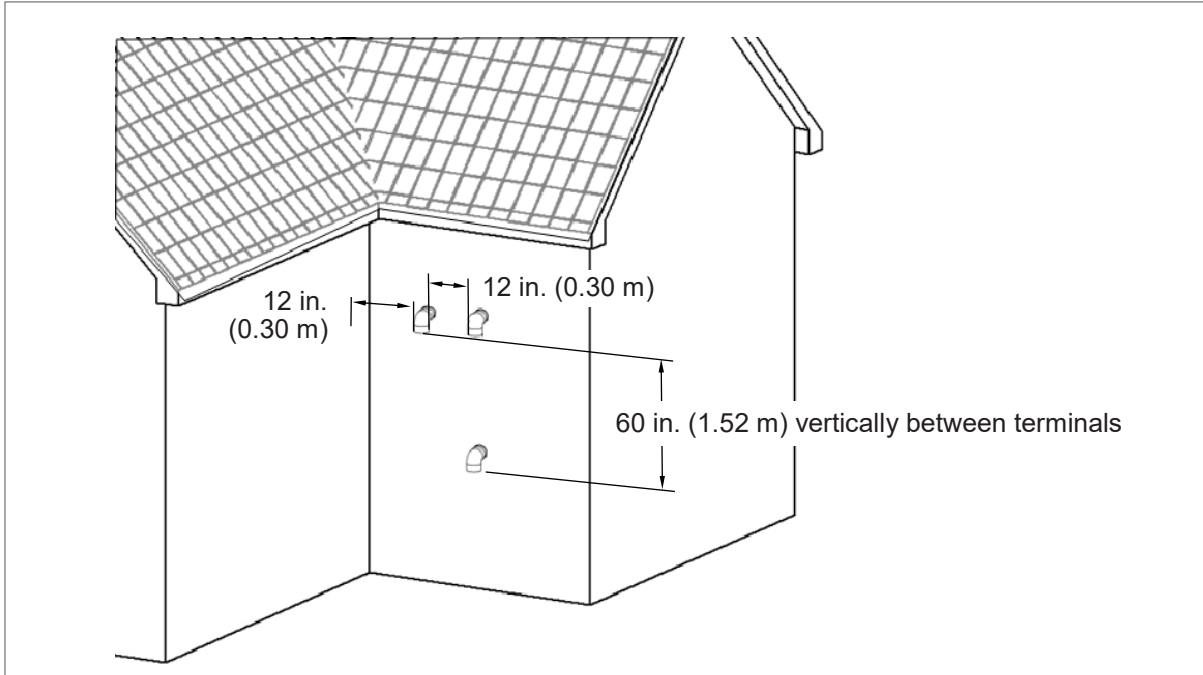


Figure 31

**Termination Clearances for External (Outdoor) Installations**

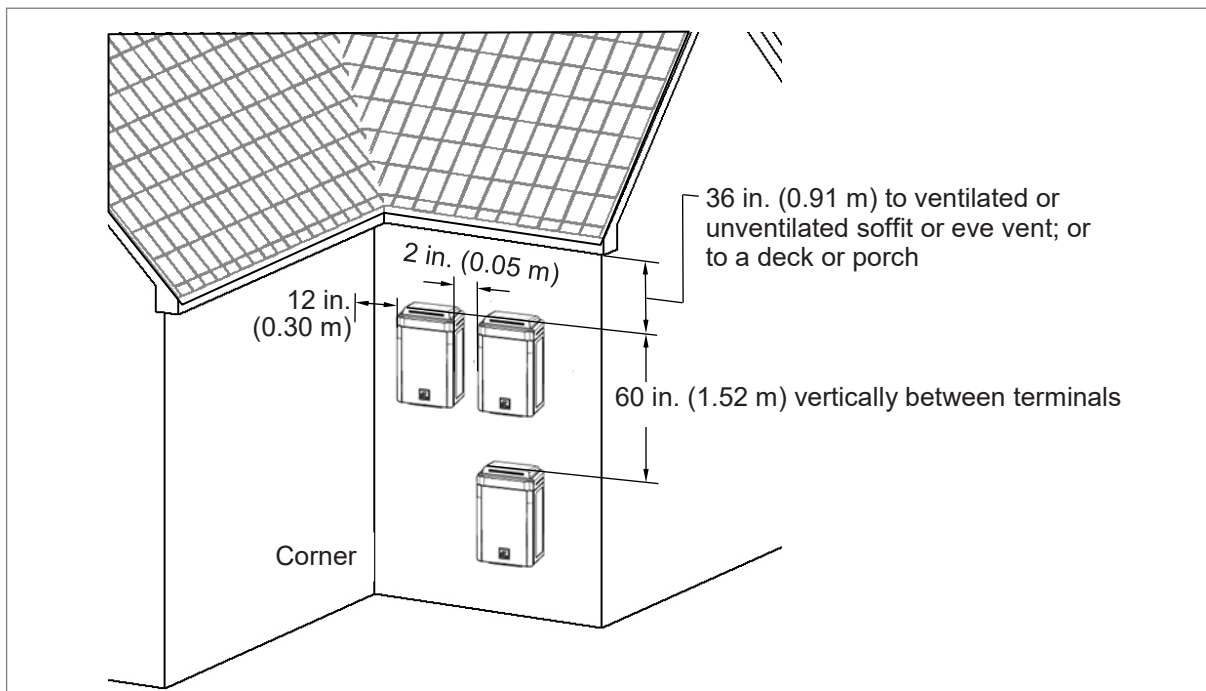


Figure 32



## Room Air: Intake Air



### **WARNING**

This water heater requires adequate air for ventilation and dilution of flue gases. Failure to provide adequate air can result in unit failure, fire, explosion, serious bodily injury or death. Use the following methods to ensure adequate air is available for correct and safe operation of this water heater.



### **IMPORTANT**

Intake air must be free of corrosive chemicals. Do not provide air from corrosive environment. Appliance failure due to corrosive air is not covered by warranty.

For applications containing corrosive indoor air, this appliance must be installed as direct vent. DO NOT use room air in applications where intake air contains acid forming chemicals such as sulfur, fluorine and chlorine. These chemicals have been found to cause rapid damage and decay and can become toxic when used as intake air for gas appliances. Such chemicals can be found in, but not limited to bleach, ammonia, cat litter, aerosol sprays, cleaning solvents, varnish, paint and air fresheners. Do not store these products or similar products in the vicinity of this water heater.

### **Unconfined Space**

An unconfined space is defined in National Fuel Gas Code, ANSI Z223.1/NFPA 54 as “a space whose volume is not less than 50 cubic feet per 1000 Btu/hr (4.8 m<sup>3</sup> per kW per hour) of the aggregate input rating of all appliances installed in that space. Rooms communicating directly with the space in which the appliances are installed, through openings not furnished with doors, are considered a part of the unconfined space.” If the “unconfined space” containing the appliance(s) is in a building with tight construction, additional outside air may be required for proper operation. Outside air openings should be sized the same as for a confined space.

### **Confined Space**

A confined space is defined in the National Fuel Gas Code, ANSI Z223.1/NFPA 54 as “a space whose volume is less than 50 cubic feet per 1000 Btu/hr (4.8 m<sup>3</sup> per kW per hour) of the aggregate input rating of all appliances installed in that space.” Examples include a small room, closet, alcove, utility room, etc. A confined space must have two intake air openings. Size the intake air openings based on the BTU input for all gas utilization equipment in the space and the method by which intake air is supplied.

Using Indoor Air For Combustion: When using air from other room(s) in the building, the total volume of the room(s) must be of adequate volume (Greater than 50 cubic feet per 1000 Btu/hr). Intake air openings between joining rooms must have at least 1 square inch of free area for each 1000 Btu/h, but not less than 100 square inches each.

### **Using Outdoor Air For Combustion**

Outdoor air can be provided to a confined space through two permanent openings, one commencing within 12 in. (0.30 m) of the top and one commencing within 12 in. (0.30 m) of the bottom, of the confined space. The openings shall communicate to the outside by one of two ways.

When communicating directly with the outdoors through horizontal ducts, each opening shall have a minimum free area of 1 in.<sup>2</sup>/2000 Btu/hr (1100 mm<sup>2</sup>/kW) of total input rating of all appliances in the confined space.



### **NOTE**

If ducts are used, the cross sectional area of the duct must be greater than or equal to the required free area of the openings to which they are connected.

## Louvers and Grills

Adequate air is required for all gas utilizing equipment in the location. Therefore, proper sizing of permanent openings, such as louvers or grills, must be considered to maintain the required free area. If the free area of the louver or grill design is not available, assume wood louvers will have 25% free area and metal louvers or grills will have 75% free area. Under no circumstance should the louver, grill or screen have openings smaller than 1/4 in.

Example for a grill with dimensions as shown in Figure 33:

Wood: 10 in. x 12 in. x 0.25 = 30 in.<sup>2</sup>

Metal: 10 in. x 12 in. x 0.75 = 90 in.<sup>2</sup>

### Location

To maintain proper circulation of air, two permanent openings (one upper, one lower) must be positioned in confined spaces. The upper shall be within 12 in. (0.30 m) of the top of the confined space and the lower opening shall be within 12 in. (0.30 m) of the bottom of the confined space. Openings must be positioned as to never be obstructed.

Combustion air provided to the appliance should not be taken from any area of the structure that may produce a negative pressure (i.e. exhaust fans, powered ventilation fans).

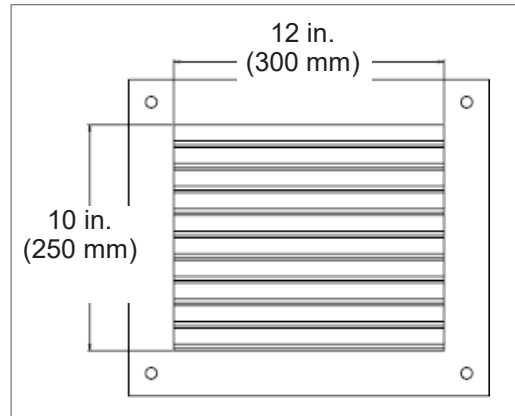


Figure 33



### WARNING

To prevent possible personal injury or death due to asphyxiation, common venting with other manufacturer's induced draft appliances is not allowed.

### Checklist for Intake Air and Venting Requirements

<input type="checkbox"/>	Verify all combustion air opening sizes are correct.
<input type="checkbox"/>	Ensure that the combustion air requirements are followed that will provide sufficient combustion air for the appliance.
<input type="checkbox"/>	DO NOT use room air for combustion in applications where the indoor air is corrosive.
<input type="checkbox"/>	Verify that adequate combustion air is available for all appliances installed in the space.
<input type="checkbox"/>	Installation complies with National Fuel Gas Code, ANSI Z223.1/NFPA 54 as well as local and state regulations therein.

## Room Air: Installation Instructions

1. Remove and discard screw from combustion air vent connection.

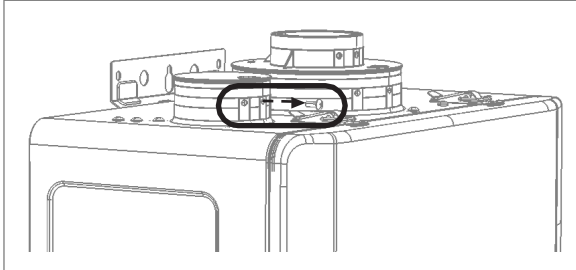


Figure 34

2. Remove and discard the combustion air vent cap.

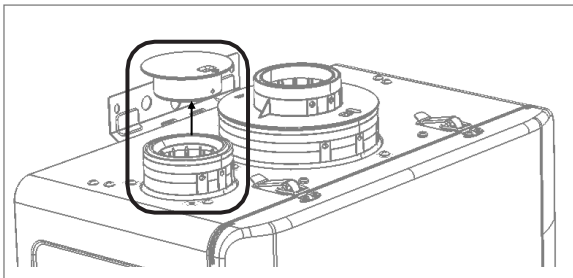


Figure 35

3. Install the intake air pipe. Ensure it is properly seated.  
Secure the intake air pipe to the combustion air vent connection with the supplied screws.

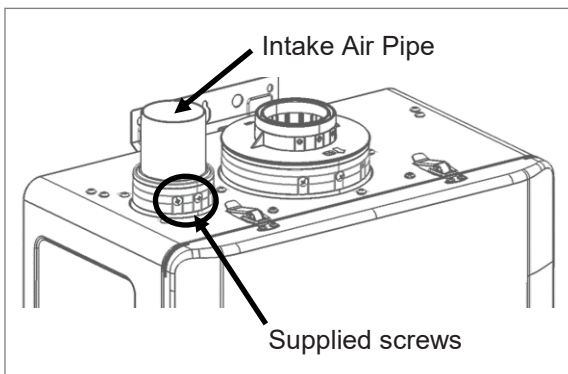


Figure 36

4. Place the vent screen or room air screen inside elbow and secure with the supplied screw. Use the room air screen for environments where room air is dusty.

### Notes:

- 2 in vent screen supplied with water heater.
- Room air screen is available as an accessory.

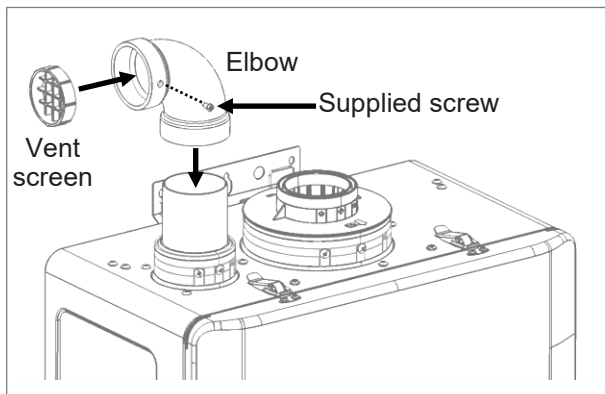


Figure 37

5. Install the exhaust vent pipe. Ensure it is properly seated.

Secure the exhaust vent pipe to the exhaust adapter ring with the supplied screws.

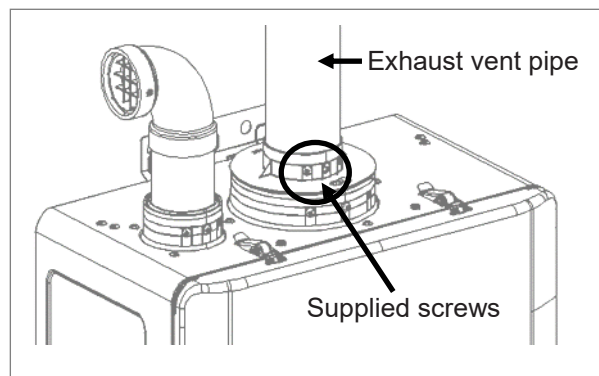
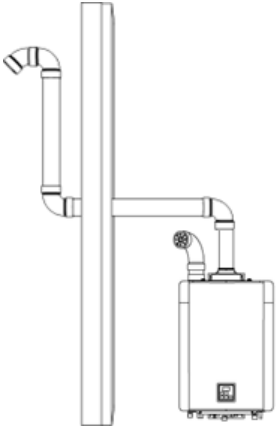

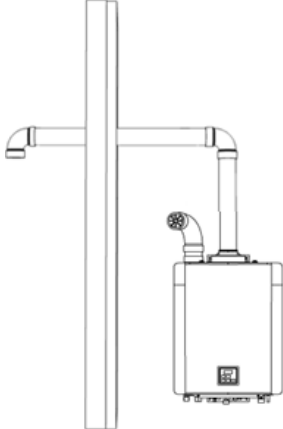





Figure 38

## Room Air: Example Vent Applications

<p>2 in. or 3 in. Schedule 40 PVC/CPVC or ABS Snorkel Termination Configuration</p> 	<p>2 in. or 3 in. Schedule 40 PVC/CPVC or ABS Standard Upside Down "U" Vertical Termination configuration</p> 
<p>2 in. or 3 in. Schedule 40 PVC/CPVC or ABS Elbow or Tee Side Wall Termination Configuration</p> 	<p>2 in. or 3 in. Schedule 40 PVC/CPVC or ABS Tee Vertical Termination Configuration</p> 
<p>Ubbink flexible venting approved for vertical non-direct vent (room air) applications only. Refer to the flex vent manual for further details.</p> <p>PP Flex Venting</p>   <p>Slope horizontal exhaust 1/4 in. per foot (21 mm per meter) towards the water heater.</p>	

## Room Air: Maximum Vent Length

Table 19. Room Air Maximum Equivalent Length

Vent Sizes	2 in. (51 mm)	3 in. (76 mm)	3 in. (76 mm) Ubbink Flex
Vent Length	75 ft (23 m)	150 ft (46 m)	50 ft. (15 m)
45° Elbow	3 ft (1 m)	2.5 ft (0.7 m)	
90° Elbow	6 ft (2 m)	5 ft (1.5 m)	

## Room Air: Manufactured (Mobile) Home

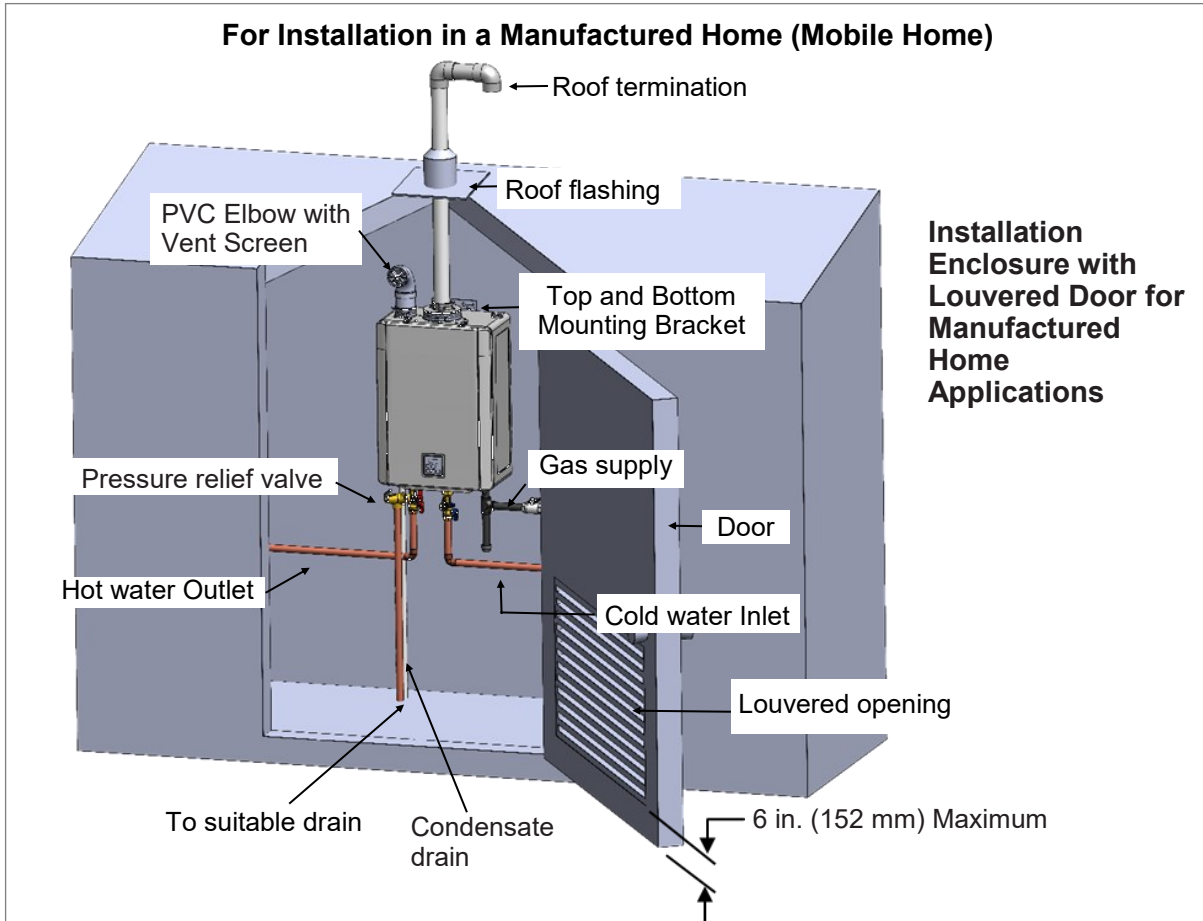


Figure 39

- Combustion air must not be supplied from occupied spaces of the manufactured home. Access panels, doors or opening of any kind are not permitted between the installation enclosure and the inside of the manufactured home.
- The installation enclosure must include an exterior access door incorporating a single opening positioned a maximum of 6 in. (152 mm) above the lower edge of the door. The opening in the access door must be metal with no less than 1/4 in. (6.4 mm) mesh.
- The water heater is to be secured to the wall of the manufactured home using the integrated mounting brackets on the back side of the water heater.

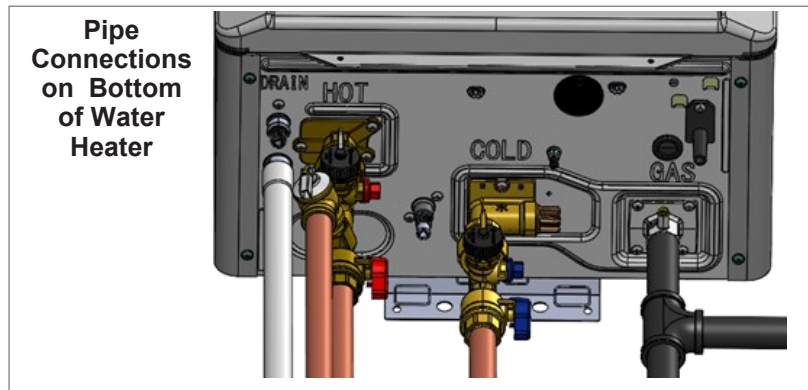


Figure 40

Use the following table to identify the minimum required size of the opening in the access door.

Table 20

Model	Input Btu/h	Minimum Required Area	Example Opening Size (LxH)
RX199i RXP199i	199,000	200 in <sup>2</sup> (0.129 m <sup>2</sup> )	20 in. x 10 in. (508 mm x 254 mm)
RX180i	180,000	180 in <sup>2</sup> (0.116 m <sup>2</sup> )	18 in. x 10 in. (457 mm x 254 mm)
RX160i RXP160i	160,000	160 in <sup>2</sup> (0.103 m <sup>2</sup> )	16 in. x 10 in. (406 mm x 254 mm)
RX130i	130,000	130 in <sup>2</sup> (0.084m <sup>2</sup> )	13 in. x 10. (330 mm x 254 mm)

### 3. Common Vent (Indoor Units Only. Direct Vent and Non-Direct/Room Air Vent)

Common venting allows multiple Rinnai Tankless Water Heaters to share the same vent system. When operating multiple water heaters in a common venting system, it is recommended to use Rinnai's EZConnect™ cable (purchased separately) which electronically connects two water heaters so they function as one hot water source.

Note: Multiple RXP models (water heaters with a recirculation pump) cannot be electronically connected using the EZConnect™ cable. The EZConnect™ cable connects only an RXP model with an RX model. See illustration below.

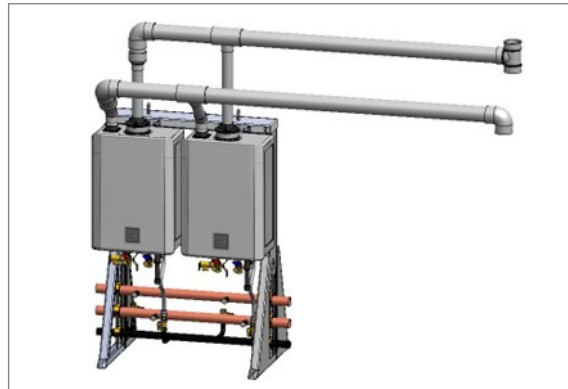


Figure 41: Sample Inline, Freestanding Configuration

Note: For common venting three or more units, refer to the “Common Vent Installation Instructions.”

Table 21. Primary and Secondary Water Heaters

	Primary	Secondary
Correct	RXP199i (With Pump)	RX199i (Without Pump)
	RX199i (Without Pump)	RX199i (Without Pump)
Not Correct	RXP199i (With Pump)	RXP199i (With Pump)
	RX199i (Without Pump)	RXP199i (With Pump)

### Common Vent Maximum Equivalent Vent Lengths

Common vent equivalent lengths include polypropylene pipe (PP) or PVC in a back-to-back or inline configuration.

For the table below:

- Header is the main vent pipe into which several vents connect.
- Vent Length is the distance from the end of the header to the vent termination
- Maximum vent length starts at the end of the header system.

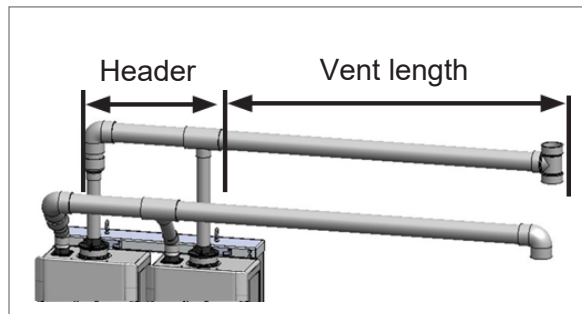


Figure 42

Table 22. Common Vent Maximum Vent Length

Water Heater Model	# Water Heaters	Max System Btu/hr	Vent Diameter		
			3 in.	4 in.	6 in.
RX199i, RXP199i	2	398,000	65 ft (20 m)	150 ft (46 m)	150 ft (46 m)
RX180i	2	360,000			
RX160i, RXP160i	2	320,000	90 ft (27 m)	150 ft (46 m)	150 ft (46 m)
RX130i	2	260,000			

# 4.6 Connect the Water Supply

## 4.6.1 Guidelines

- The piping (including soldering materials) and components connected to this appliance must be approved for use in potable water systems.
- Purge the water line to remove all debris and air. Debris will damage the water heater.
- The appliance must not be connected to a system that was previously used with a non-potable water heating appliance.
- Ensure that the water filter on the water heater is clean and installed.
- DO NOT introduce toxic chemicals such as those used for boiler water treatment to the potable water used for space heating.
- Verify water pressure meets requirements.

## 4.6.2 Instructions

To connect the water supply, follow the instructions below.



### IMPORTANT

Water connections to the water heater should follow all state and local plumbing codes. If this is a standard installation, refer to the “Piping Diagram for Basic Installation” below.

1. Plumb the cold water supply line to the water heater on the 3/4 in. MNPT connection at the bottom of the water heater marked “COLD.”
2. Plumb the hot water supply line to the 3/4 in. MNPT connection marked “HOT.”
3. If a pipe cover will be installed, make sure water lines to the water heater fit within the confinements of the pipe cover.

### PIPING DIAGRAM FOR BASIC INSTALLATION

The condensate drain pipe (along its entire length) must be at least the same diameter as the drain line (1/2 in. NPT).

Refer to section “4.9 Connect Condensate Drain” for more information.

KEY			
	3/4" Ball Valve		Pressure Regulator
	3/4" Union		Circulating Pump
	Check Valve		Boiler Drain Valve
	Pressure Relief Valve		Solenoid Valve

This is not an engineered drawing. It is intended only as a guide and not as a replacement for professionally engineered project drawings. This drawing is not intended to describe a complete system. It is up to the contractor/engineer to determine the necessary components and configuration of the particular system being installed. This drawing does not imply compliance with local building code requirements. It is the responsibility of the contractor/engineer to ensure installation is in accordance with all local building codes. Confer with local building officials before installation.

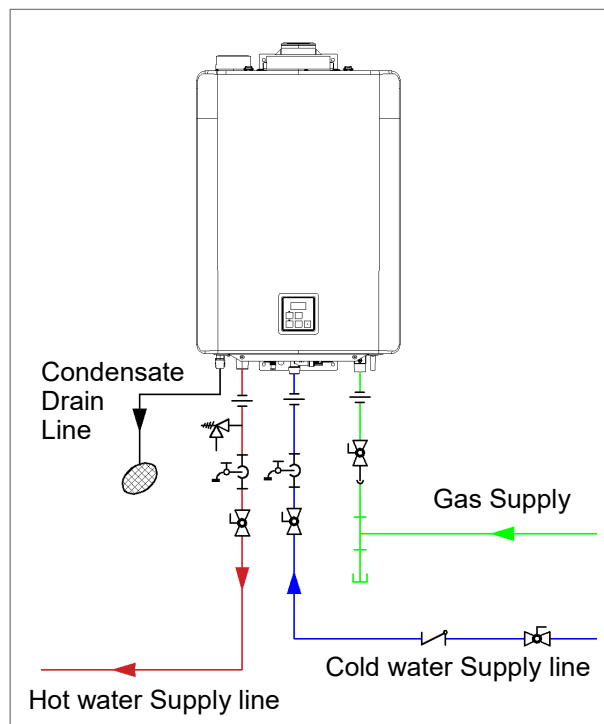



Figure 43

## 4.7 Install the Isolation Valves

Isolation valves are not supplied with the water heater, but it is highly recommended to install the isolation valves. The isolation valves (part number MIVK-T-LW) provide the ability to isolate the water heater from the structure's plumbing and allow quick and easy access to flush the heat exchanger. The isolation valves must meet American National Standard (ANSI Z21.10.3) / Canadian Standard (CSA 4.3).

## 4.8 Install the Pressure Relief Valve

 **WARNING** Water discharged from the pressure relief valve could cause severe burns instantly or death from scalds.

### 4.8.1 Guidelines

An approved pressure relief valve is required by the American National Standard (ANSI Z21.10.3) for all water heating systems and shall be accessible for servicing. When connecting a pressure relief valve, follow the guidelines below:

- The pressure relief valve must comply with the standard for Relief Valves for Hot Water Supply System, ANSI Z21.22/CSA 4.4 or the ANSI/ASME Boiler and Pressure Vessel Code Section IV.
- The pressure relief valve must be rated up to 150 psi and to at least the maximum Btu/hr of the appliance.
- The discharge from the pressure relief valve should be piped to the ground or into a drain system per local codes.
- The pressure relief valve must be manually operated once a year to check for correct operation.
- The discharge line from the pressure relief valve should pitch downward and terminate 6 in. (152 mm) above drains where discharge will be clearly visible.

- The discharge end of the line shall be plain (unthreaded) and a minimum of 3/4 in. nominal pipe diameter. The discharge line material must be suitable for water at least 180° Fahrenheit (82°C).
- The pressure relief valve must be installed near the hot water outlet.
- The pressure relief valve is connected below the appliance. DO NOT place any other valve or shut off device between the pressure relief valve and the water heater.
- For safe operation of the water heater, the pressure relief valve must not be removed or plugged.
- If a pressure relief valve discharges periodically, this may be due to thermal expansion in a closed water supply system. Contact the water supplier or local plumbing inspector on how to correct this situation. Do not plug the pressure relief valve.
- The American National Standard (ANSI Z21.10.3) does not require a combination temperature and pressure relief valve for this appliance. However, local codes may require a combination temperature and pressure relief valve.
- Protect pressure relief valve and pressure relief valve discharge line from freezing. Do not plug or restrict flow of the pressure relief valve.
- DO NOT plumb the pressure relief valve with the condensate drain; both must be plumbed independently to drain.
- DO NOT plug the pressure relief valve and do not install any reducing fittings or other restrictions in the relief line. The pressure relief line should allow for complete drainage of the valve and the line.

#### Pressure Relief Valve Maintenance:

For proper care of this approved pressure relief valve, it is recommended that the valve is manually operated once a year. In doing so, it will be necessary to take precautions with regard to the discharge of potentially scalding hot water under pressure. Ensure discharge water has a safe place to flow. Contact with your body or other property may cause damage or harm.



## 4.9 Connect the Condensate Drain

### 4.9.1 Guidelines

To prevent condensate damage, follow these guidelines:

- Do not plumb the condensate drain with the pressure relief valve; both must be plumbed independently to drain.
- All condensate must drain and be disposed of according to local codes.
- Use only corrosion resistant materials for the condensate drain lines such as PVC pipe or plastic hose.
- The condensate drain pipe (along its entire length) must be at least the same diameter as the drain line (1/2 in. MNPT).
- Condensation drain lines installed in areas that are subject to freezing temperatures should be wrapped with an approved supplemental heat source. Install per manufacturer's instructions.
- Slope the condensate drain lines toward the inside floor drain or condensate pump.
- The end of the condensate drain pipe should be open to the atmosphere. The end should not be under water or other substances.

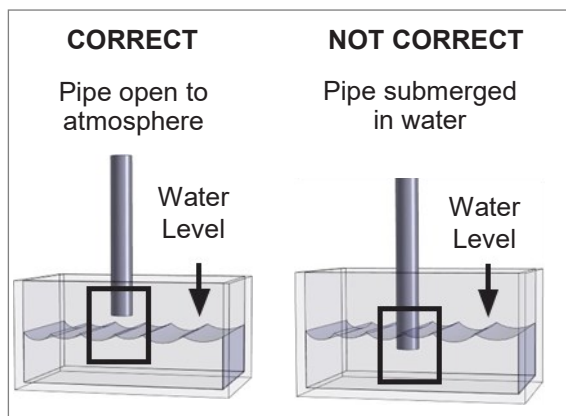


Figure 44

- For external (outdoor) installations, to minimize freezing of the condensate, run the condensate drain line through an interior wall or between insulation and an interior wall.
- If a floor drain is not available or the drain is above the level of the condensate drain, a condensate pump should be installed.

- A condensate neutralizer kit (part number 804000074) is available from Rinnai. The kit allows condensate to flow through neutralizing media that raises the pH of the condensate to a level that will help prevent corrosion of the drain and public sewer system. Refer to section "3.6 Accessories" for more information.
- The condensate drain pipe should be as short as possible and have a downward pitch.
- Pour approximately 10 ounces (1.25 cups) of water directly into the water heater's exhaust port.
- DO NOT connect the condensate drain line with an air conditioning evaporator coil drain.
- Water heaters have an integrated condensate trap. DO NOT install an external condensate trap.

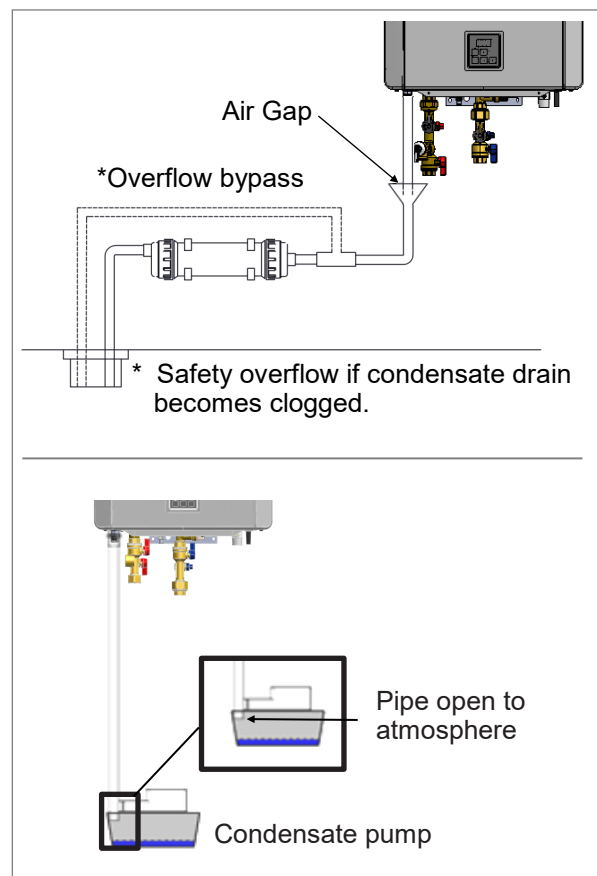


Figure 45

## 4.9.2 Instructions

To connect the condensate drain pipe:

1. Apply thread sealant to 1/2 in. MNPT condensate drain port.
2. Thread 1/2 in. NPT fitting onto condensate drain port.
3. Follow the steps in the next section: "Condensate Pump Safety Switch Wiring" (if needed).

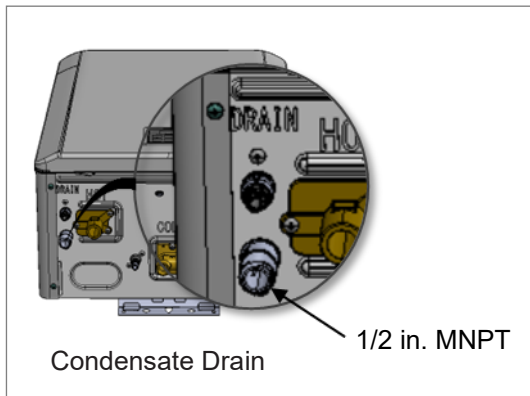


Figure 46

## 4.9.3 Condensate Pump Safety Switch Wiring



### IMPORTANT

The steps in this section must conform with local codes and the guidelines established by the National Electrical Code (NEC).

The condensate pump (if installed) should be wired to deactivate the water heater in the event the condensate pump fails.

1. Disconnect power from the water heater.
2. Open the water heater cover and locate two white wires labeled "To Condensate Pump Safety Switch."

3. Cut crimp connectors off white wires and strip the insulation off of the two ends.
4. Select an appropriate length of wire (18 AWG or greater) and strip the insulation off the ends. Follow the wiring guidelines established by the National Electrical Code (NEC).

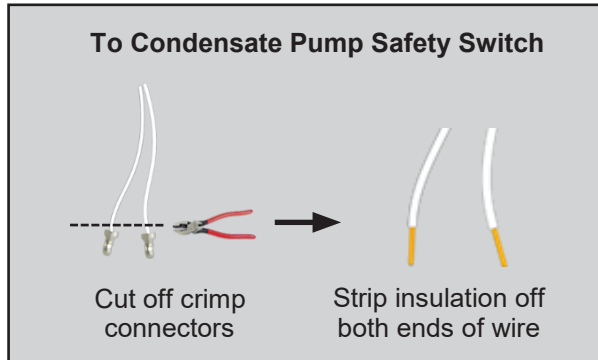


Figure 47

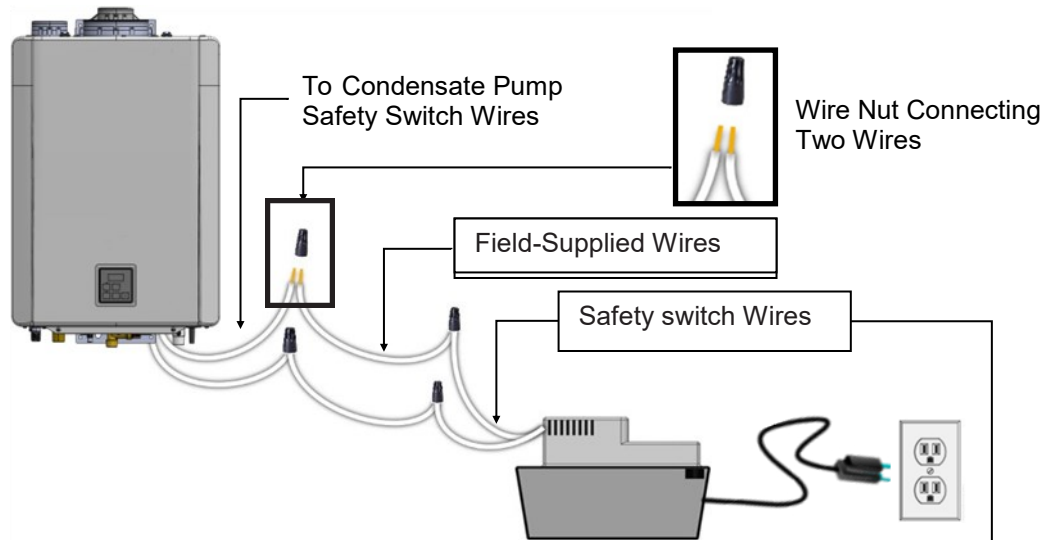
5. With wire nuts or other approved wire connectors, connect the "To Condensate Pump Safety Switch" wires to the normally open contacts on the condensate pump (see image below).
6. Reconnect power to the water heater and press the "On/Off" button on the controller.

### Test Operation

1. Test the operation of the shut off switch by unplugging the condensate pump and filling the condensate reservoir with water until the float switch closes the circuit.
2. Turn on the water heater.
3. Confirm the water heater displays diagnostic code "25."
4. Plug in the condensate pump in and confirm condensate is flowing out of the reservoir.
5. Turn off the water heater by pressing the "On/Off" button on the controller. Wait five seconds then turn the power back on. This will clear the diagnostic code.

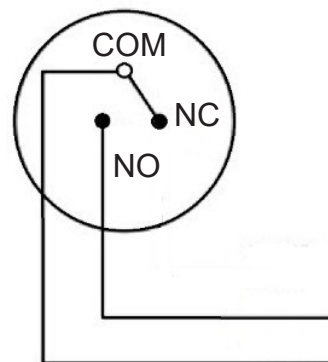
## Condensate Pump Safety Switch Installation

Tankless Water Heater



Condensate Pump (field-supplied) should include internal safety switch and power cord. Power cord must be plugged into power source.

Safety switch wires connect to the NO and COM contacts on the safety switch.



- NO - Normally Open
- NC - Normally Closed
- COM - Common (Neutral)

Figure 48

## 4.10 Connect the Gas Supply

### **⚠ WARNING**

- A trained and qualified professional must install the gas supply.
- Turn off 120V power supply.
- Turn off the gas.
- Gas is flammable. Do not smoke or provide other ignition sources while working with gas.
- Do not turn on the water heater or gas until all fumes are gone.
- Confirm the gas type before connecting. Failure to install correct gas type may result in injury or damage to the unit.

### 4.10.1 Instructions

To connect the gas supply, follow the instructions below:

1. Install a manual gas control valve in the gas supply line to the water heater. A union can be used on the connection above the shut off valve for the future servicing or disconnection of the water heater.
2. Check the type of gas and gas supply pressure before connecting the water heater. If the water heater is not of the gas type that the building is supplied with, DO NOT connect the water heater. Contact the dealer for the proper water heater to match the gas type.
3. Check the gas supply pressure immediately upstream at a location provided by the gas company. Supplied gas pressure must be within the limits shown in section “3.4 Specifications” with all gas appliances operating.
4. Before placing the appliance in operation, all joints including the heater must be checked for gas tightness by means of soap, gas leak detector solution, or an equivalent nonflammable solution, as applicable. (Since some leak test solutions, including soap and water, may cause corrosion or stress cracking, the piping shall be rinsed with water after testing, unless it has been determined that the leak test solution is non-corrosive.)

5. Use approved connectors to connect the water heater to the gas line. Purge the gas line of any debris before connection to the water heater.
6. Any compound used on the threaded joint of the gas piping shall be a type that resists the action of liquefied petroleum gas (propane/LPG).
7. The gas supply line shall be gas tight, sized, and so installed as to provide a supply of gas sufficient to meet the maximum demand of the water heater and all other gas consuming appliances at the location without loss of pressure. If in doubt about the size of the gas line, refer to the “Gas Pipe Sizing Reference Tables” section on the next page.
8. Perform a leak and pressure test prior to operating the water heater. If a leak is detected, do not operate the water heater until the leak is repaired.

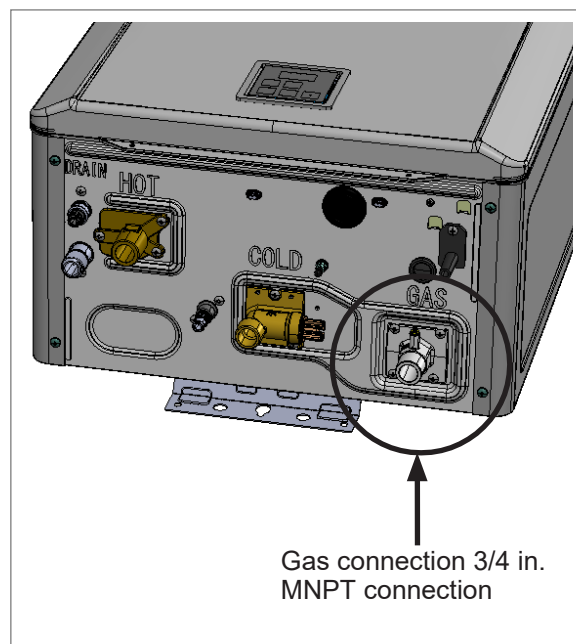


Figure 49

## 4.10.2 Gas Pipe Sizing Reference Tables

The gas supply must be capable of handling the entire gas load required at the location. Gas line sizing is based on gas type, the pressure drop in the system, the gas pressure supplied, and gas line type. For gas pipe sizing, refer to the National Fuel Gas Code, ANSI Z223.1/NFPA 54, or the Natural Gas and Propane Installation Code, CSA B149.1

For some tables, you will need to determine the cubic feet per hour of gas required by dividing the gas input by the heating value of the gas (available from the local gas company). The gas input needs to include all gas products at the location and the maximum Btu usage at full load when all gas products are in use.

Use the table for your gas type and pipe type to find the pipe size required. The pipe size must be able to provide the required cubic feet per hour of gas or the required Btu/hour.

The information below is provided as an example. The appropriate table from the applicable code must be used.

Table 23: Gas Pipe Sizing Calculation Worksheet

Instructions: Enter values in empty boxes.

Rinnai Mode Gas Input:

A		Btu/hr
---	--	--------

Additional Appliance Total Gas Input:

B		Btu/hr
---	--	--------

Heating Value of Gas:

C		Btu/ft <sup>3</sup>
---	--	---------------------

Cubic Feet Per Hour (CFH):

$$(CFH) = \frac{A + B}{C}$$

(CFH) =	
---------	--

Answer: (CFH) = 

--	--

 ft<sup>3</sup>/hr

### Natural Gas

Table 24: Pressure Drop 0.5 in. wc					Example		
<i>Information in table obtained from NFPA 54, ANSI Z223.1 - 2021.</i>	Schedule 40 Metallic Pipe				Rinnai Model Gas Input:		
	Inlet Pressure:		Less than 2 psi		A	199,000	Btu/hr
	Specific Gravity:		0.60		Additional Appliance Total Gas Input:		
	Nominal Pipe Size (in.)				B	65,000	Btu/hr
	1/2	3/4	1	1 1/4	Heating Value of Gas:		
Length in ft (meters)	Capacity in Cubic Feet of Gas per Hour				C	1,000	Btu/ft <sup>3</sup>
10 (3)	172	360	678	1,390	Cubic Feet Per Hour (CFH):		
20 (6)	118	247	466	957	(CFH) = $\frac{A + B}{C}$		
30 (9)	95	199	374	768	(CFH) = $\frac{199,000 + 65,000}{1,000}$		
40 (12)	81	170	320	657	(CFH) = $\frac{264}{1,000}$		
50 (15)	72	151	284	583	Answer		
60 (18)	65	137	257	528	(CFH) =	264	ft <sup>3</sup> /hr
70 (21)	60	126	237	486	For this example, the pipe diameter must be at least 3/4 in. pipe size and 10 ft (3 m) in length.		
80 (24)	56	117	220	452			
90 (27)	52	110	207	424			
100 (30)	50	104	195	400			

## Natural Gas

Table 25: Pressure Drop 3.0 in. wc				
Intended use: Initial supply pressure of 8.0 in. wc or greater.	Schedule 40 Metallic Pipe			
	Inlet Pressure:		Less than 2 psi	
	Specific Gravity:		0.60	
Information in table obtained from NFPA 54, ANSI Z223.1 - 2021.	Nominal Pipe Size (in.)			
	1/2	3/4	1	1 1/4
Length in ft (meters)	Capacity in Cubic Feet of Gas per Hour			
10 (3)	454	949	1,790	3,670
20 (6)	312	652	1,230	2,520
30 (9)	250	524	986	2,030
40 (12)	214	448	844	1,730
50 (15)	190	397	748	1,540
60 (18)	172	360	678	1,390
70 (21)	158	331	624	1,280
80 (24)	147	308	580	1,190
90 (27)	138	289	544	1,120
100 (30)	131	273	514	1,060

Example		
Rinnai Model Gas Input:		
A	199,000	Btu/hr
Additional Appliance Total Gas Input:		
B	65,000	Btu/hr
Heating Value of Gas:		
C	1,000	Btu/ft <sup>3</sup>
Cubic Feet Per Hour (CFH):		
(CFH) =	$\frac{A + B}{C}$	
	199,000 + 65,000	
(CFH) =	1,000	
<b>Answer:</b>		
(CFH) =	264	ft <sup>3</sup> /hr
For this example, the pipe diameter must be at least 1/2 in. pipe size and 20 ft (6 m) in length.		

## Propane (Undiluted)

Table 26: Pressure Drop 0.5 in. wc				
Information in table obtained from Schedule 40 Metallic Pipe NFPA 54, ANSI Z223.1 - 2021.				
Inlet Pressure: 11 in wc				
Specific Gravity: 1.50				
Nominal Pipe Size (in.)				
	1/2	3/4	1	1 1/4
Length in ft (meters)	Capacity in Thousands of Btu per Hour			
10 (3)	291	608	1,150	2,350
20 (6)	200	418	787	1,620
30 (9)	160	336	632	1,300
40 (12)	137	287	541	1,110
50 (15)	122	255	480	985
60 (18)	110	231	434	892
70 (21)	101	212	400	821
80 (24)	94	197	372	763
90 (27)	89	185	349	716
100 (30)	84	175	330	677

Example		
Rinnai Model Gas Input:		
A	199,000	Btu/hr
Additional Appliance Total Gas Input:		
B	65,000	Btu/hr
Total gas Input		
Total Gas Input	=	A + B
Total Gas Input	=	199,000 + 65,000
<b>Answer:</b>		
Total Gas Input	=	264,000 Btu/hr
For this example, the pipe diameter must be at least 1/2 in. nominal pipe size and 10 ft (3 m) in length.		

# 4.11 Connect the Power Supply

## **WARNING**

- Do not use an extension cord or adapter plug with this appliance.
- The water heater must be electrically grounded in accordance with local codes and ordinances or, in the absence of local codes, in accordance with the National Electrical Code, ANSI/ NFPA No. 70.
- Indoor water heaters are equipped with a three-prong (grounding) plug for your protection against shock hazard and should be plugged directly into a properly grounded three-prong receptacle. Do not cut or remove the grounding terminal from this plug.

## 4.11.1 Guidelines

When connecting the power supply, follow these guidelines:

- Do not rely on the gas or water piping to ground the water heater. Ground locations are provided inside the water heater.
- The water heater requires 120 VAC, 60 Hz power from a properly grounded circuit.
- If using the 6.5 ft (2.0 m) power cord supplied with the water heater, plug it into a standard 3 prong 120 VAC, 60 Hz properly grounded wall outlet. The supplied power cord is outdoor rated and can be used outdoor.
- For outdoor installation, a field-supplied disconnect switch may be installed for the incoming 120 VAC power. The switch should be a type that is suitable for outdoor use. Check the National Electrical Code, ANSI/NFPA 70 and your local codes for a proper switch type to use in your area. Power connections must be protected from the weather.
- The wiring diagram is located on the inside of the water heater front cover.

### Post-Power Supply Connection Checklist

<input type="checkbox"/>	Confirm that the electricity is supplied from 120 VAC, 60 Hz power source and is in a properly grounded circuit.
<input type="checkbox"/>	Confirm that an extension cord or an adapter plug has NOT been used with the water heater.

## 4.12 Initial Settings

This tankless water heater is set up for natural gas and indoor installations as default. When power is connected for the first time, you need to confirm the settings below or change them properly.

**WARNING** If proper settings are not selected before you use the tankless water heater, it will cause a hazardous situation which results in personal injury or property damage.

Confirm/change initial settings of the tankless water heater by choosing one of the two options below:

- **Option 1 (recommended):** Confirm/change settings from a smart device using Bluetooth Low Energy (BLE).
- **Option 2:** Confirm/change settings from the tankless water heater controller.

### Option 1: BLE

To confirm/change initial settings of the tankless water heater from a smart device using BLE (recommended), follow the steps below:

**Note:** To utilize BLE, your connecting device (smartphone, tablet, computer, etc.) needs to have Bluetooth 4.0 or a newer version. Contact your connecting device manufacturer if you are not sure if your connecting device has Bluetooth 4.0 or a newer version.

1. Download the Rinnai Central app by scanning the following QR code:



2. Supply power to the tankless water heater for the first time. The controller displays "SET" and the Priority button LED light on the controller is blinking.

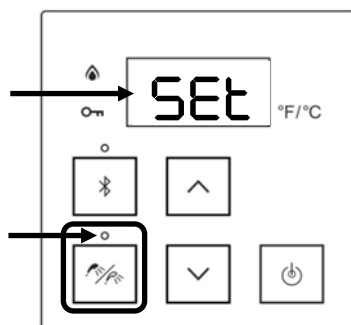


Figure 50

3. Open the Rinnai Central app from your smart device and log into the Rinnai Central app with a professional account.
4. Push the Bluetooth button on the controller. The Bluetooth LED light turns solid.

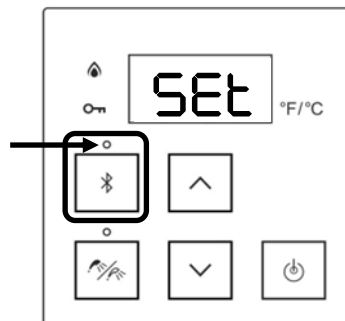


Figure 51

5. Tap "Connect to a Rinnai Tankless Water Heater" on the Rinnai Central app. You will hear a beeping sound when pairing between the app and water heater is established.

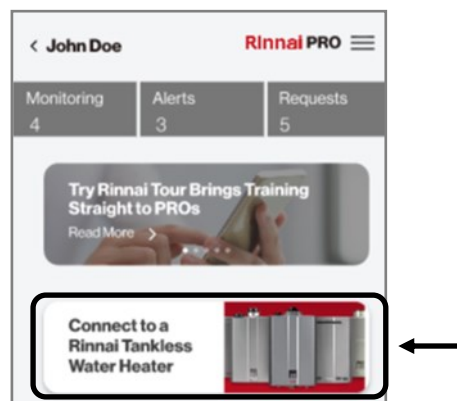


Figure 52

6. Follow the steps in the Rinnai Central app to confirm and/or change your tankless water heater settings.
7. When settings are complete, the controller display will be blank.

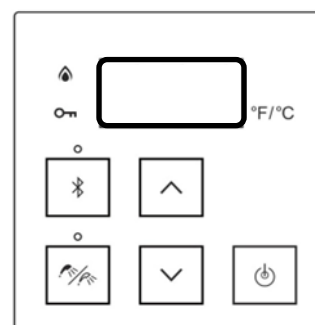


Figure 53



## Option 2: Controller

1. Supply power to the tankless water heater for the first time. The controller displays "SEt" and the Priority button LED light on the controller is blinking.

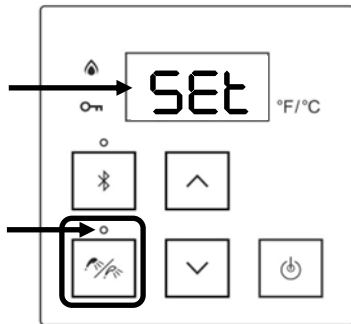


Figure 54

2. Press the "Priority" button. The controller displays "nG" (natural gas).

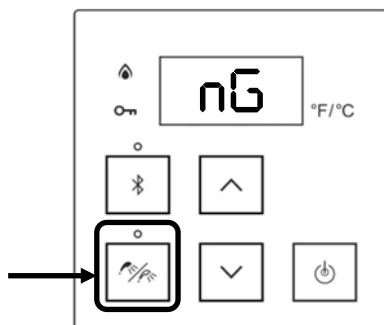


Figure 55

- 3(A). **If using natural gas:** Press the "On/Off" button to confirm natural gas. Then, proceed to step 4.

If using propane gas, skip this step and proceed to step 3(B).

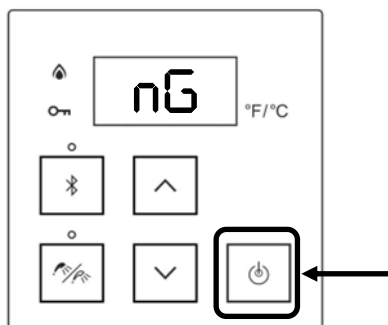


Figure 56

- 3(B). **If using propane gas:** Press the up or down arrow button. The controller displays "LPG" (Liquid Propane Gas).

Press the "On/Off" button to confirm Liquid Propane Gas. Proceed to step 4.

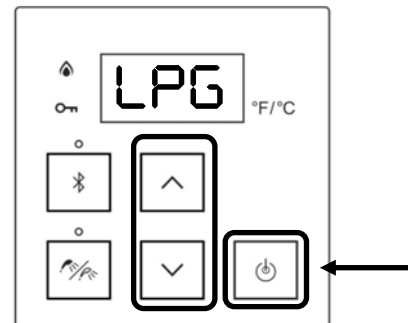


Figure 57

4. The controller displays "In" (indoor).

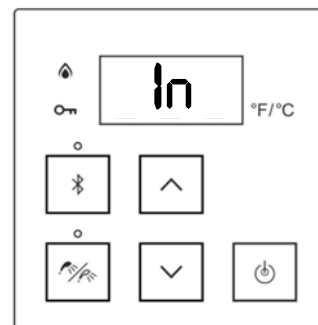


Figure 58

- 5(A). **If you install the tankless water heater indoors:** Press the "On/Off" button to confirm "In" (Indoor). Proceed to step 6.

If you install the tankless water heater outdoors with the Rinnai outdoor vent cap, skip this step and proceed to step 5(B).

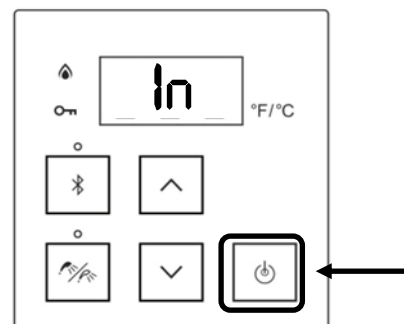


Figure 59

- 5(B). **If you install the tankless water heater outdoors with the Rinnai outdoor vent cap:** Press the up or down arrow buttons. The controller displays “Out” (Outdoor).

Press the “On/Off” button to confirm “Out” (Outdoor).

Proceed to step 6.

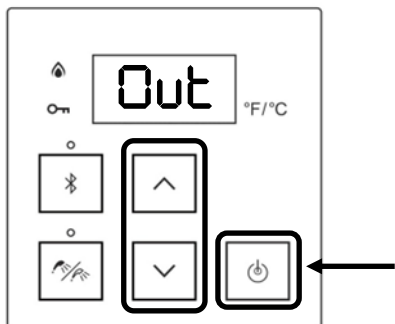


Figure 60

6. The controller displays “nG” or “LPG”, and “In” or “Out” alternatively while the “Priority” button is blinking. The controller shows current gas setting and indoor/outdoor setting.

For example, the controller displays “NG” and “In” alternatively, indicating the water heater is set for natural gas and indoor installation. If you need to change these settings, press the up arrow button to go back to step 1. Otherwise, press the “Priority” button.

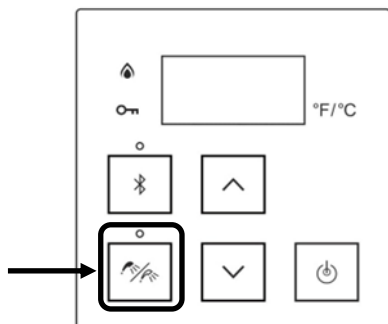


Figure 61

7. The controller briefly displays “888” while a beeping sound is observed. Then, complete initial settings and the controller is off.

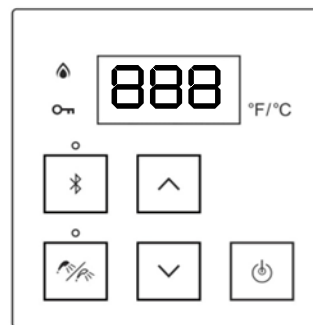


Figure 62

8. If you set initial settings incorrectly, you can adjust the settings by configuring the parameter settings. Follow the steps in section “4.13 Configure Parameter Settings” and change parameters 10 (Gas Type) and 14 (Indoor/Outdoor) correctly.
9. After initial settings are complete, press the “On/Off” button to turn on the unit.

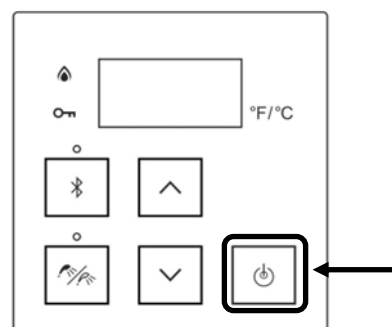


Figure 63

10. If “LPG” (Liquid Propane Gas) is selected, apply the supplied gas conversion label at an open space above the existing label on the left side of the water heater.

Note: See the “Gas Conversion Manual” for specific label location.

11. The default altitude setting for this water heater is 0-2,000 ft. (0-610 m). If this water heater is installed at a different altitude, select the appropriate altitude setting. Also, set up other parameters properly. Refer to section “4.13 Configure Parameter Settings” for specific details on setting parameters.

## 4.13 Configure Parameter Settings

### 4.13.1 Instructions

**WARNING** DO NOT adjust parameter settings unless specifically instructed to do so.

Certain elements of the installation may require adjusting the parameters of the tankless water heater.

To adjust the parameters:

1. Locate the PC Board (lower front of unit).
2. Locate the two push buttons (A and B) on the PC Board.
3. Press the “A” button for 1 second. The controller displays 01A or 01b (Figure 64).

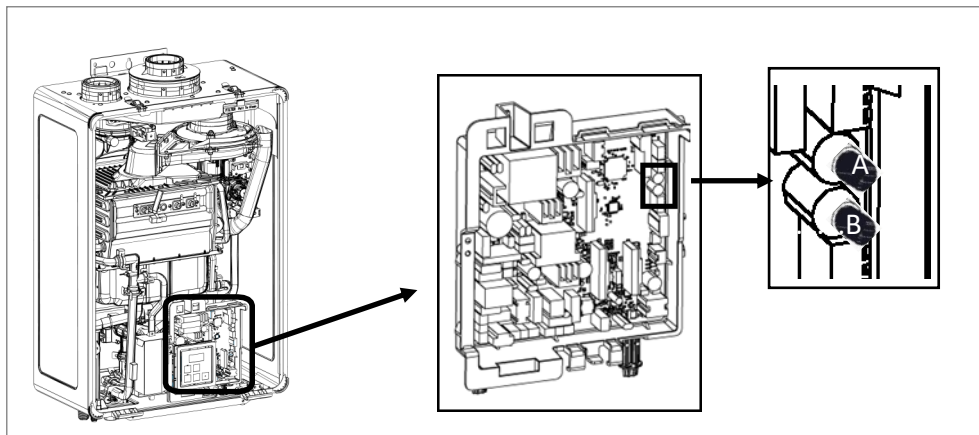


Figure 64

4. Use the up and down arrow buttons on the controller to select a setting number (see Parameter Settings Table on next page).

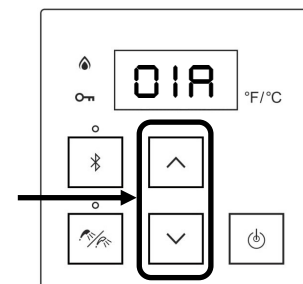


Figure 65

5. Once the desired setting number is selected, use the “On/Off” button on the controller to change the selection for the setting number.

**Example:** Display will change from 01A to 01b for Maximum Temperature setting (as shown in the images).

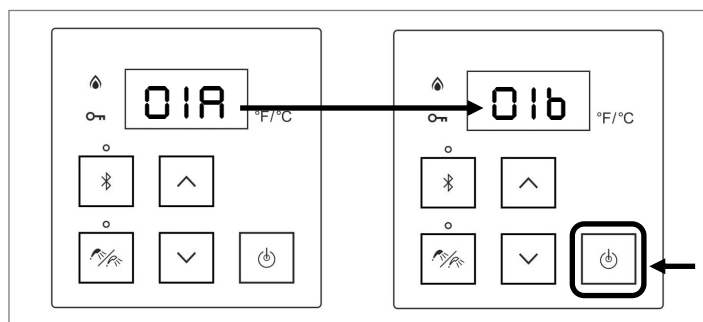


Figure 66

6. To exit and save changes, press the “A” button for 1 second.

Table 27. Parameter Settings

Setting #	Setting Description	Selection			
		a	b	c	d
01	Maximum Set Temperature	120°F (49°C)	140°F (60°C)		
02	High Altitude Installation Location	0 - 2,000 ft (0 - 610 m)	2,001 - 5,400 ft (610 - 1,646 m)	5,401 - 7,700 ft (1,646 - 2,347 m)	7,701 - 10,200 ft (2,347 - 3,109 m)
03	Service Soon <sup>1</sup>	Disabled	0.5 Year	1 Year	2 Years
04 <sup>3</sup>	Recirculation Settings	No Recirculation	Recirculation (Dedicated)	Recirculation (Crossover)	
05	Recirculation Mode <sup>2*</sup>	Economy	Comfort	Commercial <sup>5</sup>	
06	Control Switch	BMS <sup>7</sup>	Air Handler (AH)		
07	Units in Standby (EZConnect™)	2	1		
08	EZConnect™	Secondary	Primary		
10	Gas Type	NG	LPG		
12	Built-in Pump Setting	Without Pump	With Pump		
13	Water Heater Model (Factory set values and not adjustable)	199 (3237)	180 (2934)	160 (2530)	130 (2024)
14	Indoor/Outdoor	Internal (Indoor)	External (Outdoor)		
15 <sup>3</sup>	Low Activation Mode	On	Off		
16	Pump Speed*	Max	High	Medium	Low
17 <sup>4</sup>	First Day Pump Operation*	Pump Off	Pump On		
18 <sup>6</sup>	Smart-Circ with BLE Button*	Smart-Circ is disabled	Smart-Circ is enabled		

\* Pump models only.

<sup>1</sup> See section “4.13.3 Service Indicator (Service Soon, 55)” for more information.

<sup>2</sup> Setting 05 is available only if setting 04 is selected.

**Economy mode** cycles the pump less often, using less energy to maintain the circulation loop temperature.

**Comfort mode** cycles the pump more frequently, ensuring the loop temperature remains higher (but also uses more energy).

<sup>3</sup> Low Activation Mode must be in the ON position (15R) if crossover recirculation is selected (Parameter 04C).

<sup>4</sup> For the first 24-hours of operation, Smart-Circ will learn hot water usage patterns and operate pump based on the learned patterns. On the first day, when the tankless water heater has no learned patterns, the unit can be set to no pump operation (Pump Off/No Recirc) for the first 24 hours or to the pump operating (Pump On/Recirc) multiple times per hour depending on setting 05 (Recirculation Mode).

<sup>5</sup> Commercial mode should not be used for residential applications. Application of commercial mode may result in excessive machine wear and energy consumption.

<sup>6</sup> To comply with California Title 24, select 18R (Smart-Circ is disabled).

<sup>7</sup> BMS = Building Management System

## 4.13.2 Perform Combustion Analysis (Recommended)



### WARNING

Combustion analysis must be performed by a trained and qualified professional.

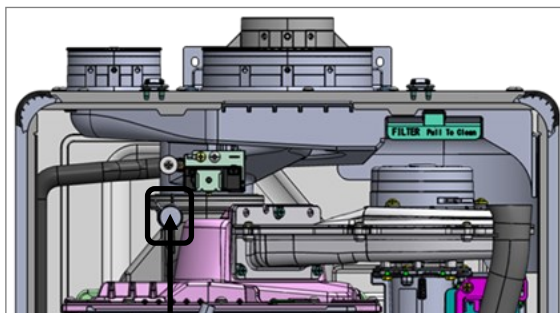
To perform a combustion analysis:

1. Remove the front panel by removing the two screws and releasing the two latches.
2. Remove the clamp holding the combustion analysis port cap.
3. Remove the combustion analysis port cap and insert the gas analyzer probe into the port.
4. Put the water heater into operation for at least five minutes. Measure CO<sub>2</sub> or O<sub>2</sub>, as applicable, in the exhaust system.

If combustions exceed the values below:

- Ensure gas type is correct.
- Check exhaust and inlet air for blockage.
- Please call Rinnai Technical Support.

	CO <sub>2</sub>	O <sub>2</sub>
<b>NG</b>	7.0% - 11.0%	1.7% - 8.7%
<b>LPG</b>	7.9% - 11.9%	2.8% - 8.9%



Insert gas analyzer probe into combustion analysis port.

Figure 67(1)

5. After measurement, remove the gas analyzer probe, place the combustion analysis port cap back on, and reinstall the clamp to secure the cap in place.

## 4.13.3 Service Indicator (Service Soon, 55)

This water heater includes a service indicator (Service Soon, 55). When selected in the parameter settings, an SS code will display on the controller indicating that it is time to flush and service the water heater.

- Selection is installer's preference based on water conditions or other factors that may influence the suggested interval of service.
- See the "Parameter Settings" section of this manual for selectable service intervals.
- If Service Soon (55) appears on the controller display, contact your local service provider to flush and service the water heater (see section "6.3 Flushing the Heat Exchanger").
- Service Soon will appear again based on the selected service interval.

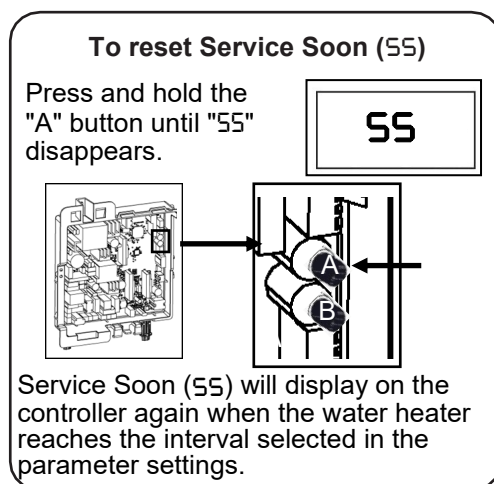


Figure 67(2)

## 4.14 External Pump with Circ-Logic

Rinnai RX Tankless Water Heaters include Circ-Logic technology that offers the comfort and convenience of instant hot water with the use of an external recirculation pump. Circ-Logic controls the on/off sequence and operation cycles of the external recirculation pump through the programming of the tankless water heater's parameter settings. Smart-Circ™ is the factory default setting for recirculation. Smart-Circ™ allows the water heater to identify when hot water is used, and then operates recirculation on subsequent days to reduce wait time for hot water. If a fixed recirculation schedule is desired, then installation of an MC-195T-US Timer/controller or Wi-Fi Module is required.

With residential units, the external pump cable is not included with the tankless water heater and must be purchased separately. Circ-Logic operates in either Economy or Comfort mode based on the parameter settings of the water heater.

- Economy Mode - Cycles the pump less often, using less energy to maintain the circulation loop temperature.
- Comfort Mode - Cycles the pump more frequently, ensuring the loop temperature remains higher (but also uses more energy).

Note: Rinnai offers an Internal Add-on Recirculation Conversion Kit (part number: RX2RXPCCK) to convert a no pump model to a pump model.

Table 28

	Rinnai Set Temperature												
	140	135	130	125	120	115	110	108	106	104	102	100	98
	Typical Pump OFF Intervals (Minutes)												
Economy	18	20	22	24	28	32	38	40	44	48	52	56	62
Comfort	9	10	11	12	14	16	19	20	22	24	26	28	31

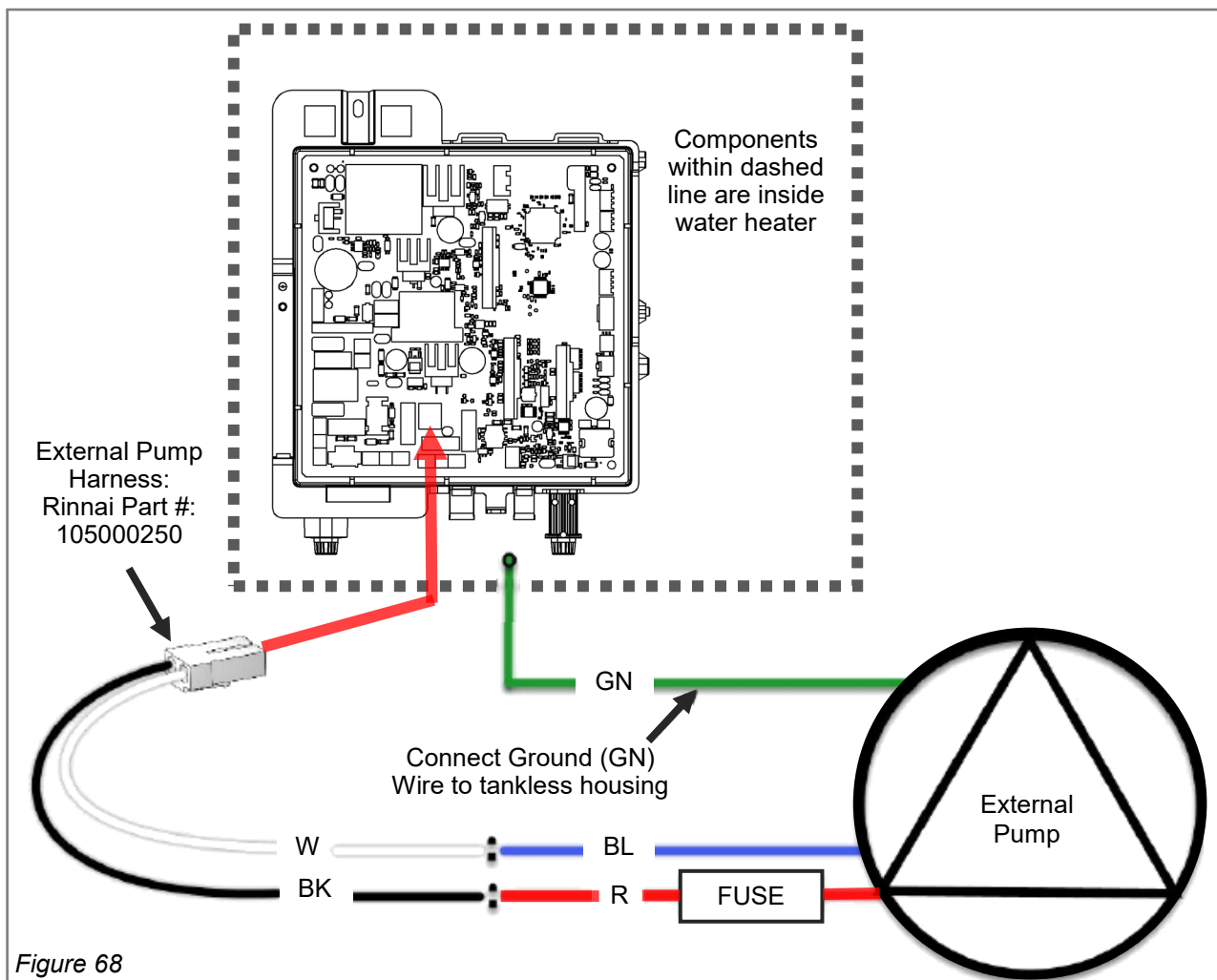


Figure 68

## 4.15 Post-Water Heater Installation Checklist

Complete the following checklist when water heater installation is complete. You should be able to answer YES to each question. If you answer NO to any question, installation is not complete. Refer to the applicable section in the Rinnai Tankless Water Heater Installation and Operation Manual for additional information.

For assistance, contact your local dealer or distributor, or call Rinnai Customer Care at 1-800-621-9419.

<b>1 INSTALLATION LOCATION</b>	<b>YES</b>	<b>NO</b>
Have you verified the unit, vent and air intakes meet the clearance requirements?	<input type="checkbox"/>	<input type="checkbox"/>
<b>2 COMBUSTION AIR &amp; VENTING</b>	<b>YES</b>	<b>NO</b>
Have all corrosive compounds been removed from around the combustion air inlet of the tankless water heater?	<input type="checkbox"/>	<input type="checkbox"/>
Have you followed the combustion air requirements to provide sufficient combustion air for the tankless water heater?	<input type="checkbox"/>	<input type="checkbox"/>
Are the correct venting products for the installed model being utilized?	<input type="checkbox"/>	<input type="checkbox"/>
Have you installed the vent screen (s) for PVC vent applications?	<input type="checkbox"/>	<input type="checkbox"/>
Have you verified the vent system does not exceed maximum length?	<input type="checkbox"/>	<input type="checkbox"/>
<b>3 PLUMBING</b>	<b>YES</b>	<b>NO</b>
Have the water lines been purged of all debris and the filter cleaned?	<input type="checkbox"/>	<input type="checkbox"/>
Have you verified the hot and cold water lines to the tankless water heater are not interchanged?	<input type="checkbox"/>	<input type="checkbox"/>
Does the water supply to the heater have adequate pressure? Is it free of chemicals? Did you verify it does not exceed total hardness that will damage the heat exchanger?	<input type="checkbox"/>	<input type="checkbox"/>
Have you verified that no toxic chemicals were introduced to the potable water?	<input type="checkbox"/>	<input type="checkbox"/>
Did you drain the tankless water heater if not intended to be used immediately?	<input type="checkbox"/>	<input type="checkbox"/>
Have water quality issues (if any) been addressed?	<input type="checkbox"/>	<input type="checkbox"/>
Have you performed the leak and pressure test for the tankless water heater and plumbing system?	<input type="checkbox"/>	<input type="checkbox"/>
<b>4 ISOLATION VALVES</b>	<b>YES</b>	<b>NO</b>
Are isolation valves installed? Isolation valves are not required, but highly recommended.	<input type="checkbox"/>	<input type="checkbox"/>
<b>5 PRESSURE RELIEF VALVE (PRV)</b>	<b>YES</b>	<b>NO</b>
Does the PRV comply with the standard for Relief Valves for Hot Water Supply Systems, ANSI Z21.22/CSA 4.4 or the ANSI/ASME Boiler and Pressure Vessel Code Section IV?	<input type="checkbox"/>	<input type="checkbox"/>
Did you verify the PRV is rated up to 150 psi and (at least) the maximum Btu/hr of the tankless water heater?	<input type="checkbox"/>	<input type="checkbox"/>
Is the discharge from the PRV piped to the ground or into a drain system as per local codes?	<input type="checkbox"/>	<input type="checkbox"/>
Is the discharge line from the PRV pitched downward and does it terminate 6 in. (152 mm) above the drains?	<input type="checkbox"/>	<input type="checkbox"/>
Is the discharge end of the line plain (unthreaded) and a minimum of 3/4 in. diameter?	<input type="checkbox"/>	<input type="checkbox"/>
Is the discharge line material suitable for at least 180°F (82°C) water?	<input type="checkbox"/>	<input type="checkbox"/>
Did you take measures to protect the PRV and PRV discharge line from freezing?	<input type="checkbox"/>	<input type="checkbox"/>
Have you verified the PRV <b>is not</b> plumbed with the condensate drain line?	<input type="checkbox"/>	<input type="checkbox"/>
Have you verified the PRV <b>is not</b> plugged and that reducing fittings, valves, or other restrictions are not installed in the relief line?	<input type="checkbox"/>	<input type="checkbox"/>

<b>6 CONDENSATE DRAIN</b>	<b>YES</b>	<b>NO</b>
If the condensate pump is installed, is it wired to deactivate the tankless water heater in the event of failure? For more information, refer to section "4.9.3 Condensate Pump Safety Switch Wiring."	<input type="checkbox"/>	<input type="checkbox"/>
Did you verify the condensate drain pipe is as short as possible and has a downward pitch toward the drain or condensate pump?	<input type="checkbox"/>	<input type="checkbox"/>
Is all condensate drained and disposed of as per local codes?	<input type="checkbox"/>	<input type="checkbox"/>
Did you use ONLY corrosion resistant materials for the condensate drain lines?	<input type="checkbox"/>	<input type="checkbox"/>
Did you verify the condensate drain pipe along its entire length is at least the same diameter as the drain line (1/2 in. NPT)?	<input type="checkbox"/>	<input type="checkbox"/>
Did you check to ensure the condensation drain lines are protected from freezing?	<input type="checkbox"/>	<input type="checkbox"/>
If a floor pump is not available or the drain is above the level of the condensate drain, did you install a condensate pump?	<input type="checkbox"/>	<input type="checkbox"/>
Have you verified the condensate drain line is not plumbed with the pressure relief valve?	<input type="checkbox"/>	<input type="checkbox"/>
Have you confirmed the condensate drain line is not connected with an air conditioning evaporator coil drain?	<input type="checkbox"/>	<input type="checkbox"/>
Have you verified an external condensate trap is not installed? (This tankless water heater has an integrated condensate trap.)	<input type="checkbox"/>	<input type="checkbox"/>
Have you confirmed the end of the condensate drain pipe is open to atmosphere?	<input type="checkbox"/>	<input type="checkbox"/>
<b>7 GAS SUPPLY</b>	<b>YES</b>	<b>NO</b>
Did you verify the gas system is appropriately sized?	<input type="checkbox"/>	<input type="checkbox"/>
Did you verify the water heater is rated for the gas type supplied?	<input type="checkbox"/>	<input type="checkbox"/>
Have you performed a gas line and connection leak test?	<input type="checkbox"/>	<input type="checkbox"/>
Did you install a manual gas control valve in the gas line to the water heater?	<input type="checkbox"/>	<input type="checkbox"/>
Is the inlet gas pressure within limits?	<input type="checkbox"/>	<input type="checkbox"/>
Did you purge the gas line of any air or debris before connecting the water heater?	<input type="checkbox"/>	<input type="checkbox"/>
If "LPG" (Liquid Propane Gas) is selected, apply the supplied gas conversion label at an open space above the existing label on the side of the water heater.	<input type="checkbox"/>	<input type="checkbox"/>
<b>8 RECIRCULATION PUMP RXP Series Models Only (RXP199i and RXP160i)</b>	<b>YES</b>	<b>NO</b>
Have parameter settings for recirculation been properly set?	<input type="checkbox"/>	<input type="checkbox"/>
Is the recirculation pipe length less than the maximum allowed length?	<input type="checkbox"/>	<input type="checkbox"/>
Did you drain the tankless water heater if not intended to be used immediately?	<input type="checkbox"/>	<input type="checkbox"/>
Have you performed a leak and pressure test on the thermal bypass valve installation?	<input type="checkbox"/>	<input type="checkbox"/>
(Crossover Mode Only) Was the thermal bypass valve installed at the furthest fixture from the water heater?	<input type="checkbox"/>	<input type="checkbox"/>



# 5. Operation

## Topics in this section

- Safety Precautions
- Gas Operating Instructions
- Control Panel
- Setting the Temperature
- Performance Data
- Diagnostic Codes
- Configuring Recirculation (If Applicable)

## 5.1 Safety Precautions

### **WARNING**

**If the information in these instructions is not followed exactly, a fire or explosion may result causing property damage, personal injury, or death.**

- Do not store or use gasoline or other flammable vapors and liquids in the vicinity of this or any other appliance.
- BEFORE OPERATING, smell all around the appliance area for gas. Be sure to smell next to the floor because some gas is heavier than air and will settle on the floor.
- WHAT TO DO IF YOU SMELL GAS
  - Do not try to light any appliance.
  - Do not touch any electrical switch; do not use any phone in your building.
  - Immediately call your gas supplier from a neighbor's phone. Follow the gas supplier's instructions.
  - If you cannot reach your gas supplier, call the fire department.
- Installation and service must be performed by a trained and qualified professional, service agency or the gas supplier.

### **AVERTISSEMENT**

**Assurez-vous de bien suivre les instructions données dans cette notice pour réduire au minimum le risque d'incendie ou d'explosion ou pour éviter tout dommage matériel, toute blessure ou la mort.**

- Ne pas entreposer ni utiliser d'essence ou ni d'autres vapeurs ou liquides inflammables à proximité de cet appareil ou de tout autre appareil.
- AVANT D'OPÉRER, sentir le gaz autour de la zone de l'appareil. Assurez-vous de sentir à côté du sol car certains gaz sont plus lourds que l'air et se déposeront sur le sol.
- QUE FAIRE SI VOUS SENTEZ UNE ODEUR DE GAZ :
  - Ne pas tenter d'allumer d'appareil.
  - Ne touchez à aucun interrupteur ; ne pas vous servir des téléphones se trouvant dans le bâtiment.
  - Appelez immédiatement votre fournisseur de gaz depuis un voisin. Suivez les instructions du fournisseur.
  - Si vous ne pouvez rejoindre le fournisseur, appelez le service des incendies.
- L'installation et l'entretien doivent être assurés par un installateur ou un service d'entretien qualifié ou par le fournisseur de gaz.

- Keep the area around the appliance clear and free from combustible materials, gasoline, and other flammable vapors and liquids.
- Do not use this appliance if any part has been under water. Immediately call a trained and qualified professional to inspect the appliance and to replace any part of the control system and any gas control which has been under water  
*(N'utilisez pas cet appareil s'il a été plongé dans l'eau, même partiellement. Faites inspecter l'appareil par un licence professionnelle et remplacez toute partie du système de contrôle et toute commande qui ont été plongés dans l'eau.)*
- Should overheating occur or the gas supply fail to shut off, turn off the manual gas control valve to the appliance  
*(En cas de surchauffe ou si l'alimentation en gaz ne s'arrête pas, fermez manuellement le robinet d'arrêt de l'admission de gaz.)*
- Use only your hand to push in or turn the gas control knob. Never use tools. If the knob will not push in or turn by hand, do not try to repair it, call a trained and qualified professional. Force or attempted repair may result in a fire or explosion.
- This appliance does not have a pilot. It is equipped with an ignition device which automatically lights the burner. DO NOT try to light the burner by hand.
- DO NOT use an extension cord or an adapter plug with this appliance.
- Any alteration to the appliance or its controls can be dangerous and will void the warranty.
- If you install this water heater in an area that is known to have hard water or that causes scale build-up the water must be treated and/or the heat exchanger flushed regularly. Rinnai offers a "Scale Control System" that provides superior lime scale prevention and corrosion control by feeding a blend of control compounds into the water supply. Damage and repair due to corrosive compounds in the air is not covered by warranty.
- Keep the combustion air vent pipe location free of chemicals, such as chlorine or bleach, that produce fumes. These fumes can damage components and reduce the life of your appliance. Damage and repair due to scale in the heat exchanger is not covered by warranty.
- Always check the water temperature before entering a shower or bath.
- Do not adjust the parameter settings unless you are trained on Rinnai tankless water heaters, or specifically instructed to do so.

## 5.2 Gas Operating Instructions

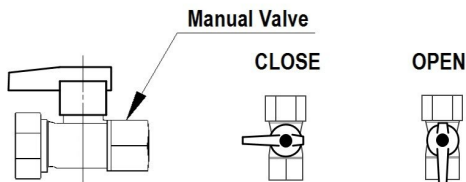
### FOR YOUR SAFETY READ BEFORE OPERATING

**⚠ WARNING** If you do not follow these instructions exactly, a fire or explosion may result causing property damage, personal injury or loss of life.

- A. This appliance does not have a pilot. It is equipped with an ignition device which automatically lights the burner. Do not try to light the burner by hand.
- B. BEFORE OPERATING, smell all around the appliance area for gas. Be sure to smell next to the floor because some gas is heavier than air and will settle on the floor.  
**WHAT TO DO IF YOU SMELL GAS**
  - Do not try to light any appliance.
  - Do not touch any electric switch; do not use any phone in your building.
  - Immediately call your gas supplier from a neighbor's phone. Follow the gas supplier's instructions.
  - If you cannot reach your gas supplier, call the fire department.
- C. Use only your hand to push in or turn the gas control valve. Never use tools. If the gas control valve will not turn by hand, do not try to repair it, call a qualified service technician. Force or attempted repair may result in a fire or explosion.
- D. Do not use this appliance if any part has been under water. Immediately call a qualified service technician to inspect the appliance and to replace any part of the control system and any gas control which has been under water.

### OPERATING INSTRUCTIONS

1. STOP! Read the safety information above.
2. Set the temperature controller to lowest setting.
3. Turn off all electric power to the appliance.
4. This appliance does not have a pilot. It is equipped with an ignition device which automatically lights the burner. Do not try to light the burner by hand.
5. Turn the manual gas control valve located at gas inlet of appliance clockwise to the OFF position. ↻
6. Wait five (5) minutes to clear out any gas. Then smell for gas, including near the floor. If you smell gas, STOP! Follow "B" in the safety information above. If you don't smell gas, go to the next step.
7. Turn the manual gas valve located at gas inlet of appliance counterclockwise to the full ON position. ↻
8. Turn on all electric power to the appliance.
9. Set the temperature controller to desired setting.
10. If the appliance will not operate, follow the instructions "To Turn Off Gas To Appliance" and call your service technician or gas supplier.



### TURN OFF GAS TO APPLIANCE

1. Set the temperature controller to lowest setting.
2. Turn off all electric power to the appliance if service is to be performed.
3. Turn the manual gas control valve located at gas inlet of appliance clockwise to the OFF position. ↻

## 5.3 Control Panel

The controller panel allows you to adjust the water temperature, lock the controller on a set temperature, and view diagnostic information.

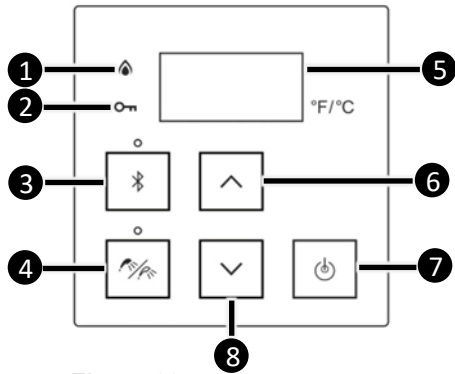


Figure 69

Table 29

1	"In Use" light. Indicates the water heater is in use
2	Indicates the controller is locked
3	Allows Bluetooth pairing for setup
4	"Priority" button. Enables controller when multiple controllers are used
5	Display
6	Increases hot water temperature
7	Turns the water heater on or off
8	Decreases hot water temperature

### 5.3.1 Setting the Controller to Mute

To eliminate the beeps when keys are pressed, press and hold both the up and down arrow buttons (Figure 70) at the same time until a beep is heard (approximately 3 seconds). Then, release both buttons.

To turn on the beeps, repeat the above steps.

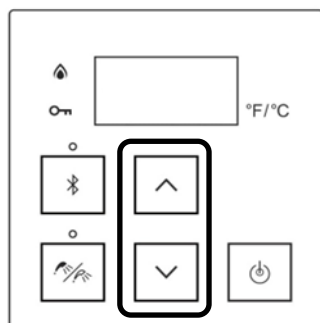


Figure 70

### 5.3.2 Locking the Controller

1. To lock the integrated controller, press and hold down the "Priority" button (Figure 71).
2. While holding down the "Priority" button, press the up arrow button (Figure 71) until a beep is heard (approximately 5 seconds). Then, release both buttons at the same time.
3. A key illuminates when the controller is locked.

**NOTE**  
For outdoor installations, the controller is automatically locked after 30 minutes inactivity.

To unlock the controller, follow the above steps.

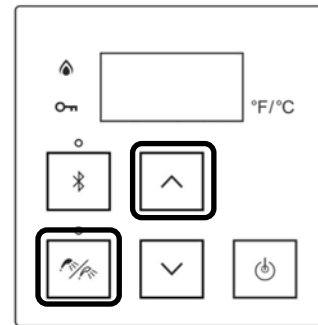


Figure 71

### 5.3.3 "In Use" Light

The integrated controller "In Use" light flashes based on the operation status of the water heater and integrated pump.

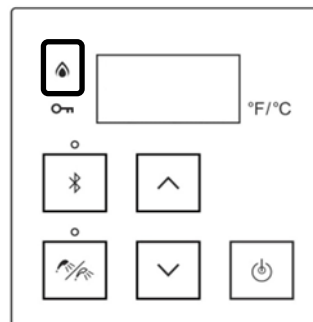


Figure 72

#### Solid Light

Indicates ignition and water flow.



#### Slow Flash

Indicates ignition and pump operation.



#### Rapid Flash

Indicates pump operation with no ignition.



## 5.4 Setting the Temperature

This water heater requires a minimum flow rate to operate. This rate can be found on the specification page in this manual. In some cases when you are not getting hot water or if the water alternates between hot and cold, it is due to the water flow being below or close to the minimum flow rate. Increasing the flow rate should resolve these problems in these cases.

If you are experiencing issues with higher temperature settings, then reduce the temperature setting. Selecting a temperature closer to that which is actually used at the faucet will increase the amount of hot water being delivered to the faucet, due to less cold water mixing at the fixture

### DANGER



Water temperatures over 125°F (52°C) can cause severe burns or scalding resulting in death.

Hot water can cause first degree burns with exposure for as little as:

- 3 seconds at 140°F (60°C)
- 20 seconds at 130°F (54°C)
- 8 minutes at 120°F (49°C)

Children, disabled, or elderly are at highest risk of being scalded.

Feel water before bathing or showering.

### IMPORTANT

- While any hot water is being provided, the temperature setting can only be adjusted between 98°F and 110°F (37°C and 43°C).
- Check local codes for the maximum water temperature setting allowed when used in nursing homes, schools, day care centers, and all other public applications.
- If a newly installed water heater with a controller has not been powered for at least 6 hours then the temperature will return to the default setting of 104°F (40°C) if power is interrupted.
- There may be a variation between the temperature displayed on the temperature controller and the temperature at the tap due to weather conditions or the length of pipe to the water heater.

1. If the water heater is off, press the “On/Off” button to turn on.
2. The “Priority” button enables a controller if multiple controllers are being used. If the “Priority” light is off, then press the “Priority” button on the temperature controller. The “Priority” light will glow indicating that this controller is controlling the temperature and that the water heater is ready to supply hot water. The priority can only be changed while no hot water is running.
3. Press the up or down arrow buttons to obtain the desired temperature setting (Figure 73).

All hot water sources are able to provide water at this temperature setting until it is changed again at this or another temperature controller.

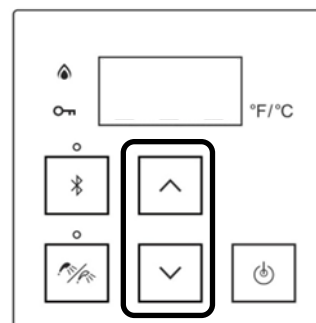


Figure 73

## 5.4.1 Available Temperatures with an Internal Controller

The water heater can deliver water at only one temperature setting at a time. The available temperatures are provided below. A temperature lower than 98°F (37°C) can be obtained at the tap by mixing with cold water.

To change the temperature scale from Celsius to Fahrenheit or vice versa, press and hold the “On/Off” button on the controller for 5 seconds while the water heater is OFF.

Table 30: Temperature Settings

Temperature Settings													
Fahrenheit (°F)	98	100	102	104	106	108	110	115	120†	125*	130*	135*	140*
Celsius (°C)	37	38	39	40	41	42	43	46	49	52	54	57	60

\* These models have a default maximum temperature of 120°F (49°C) and an option to increase the maximum temperature to 140°F (60°C). Refer to section “4.13 Configure Parameter Settings” for further details.

†For Crossover Mode, minimum temperature setting is 120°F (49°C).

## 5.5 Performance Data

1. Press and hold the down arrow button.
2. While holding the down arrow button for 2 seconds, press and hold the “On/Off” button (hold both buttons simultaneously) until “01” appears.

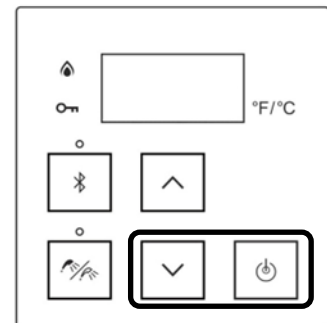


Figure 74

3. Use the up and down arrow buttons to scroll to the desired information described in the “Performance Data Table” on the next page.

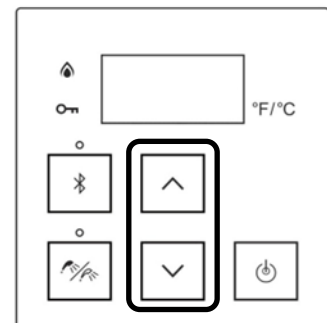


Figure 75

4. To exit performance data, repeat step 2 above.
5. When complete, the set temperature appears in the display.

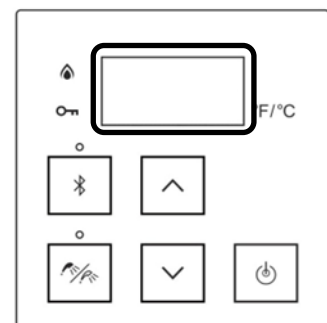


Figure 76

Table 31. Performance Data Table

#	Data	Unit
01	Water Flow Rate	x0.1 gal/min
02	Outgoing Temperature	°F
03	Combustion Hours	x100 Hours
04	Combustion Cycles	*
05	Fan Frequency	Hz
06	Additional Controllers Connected	*
07	Water Flow Control Position	0=Mid 1=Open 2=Closed
08	Inlet Temperature	°F
09	Fan Current	x10 mA
10	Total Bath Fill Amount	Gallons
11	HEX Outlet Temp.	°F
12	Bypass Flow Control Position	Degrees of opening
17	Freeze Protection Temperature	°F
19	Pump Hours	x100 Hours
20	Pump Cycles	*
21	Exhaust Temperature	°F
22	Pump Frequency	Hz
23	Lime Detecting Temperature	°F
24	Descaling Cycles	

\* Refer to the following tables for additional information:

<b>04</b>	<b>Combustion Cycles</b>
<b>20</b>	<b>Pump Cycles</b>

DISPLAY	CYCLE COUNT
000 to 999	x100 (0 to 99,900)
10- to 99-	x10,000 (100,000 to 990,000)
1-- to 6--	x1,000,000 (1,000,000 to 6,000,000)

<b>06</b>	<b>Controllers Connected</b>	
CONTROLLER MODEL	CONNECTED	NOT CONNECTED
MC	--1	--0
BC	-1-	-0-
BSC & BSC2	1--, 2-- (QTY2)	0--

Default display is 100.

\_ depends on connection status of another controller.

## 5.6 Diagnostic Codes

### To display diagnostic codes:

Turn off the water heater by pressing the “On/Off” button.

Press and hold the “On/Off” button for 2 seconds and then the up arrow button simultaneously.

The last nine maintenance codes display and flash one after the other.

To exit diagnostic codes and return the water heater to normal operation, press and hold the “On/Off” button for 2 seconds and then the up arrow button simultaneously.

Turn on the water heater by pressing the “On/Off” button.

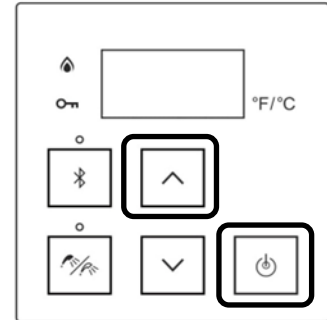


Figure 77



### WARNING

Some of the checks below should be performed by a trained and qualified professional. Consumers should never attempt any action that they are not qualified to perform.

<b>03</b>	<b>Power interruption during bath fill (Water will not flow when power returns)</b>
	<ul style="list-style-type: none"> <li>Turn off all hot water taps. Press ON/ OFF twice.</li> </ul>
<b>10</b>	<b>Air Supply or Exhaust Blockage/ Condensate Trap is Full</b>
	<ul style="list-style-type: none"> <li>Ensure condensate line is not blocked.</li> <li>Ensure internal air filter is clean with no obstructions.</li> <li>Ensure High Altitude setting. (See Parameter Settings)</li> <li>Ensure combustion air and exhaust vents are not blocked and approved venting materials are being used.</li> <li>Ensure vent length is within limits.</li> <li>Check fan for debris and ensure wheel turns freely.</li> <li>Verify check valve is not stuck between fan casing and burner body.</li> </ul>
<b>11</b>	<b>No Ignition (Heater Not Turning On)</b>
	<ul style="list-style-type: none"> <li>Check that the gas is turned on at the water heater, meter, or cylinder.</li> <li>Ensure gas line, meter, and/or regulator is sized properly.</li> <li>If the system is propane, make sure that gas is in the tank and the tank is properly purged.</li> <li>Ensure gas type and inlet gas pressure are correct.</li> <li>Bleed all air from gas lines.</li> <li>Check the ground wire for the PC Board.</li> <li>Ensure flame rod wire is connected.</li> <li>Ensure igniter is operational.*</li> <li>Check gas solenoid valves for open or short circuits.*</li> <li>Verify selected gas type is correct.</li> <li>Ensure condensate line is not blocked.</li> </ul>

<b>12</b>	<b>No Flame</b>
	<ul style="list-style-type: none"> <li>Check that the gas is turned on at the water heater, gas meter, or cylinder.</li> <li>Ensure gas line, meter, and/or regulator is sized properly.</li> <li>If the system is propane, make sure that gas is in the tank.</li> <li>Ensure flame rod wire is connected.</li> <li>Ensure gas type and inlet gas pressure is correct.</li> <li>Bleed all air from gas lines.</li> </ul>
<b>14</b>	<b>Heat Exchanger Overheat</b>
	<ul style="list-style-type: none"> <li>Measure resistance or voltage of Overheat Switch.*</li> <li>Ensure it is not in forced Hi setting.</li> <li>Check heat exchanger surface for hot spots which may be caused by scale build-up. Refer to instructions in manual for flushing heat exchanger. Hard water must be treated to prevent scale build up or damage to the heat exchanger.</li> </ul>

\* See “Electrical Diagnostics” on Technical Data Sheet located on inside front cover of water heater.

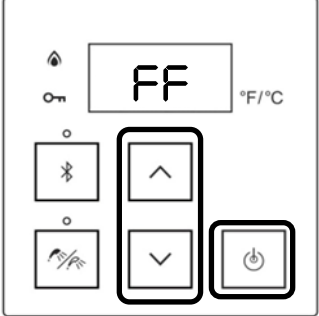


<b>15</b>	<b>Venturi Control</b>
	<ul style="list-style-type: none"> <li>• Ensure the Venturi motor is operating correctly.*</li> <li>• Replace gas valve assembly.</li> <li>• Clear diagnostic code by resetting the main power supply to the water heater.</li> </ul>
<b>16</b>	<b>High Outgoing Temperature</b>
	<p><b>(Safety shutdown because water heater is too hot)</b></p> <ul style="list-style-type: none"> <li>• Confirm fan motor is functioning correctly.</li> <li>• Replace the gas valve assembly.</li> </ul>
<b>17</b>	<b>Venturi Blockage</b>
	<ul style="list-style-type: none"> <li>• First, follow the recommended solutions for Diagnostic Code 10.</li> <li>• If the Code 10 solutions do not correct the problem, ensure the Venturi is not blocked.</li> <li>• Check vent pipes are installed properly.</li> <li>• Please call Rinnai Technical Support to reset the code, or refer to the Technical Data Sheet located on the inside of the water heater front panel.</li> </ul>
<b>18</b>	<b>Gas Valve Adjustment Limit</b>
	<ul style="list-style-type: none"> <li>• Ensure gas type is correct.</li> <li>• Ensure gas type parameter is correct.</li> <li>• Please call Rinnai Technical Support.</li> </ul>
<b>19</b>	<b>Electrical Grounding</b>
	<ul style="list-style-type: none"> <li>• Check all components for electrical short.</li> </ul>
<b>21</b>	<b>Data Transfer Error</b>
	<ul style="list-style-type: none"> <li>• If the PCB has been replaced, ensure the data transfer process has been completed.</li> </ul>
<b>22</b>	<b>Gas Valve Adjustment</b>
	<ul style="list-style-type: none"> <li>• Ensure a Reed switch is located properly.</li> <li>• Ensure the gas valve adjustment is operating correctly.*</li> </ul>
<b>25</b>	<b>Condensate Pump (Accessory)</b>
	<ul style="list-style-type: none"> <li>• Confirm wire connections and harness are good.</li> <li>• Ensure condensate reservoir is empty and condensate pump is operating.</li> </ul>
<b>32</b>	<b>Outgoing Thermistor</b>
	<ul style="list-style-type: none"> <li>• Check sensor wiring for damage.</li> <li>• Measure resistance or voltage of sensor.*</li> <li>• Clean sensor of scale build-up.</li> <li>• Replace sensor.</li> </ul>
<b>33</b>	<b>Heat Exchanger Thermistor</b>
	<ul style="list-style-type: none"> <li>• Follow the steps above for Code 32 for troubleshooting</li> </ul>

<b>34</b>	<b>Lime Detecting Thermistor</b>
	<ul style="list-style-type: none"> <li>• Check sensor wiring for damage.</li> <li>• Measure resistance or voltage of sensor.*</li> <li>• Clean sensor of scale build-up.</li> <li>• Replace sensor.</li> </ul>
<b>38</b>	<b>Exhaust Thermistor</b>
	<ul style="list-style-type: none"> <li>• Check sensor wiring for damage.</li> <li>• Measure resistance or voltage of sensor.*</li> <li>• Replace sensor.</li> </ul>
<b>41</b>	<b>Freeze Protection Thermistor</b>
	<ul style="list-style-type: none"> <li>• Follow the steps above for Code 38 for troubleshooting.</li> </ul>
<b>51</b>	<b>Inlet Thermistor</b>
	<ul style="list-style-type: none"> <li>• Check sensor wiring for damage.</li> <li>• Measure resistance or voltage of sensor.*</li> <li>• Clean sensor of scale build-up.</li> <li>• Replace sensor.</li> </ul>
<b>52</b>	<b>Gas Valve</b>
	<ul style="list-style-type: none"> <li>• Check flame rod and wire for damage.</li> <li>• Check gas solenoid valve for open or short circuit.*</li> <li>• Replace gas valve assembly.</li> <li>• Please call Rinnai Technical Support.</li> </ul>
<b>54</b>	<b>High Exhaust Gas Temperature</b>
	<ul style="list-style-type: none"> <li>• Ensure Heat Exchanger fins are clean and not blocked.</li> <li>• Check heat exchanger surface for hot spots which may be caused by scale build-up. Refer to instructions in manual for flushing heat exchanger. Hard water must be treated to prevent scale build up or damage to the heat exchanger.</li> <li>• Confirm inlet water temperature is not too high.</li> <li>• Clear diagnostic code by resetting the main power supply to the water heater.</li> <li>• Ensure condensate is not blocked.</li> </ul>
<b>61</b>	<b>Combustion Fan</b>
	<ul style="list-style-type: none"> <li>• Check the motor wire harness for loose or damaged connections.</li> <li>• Measure resistance or voltage of motor wire harness.*</li> <li>• Ensure the combustion fan spins freely.</li> </ul>
<b>63</b>	<b>Recirculation Low Flow</b>
	<ul style="list-style-type: none"> <li>• Ensure parameter settings are correctly set for recirculation mode.</li> <li>• Ensure a recirculation loop does not exceed maximum length. Refer to Tables 34 or 37.</li> <li>• Ensure the inlet water filter is clean and free of debris.</li> <li>• Ensure Pump supply voltage.</li> <li>• Ensure air is removed from the recirculation line.</li> </ul>

\* See "Electrical Diagnostics" on Technical Data Sheet located on inside front cover of water heater.

<b>65</b>	<b>Water Flow Control</b>
	<ul style="list-style-type: none"> <li>• Measure resistance or voltage values of the water flow control.*</li> <li>• The water flow control valve has failed to close during the bath fill function. Immediately turn off the water and discontinue the bath fill function. Contact a trained and qualified professional to service the appliance.</li> </ul>
<b>66</b>	<b>Bypass Servo</b>
	<ul style="list-style-type: none"> <li>• Measure the resistance values and voltage of the bypass servo valve.*</li> <li>• Ensure the harness and connector are not wet.</li> <li>• If the voltage from the PC Board is abnormal, replace the PC board; otherwise replace the bypass servo valve.</li> </ul>
<b>70</b>	<b>PC Board</b>
	<ul style="list-style-type: none"> <li>• Replace PC Board</li> </ul>
<b>71</b>	<b>Solenoid Valve Circuit</b>
	<ul style="list-style-type: none"> <li>• Ensure dip switch on PC board is in the OFF position.</li> <li>• Ensure gas control wire is not loose or damaged.</li> <li>• Ensure heater circuit is not grounded.</li> <li>• Replace PC Board.</li> <li>• Check flame rod and wire for damage.</li> <li>• Verify HEX is not leaking.</li> <li>• Please call Rinnai Technical Support.</li> </ul>
<b>72</b>	<b>Flame Rod</b>
	<ul style="list-style-type: none"> <li>• Check flame rod and wire for damage.</li> <li>• Verify HEX is not leaking.</li> <li>• Please call Rinnai Technical Support.</li> </ul>
<b>LC</b>	<b>Scale Build-up in Heat Exchanger (when checking maintenance code history, "00" is substituted for "LC")</b>
	<ul style="list-style-type: none"> <li>• LC indicates that there is scale build up in the heat exchanger and that the heat exchanger needs to be flushed to prevent damage. Refer to section "6.3 Flushing the Heat Exchanger" for more information. Hard water must be treated to prevent scale build up or damage to the heat exchanger.</li> <li>• After flushing, reset LC code as instructed.</li> <li>• Please call Rinnai technical department.</li> <li>• To reset the LC code temporarily, push the "On/Off" button on the temperature controller five times in five seconds.</li> </ul>

<b>FF</b>	<b>Maintenance Indicator</b>
	<ul style="list-style-type: none"> <li>• Placeholder in Diagnostic code history indicating that a service provider performed maintenance or service.</li> <li>• Enter this code after performing service by pressing the up and down arrow buttons and On/Off simultaneously.</li> <li>• FF is visible on the monitor.</li> </ul>
	
	<i>Figure 78</i>
<b>55</b>	<b>(55) Service Soon</b>
	<ul style="list-style-type: none"> <li>• 55 is a time-based service indicator set during installation. See section "4.13 Configure Parameter Settings" for additional details on setting and changing the 55 indicator.</li> <li>• 55 indicates that it is time for service.</li> <li>• To reset the 55 code, press and hold the "A" button until 55 disappears.</li> </ul>
	<b>NO CODE - Nothing happens when water flow is activated</b>
	<ul style="list-style-type: none"> <li>• Verify you have at least the minimum flow rate required to fire unit.</li> <li>• Measure the resistance or voltage of the water flow control sensor.*</li> <li>• Clean inlet water supply filter.</li> <li>• On new installations ensure hot and cold water lines are not reversed.</li> </ul>

\* See "Electrical Diagnostics" on Technical Data Sheet located on inside front cover of water heater.

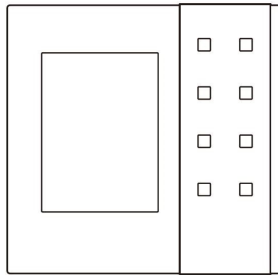
Visit [rinnai.pro.myabsorb.com](http://rinnai.pro.myabsorb.com) for additional troubleshooting resources.

## 5.7 Configuring Recirculation (If Applicable)

This section applies to RXP models only.

Smart-Circ™ is the factory default setting for recirculation. Smart-Circ™ allows the water heater to identify when hot water is used, and then operates recirculation on subsequent days to reduce wait time for hot water. If a fixed recirculation schedule is desired, then installation of an MC-195T-US Timer/controller or Wi-Fi Module is required.

Fixed recirculation schedule requires the installation of one of the following controllers to set time intervals and duration of recirculation system operation. Smart-Circ™ is automatically disabled if a scheduling controller (MC195T-US/ Wi-Fi Module) is installed.



**MC-195T-US Timer/Controller**

Wired in digital control with integrated timer function for recirculation control.



**Wi-Fi Module**

Wired in digital control with integrated timer function for recirculation control.

Figure 79

Fixed schedule recirculation for RXP models requires the installation of the Wi-Fi Module or MC-195T-US controller.<sup>1</sup>

If the Wi-Fi Module or MC-195T-US controller is not installed, temporary pump operation can be initiated by resetting power to the appliance (see section "3.6 Accessories" for part numbers). Visit [rinnai.us/wifi](http://rinnai.us/wifi) for more information.

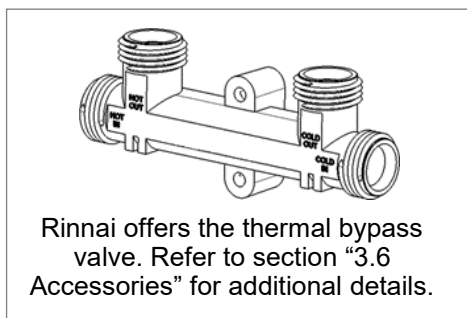
Note: Recirculation parameter setting  $\square$ 4 must be set to your circulation mode. See section "4.13 Configure Parameter Settings" for more information.

<sup>1</sup> DO NOT install the Wi-Fi Module and MC-195T-US together as they are NOT compatible accessories.

To remove air, drain the water during pump operation. If the air is not fully removed, the pump could run dry.

A thermal bypass valve can be installed with water heaters to operate recirculation without a dedicated return line. The thermal bypass valve should be installed between the hot and cold line at the farthest fixture in the plumbing system. Refer to section "5.7.2 Recirculation (Crossover Mode)" for additional details.

NOTE: Thermal bypass valve should only be used for Crossover Mode Recirculation systems.



Rinnai offers the thermal bypass valve. Refer to section "3.6 Accessories" for additional details.

Figure 80

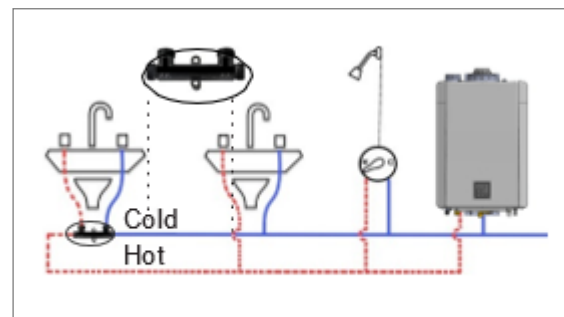


Figure 81

## Parameter Settings

Refer to section “4.13 Configure Parameter Settings” for instructions on how to access and change parameter settings.

Table 32

Setting #	Setting Description	Selection			
		a	b	c	d
12	Built-in Pump Setting	Without Pump	With Pump		
16	Pump Speed	Maximum	High	Medium	Low
17	First Day Pump Operation	Pump Off	Pump On		
18	Smart-Circ with BLE Push Button	Smart-Circ is disabled	Smart-Circ is enabled		

### 12 Built-in Pump Setting

- Non-pump models should always have **12a** without pump setting. Pump models have **12b** with pump setting as default.

### 16 Pump Speed

- Higher pump speeds during recirculation runs will produce higher noise levels. If the noise level of the recirculation pump is high, changing parameter setting to **16b**, **16c** or **16d** may reduce the noise level of the pump. This, however, will increase the duration of the recirculation run.

### 17 First Day Pump Operation

- For the first 24-hours of operation, Smart-Circ will learn hot water usage patterns and operate the pump based on the learned patterns. On the first day, when the tankless water heater has no learned patterns, the unit can be set to no pump operation (Pump Off/No Recirc) for the first 24 hours per Smart-Circ or to the pump operating (Pump On/Recirc) multiple times per hour depending on parameter setting **15**.

### 18 Smart-Circ with BLE Push Button

- Default setting is **18a**. With **18a**, Smart-Circ is disabled when a BLE push button is installed. With **18b**, Smart-Circ and a BLE push button work together.
- Up to five BLE push buttons can be installed. Refer to section “7.7 Bluetooth Low Energy (BLE) and App Instructions” on how to install the BLE push button.

NOTICE: California Title 24 does not allow timer-based recirculation system. It requires demand-based recirculation system. To comply with California Title 24, you should select **18A** setting, and install a BLE push button.

## 5.7.1 Recirculation (Determine Recirculation Mode)

Two recirculation modes are available:

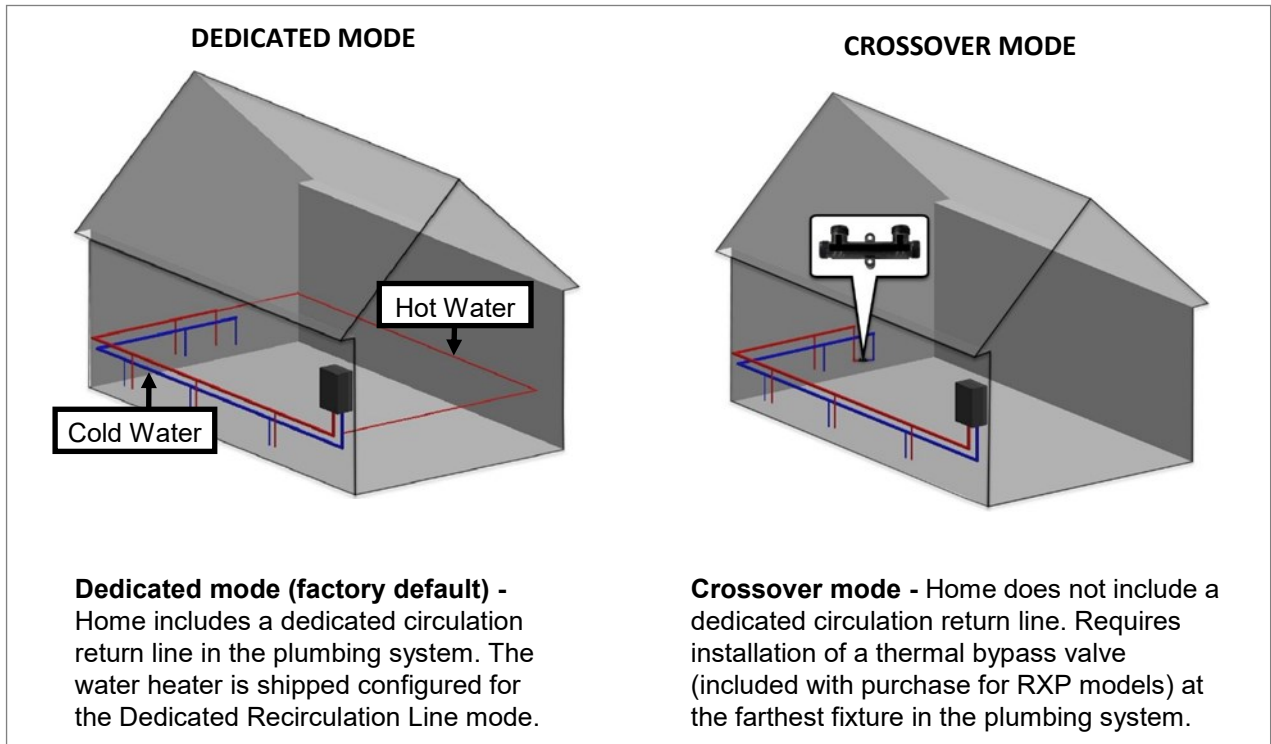


Figure 82

### General Guidelines:

- For the licensed installer / professional
- For installation in commercial and residential domestic hot water applications only.
- Rinnai strongly recommends installing insulation to the hot water and dedicated return lines to decrease the amount of heat loss.
- **DO NOT** install in combination with hydronic heating applications.
- **DO NOT** electronically manifold (EZConnect™) multiple RXP units together.
- **DO NOT** install the MC-195T-US Timer/Controller and Wi-Fi Module together as they are not compatible accessories.

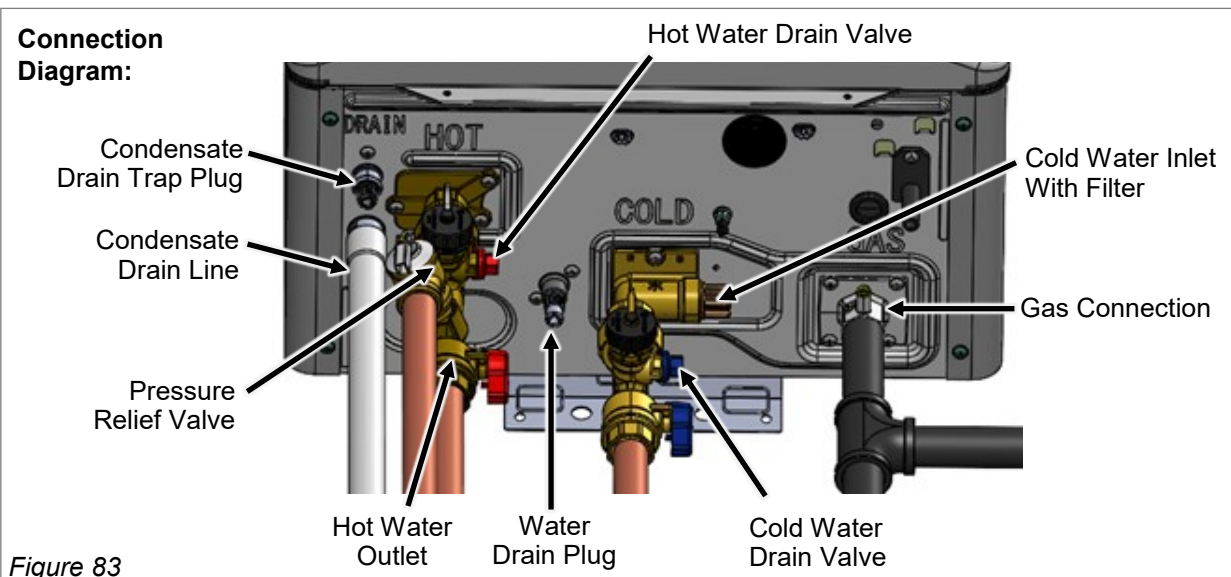


Figure 83

# 5.7.2 Recirculation (Crossover Mode)

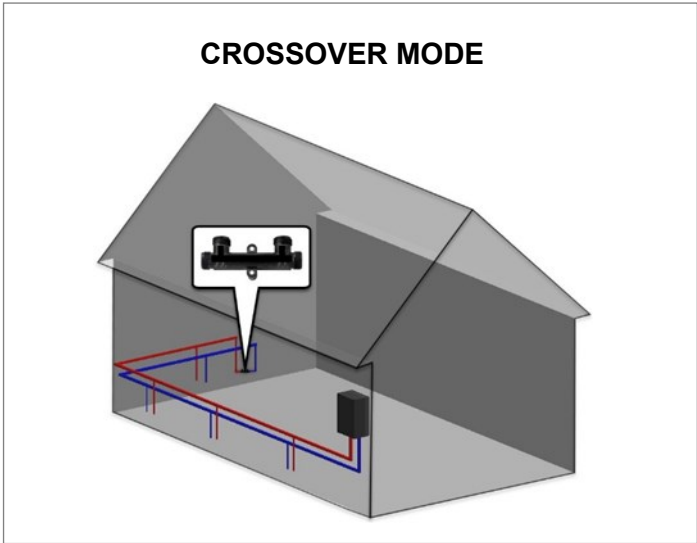


Figure 84

## Plumbing Diagram (Crossover Mode)

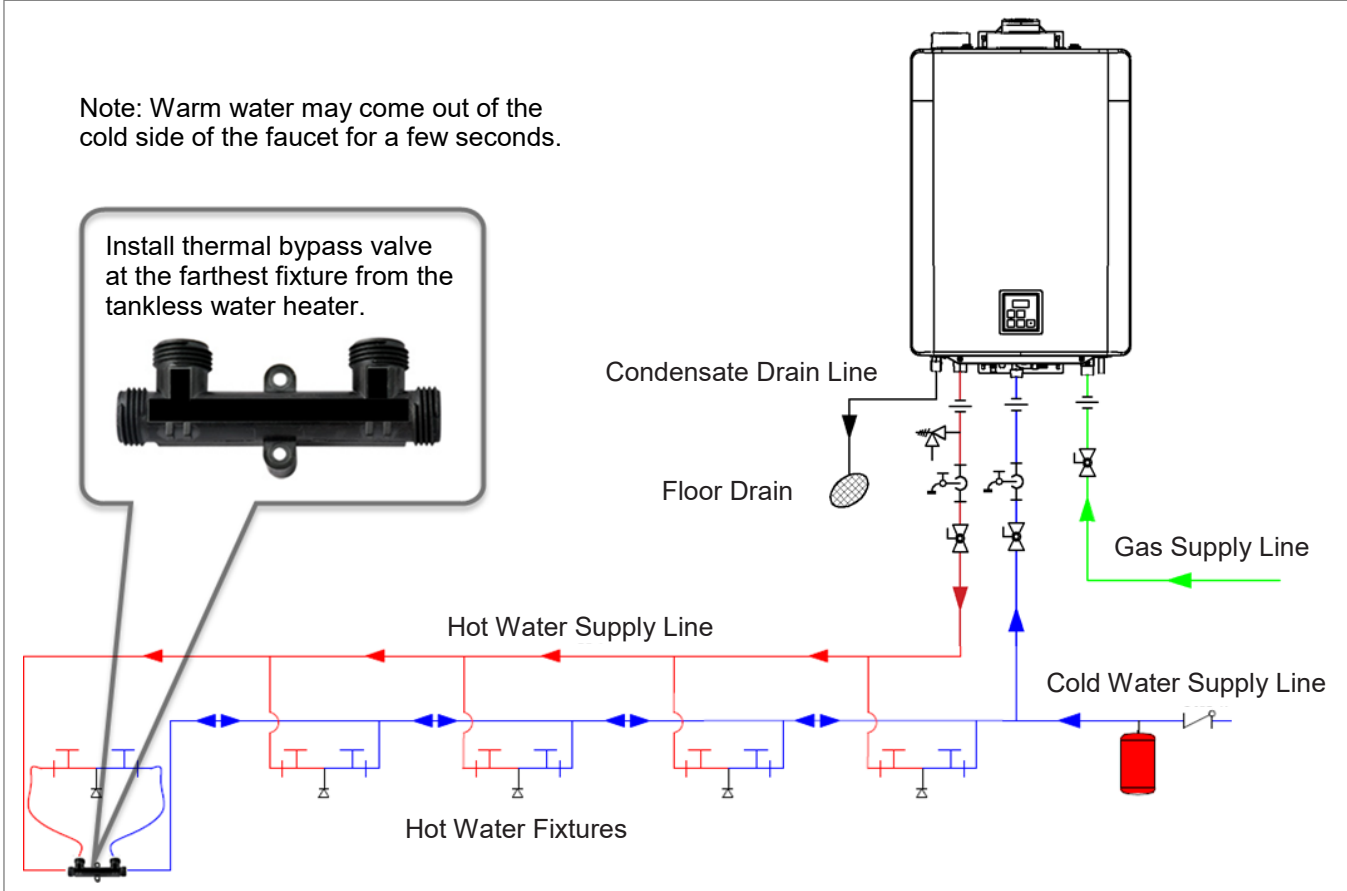


Figure 85

## Parameter Settings

Refer to section “4.13 Configure Parameter Settings” for instructions on how to access and change parameter settings.

Table 33

Setting #	Setting Description	Selection			
		a	b	c	d
04	Recirculation Settings	No Recirculation	Recirculation (Dedicated)	Recirculation (Crossover)	
05	Recirculation Mode	Economy	Comfort	Commercial	

### 04 Recirculation Settings

**Crossover Mode:** Adjust parameter setting to 04c for crossover recirculation applications. Maximum recirculation loop length of 400 ft (122m) with 3/4 in. pipe or 100 ft (30m) with 1/2 in. pipe

Pipe Diameter	3/4 in.	1/2 in.
Total	400 ft. (122 m)	100 ft. (30 m)

\*Take equivalent elbow lengths and all fittings into consideration when calculating pipe length.

Note: If your recirculation loop length exceeds the length listed in the above table, the recirculation loop may not provide proper heat to all fixtures.

### 05 Recirculation Modes

- **Economy (Factory Default):** Adjust parameter setting to 05A for Economy mode. This mode cycles the pump less often, using less energy to maintain the circulation loop temperature.
- **Comfort:** Adjust parameter setting to 05b for Comfort mode. This mode cycles the pump more frequently, ensuring the loop temperature remains higher (but also uses more energy).
- **Commercial:** Adjust parameter setting to 05C for Commercial mode. This mode cycles the pump on and off continuously, which may result in excessive machine wear and energy consumption.

Table 35

Pump Status	Typical Intervals	
Off	Economy	10
	Comfort	4
	Commercial	4

**IMPORTANT**  
The internal pump in an RXP model runs based on time intervals only and not water temperature (like dedicated return line recirculation systems).

### 5.7.3 Recirculation (Dedicated Mode)

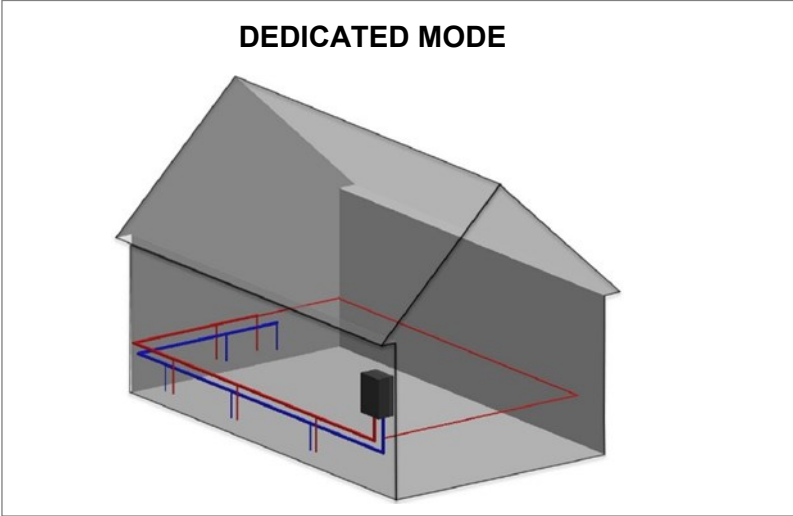


Figure 86

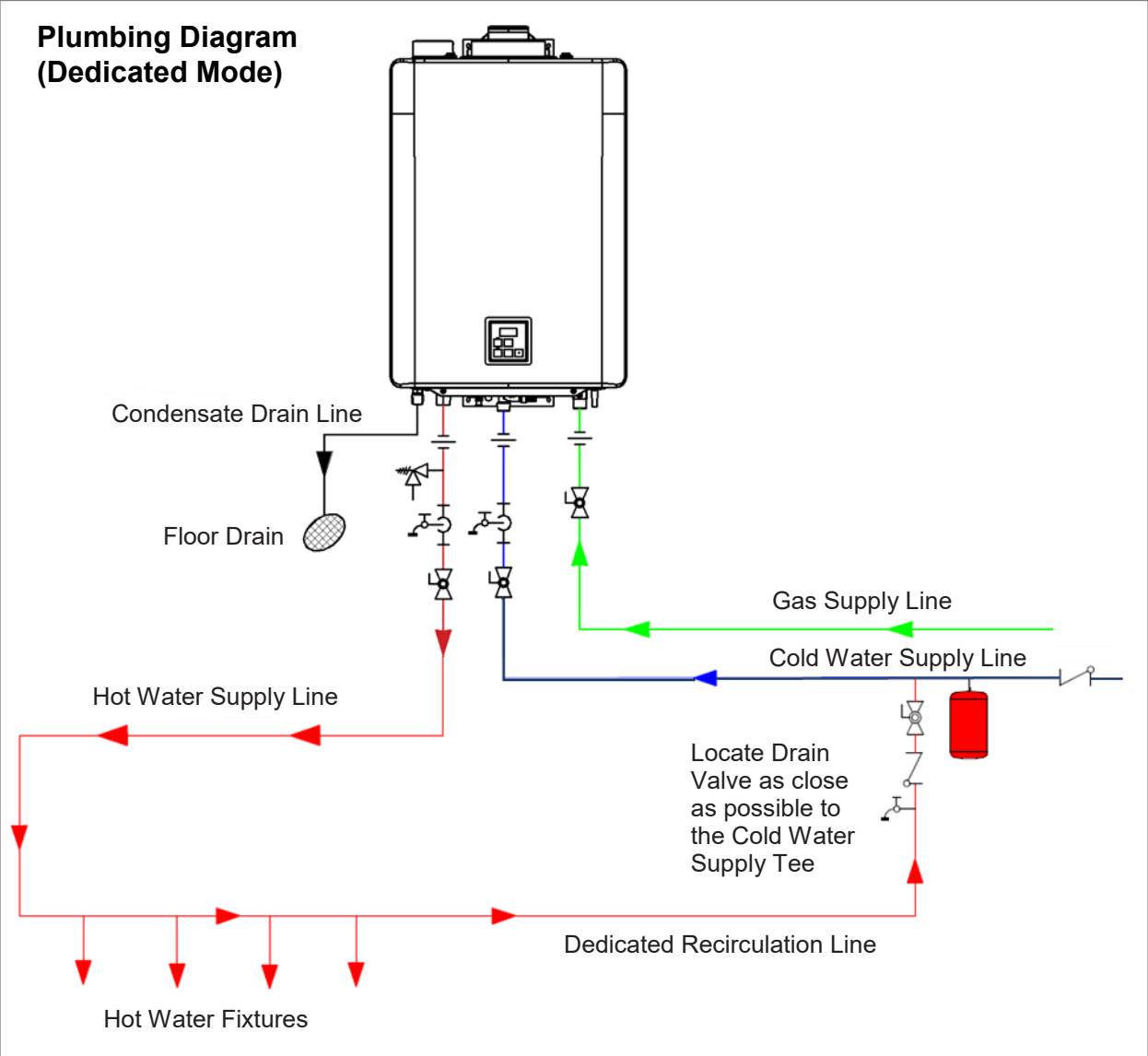


Figure 87



## Parameter Settings

Refer to the parameter setting section of this manual for instructions on how to access and change parameter settings.

Table 36

Setting #	Setting Description	Selection			
		A	b	C	d
04	Recirculation Settings	No Recirculation	Recirculation (Dedicated)	Recirculation (Crossover)	
05	Recirculation Mode	Economy	Comfort	Commercial Setting	

### 04 Recirculation Settings

**Dedicate Mode:** Adjust parameter setting to 04b for dedicated recirculation applications. Maximum recirculation loop length of 400 ft (122m) with 3/4 in. pipe or 100 ft (30m) with 1/2 in. pipe.

Table 37: Maximum Pipe Length*		
(Maximum pipe length includes the hot water supply line and dedicated return line.)		
Pipe Diameter	3/4 in.	1/2 in.
Total	400 ft. (122 m)	100 ft. (30 m)

\*Take equivalent elbow lengths and all fittings into consideration when calculating pipe length.

Note: If your recirculation loop length exceeds the length listed in the above table, the recirculation loop may not be heated up properly.

### 05 Recirculation Modes

- **Economy (Factory Default):** Adjust parameter setting to 05A for Economy mode. This mode cycles the pump less often, using less energy to maintain the circulation loop temperature.
- **Comfort:** Adjust parameter setting to 05b for Comfort mode. This mode cycles the pump more frequently, ensuring the loop temperature remains higher (but also uses more energy).
- **Commercial:** Adjust parameter setting to 05C for Commercial mode. This mode cycles the pump on and off continuously, which may result in excessive machine wear and energy consumption.

Table 38

	Rinnai Set Temperature												
	140	135	130	125	120	115	110	108	106	104	102	100	98
	Typical Pump OFF Intervals (Minutes)												
<b>Economy</b>	18	20	22	24	28	32	38	40	44	48	52	56	62
<b>Comfort</b>	9	10	11	12	14	16	19	20	22	24	26	28	31

# 6. Maintenance

## Topics in this section

- Maintenance
- Cleaning and Inspecting the Air Filter
- Flushing the Heat Exchanger
- Draining the Water Heater

## 6.1 Maintenance

This water heater must be inspected annually by a trained and qualified professional. Repairs and maintenance shall be performed by a trained and qualified professional. The trained and qualified professional must verify proper operation after servicing.

### **WARNING**

To protect yourself from harm, before performing maintenance:

- Turn off the electrical power supply by unplugging the power cord or by turning off the electricity at the circuit breaker. (The temperature controller does not control the electrical power.)
- Turn off the gas at the manual gas control valve, usually located immediately below the water heater.
- Turn off the incoming water supply. This can be done at the isolation valve immediately below the water heater or by turning off the water supply to the building.

### **WARNING**

Keep the appliance area clear and free from combustible materials, gasoline, and other flammable vapors and liquids.

The following maintenance items are required for the proper operation of your water heater.

### **CLEANING**

It is imperative that control compartments, burners, condensate collection and disposal system, vent screens and circulating air passageways of the appliance be kept clean.

### **BURNER**

Check burner flame for proper color. Once ignited, the flame must cover the surface of the burner. The flame must burn with a clear, blue, stable flame (refer to “Visual Inspection of Flame” section on next page). If the flame does not have this appearance, complete the following steps:

1. Turn off and disconnect electrical power. Allow to cool. Shut off gas supply.
2. Remove the front panel by removing the two screws and releasing two latches.
3. Remove the blower assembly and the gas valve assembly by removing three screws on the front of the burner assembly, and one screw on the gas piping at the bottom of the gas valve assembly.
4. Use a vacuum to remove dust from the main burner and fan blades. Back of the main burner can be accessed from the opening of burner assembly, and the fan blades can be accessed from the opening of the blower assembly. Do not use a wet cloth or spray cleaners on the burner. Do not use volatile substances such as benzene and thinners as they may ignite or fade the paint.
5. Inspect O-rings and gaskets prior to reassembly (replace if damaged).
6. Install and secure the blower assembly and gas valve assembly by the four screws, and install and secure the front panel by the two screws and two latches.

### **CONDENSATE COLLECTION AND DISPOSAL SYSTEM**

Periodic inspection and cleaning of the condensate collection and disposal system. Ensure condensate is flowing and the end of the drain is open to the atmosphere.

### **VENT SYSTEM**

Periodic cleaning and inspection of the vent system including screens in the vent termination. The vent system should be inspected for blockages including snow or other debris or damage. If the vent is blocked and cannot be easily cleared, contact a trained and qualified professional.

## MOTORS

Motors are permanently lubricated and do not need periodic lubrication. However you must keep fan and motor free of dust and dirt by cleaning annually.

## TEMPERATURE CONTROLLER

Use a soft damp cloth to clean the temperature controller. Do not use solvents.

## LIME/SCALE BUILD-UP

Scale build-up is caused by hard water and can be accelerated if the water heater is set at a high temperature. Refer to section “6.3 Flushing the Heat Exchanger” for more information. Refer to section “Water Quality Guidelines” to determine if your water needs to be treated or conditioned. The water must be potable, free of corrosive chemicals, sand, dirt, or other contaminants. It is up to the installer to ensure the water does not contain corrosive chemicals, or elements that can affect or damage the heat exchanger. Water that contains chemicals exceeding the levels required affect and damage the heat exchanger. Replacement of the heat exchanger due to water quality damage is not covered by the warranty.

## SNOW ACCUMULATION

Keep the area around flue terminal free of snow and ice. The water heater will not function properly if the combustion air or exhaust vent pipes are impeded (blocked or partially blocked) by obstructions.

Keep the condensate drain line free of snow and ice. Ensure the line is not blocked or clogged and that condensate is flowing freely.

## COASTAL INSTALLATIONS

Installations located in or near coastal areas may require additional maintenance due to corrosive airborne ocean salt. If corrosion is observed on the body of the water heater, the water heater shall be inspected to ensure proper operation and if necessary, repaired or replaced.

## FILTERS

- **Water Filter** — Clean the inlet water filter by closing the cold and hot water inlet isolation (shut-off) valves. Put a bucket under the filter at the bottom of the water heater to catch any water that is contained inside the unit. Unscrew the water filter. Rinse the filter to remove any debris. Install the filter and open the isolation valves.
- **Air Filter** — See section “6.2 Cleaning and Inspecting the Air Filter” for more information.

## PRESSURE RELIEF VALVE

Operate the pressure relief valve manually once a year. In doing so, it will be necessary to take precautions with regard to the discharge of potentially scalding hot water under pressure. Ensure discharge has a safe place to flow. Contact with your body or other property may cause damage or harm.

### **WARNING**

Testing the pressure relief valve should only be performed by a trained and qualified professional. Water discharged from the pressure relief valve could cause severe burns instantly or death from scalds.

## VISUAL INSPECTION OF FLAME

Verify proper operation after servicing. The burner must flame evenly over the entire surface when operating correctly. The flame must burn with a clear, blue, stable flame. See the parts breakdown of the burner for the location of the view ports.

The flame pattern should be as shown in the images below:

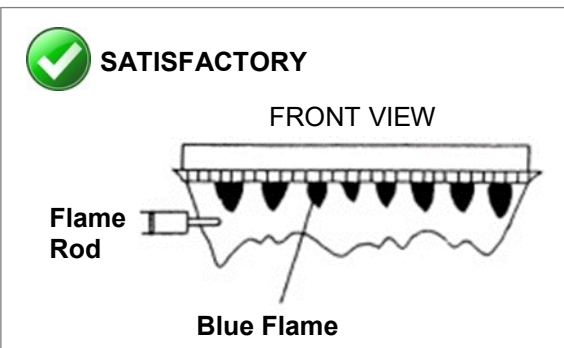


Figure 88

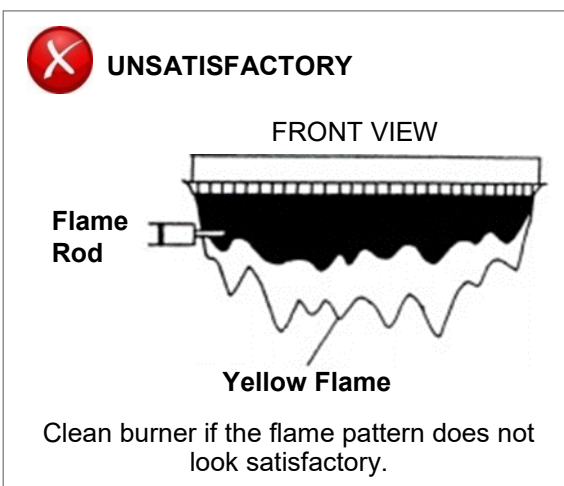


Figure 89

## FREEZE PROTECTION

Make sure in case of freezing weather that the water heater and its water lines are adequately protected to prevent freezing. Damage due to freezing is not covered by the warranty. Refer to the "Freeze Protection" section (Section 4.3 Choose an Installation Location > Freeze Protection). The water heater may be drained manually. However, it is highly recommended that drain down solenoid valves be purchased and installed, which will automatically drain the water heater if power is lost. (The condensate trap drain plug and Pressure Relief Valve are not affected by the auto drain down solenoid valves and will have to be manually opened.)

## WINTERIZATION

The following recommendations are intended to suggest practices that are effective for winterizing the water heater. They should be used as a guide only. No liability is assumed for any issues resulting from the use of this information.

Note: See section "6.4 Draining the Water Heater" for detailed instructions on:

- Draining the water heater
- Running a low volume of water through the water heater to prevent freezing
- Steps to take when the water heater or external pipes have frozen

# 6.2 Cleaning and Inspecting the Air Filter

## INSPECTION

- To maintain optimum performance, periodically inspect the air filter.
- If the air filter appears to have lint and/or dust build up, follow the cleaning procedure described below.
- If the air filter appears damaged, contact a trained and qualified professional for a replacement air filter assembly.

## CLEANING

### 1. Power OFF the water heater:

- Push the "On/Off" button located on the right-hand side of the controller. The display will go blank when the power is off.

### 2. Remove the front panel:

- Remove the two screws securing the front panel and release the two latches.
- Remove the front panel and locate the filter at the upper right-hand corner of the water heater.
- Remove the air filter by pulling out the "FILTER Pull to Clean" tab.

### 3. Clean the air filter:

- With mild dish soap and a soft bristle brush, scrub the filter area of the air filter door.
- With clean water, rinse the soap off the filter.

### 4. Dry the air filter:

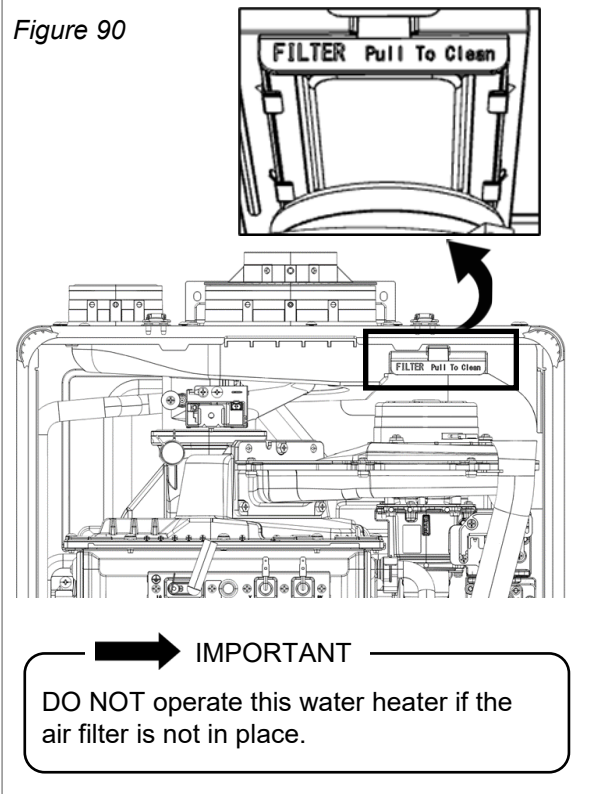
- With a lint free towel, dry the air filter.

### 5. Inspect and Replace the air filter:

- Inspect the air filter for any debris that may restrict air flow to the water heater.
- If the filter still appears dirty repeat the cleaning steps.
- Replace the air filter.

### 6. Install the front panel and power ON the water heater.

Figure 90

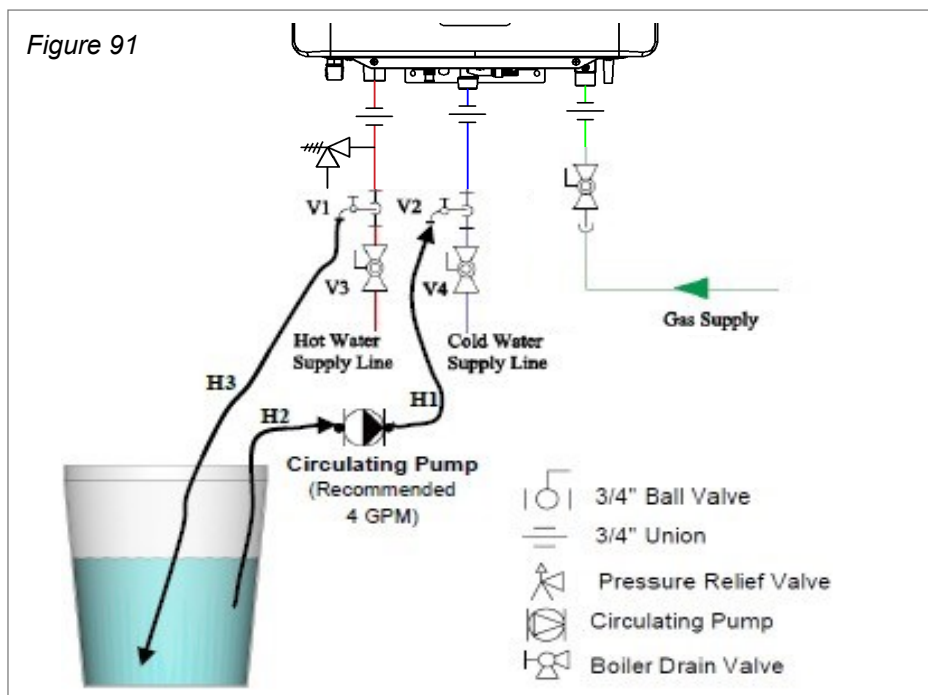


**IMPORTANT**  
DO NOT operate this water heater if the air filter is not in place.

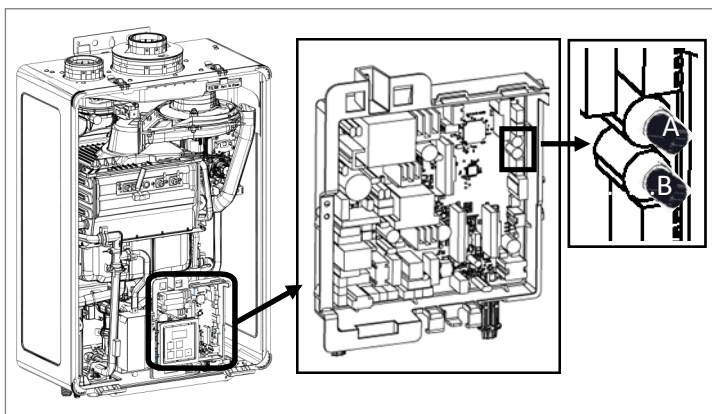
## 6.3 Flushing the Heat Exchanger

This water heater includes a service indicator/reminder (Service Soon, 55). When selected in the parameter settings, an 55 code will display on the controller indicating that it is time to flush and service the water heater. An LC diagnostic code also indicates the unit is beginning to lime/scale up and must be flushed. Failure to flush the appliance will cause damage to the heat exchanger. Damage caused by lime/scale build-up is not covered by the water heater's warranty. Rinnai strongly recommends installation of isolation valves to allow for flushing of the heat exchanger.

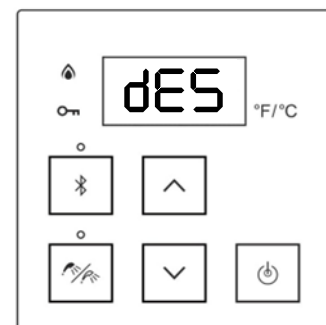
1. Shut off gas supply and turn off the controller.
2. Close the shutoff valves on both the hot water and cold water lines (V3 and V4).
3. Connect pump outlet hose (H1) to the cold water line at service valve (V2).
4. Connect drain hose (H3) to the hot water line at service valve (V1).
5. Pour four gallons of undiluted virgin, food grade, white vinegar into pail.
6. Place the drain hose (H3) and the hose (H2) to the pump inlet into the cleaning solution.
7. Open both service valves (V1 and V2) on the hot water and cold water lines.



8. Remove the water heater front panel by removing two screws and releasing two latches.
9. Locate the PC Board at lower of unit (Figure 92).
10. Locate the push buttons (A and B) on the PC board.
11. Press the "B" button for 1 second and release when display shows "dES" (descaling). Push the "A" button. "dES" starts blinking.



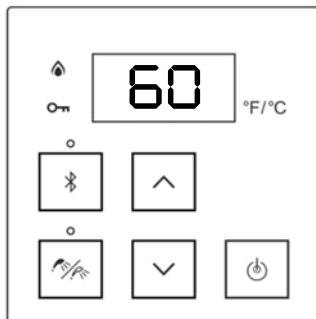
*Figure 92*



*Figure 93*

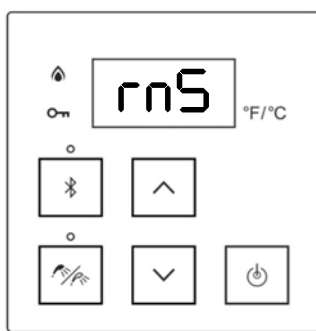
12. Operate the pump and allow the vinegar to circulate through the water heater for at least 1 hour at a rate of four gallons per minute (15.1 liters per minute).
13. Display shows “60” (Figure 94) which indicates the remaining flush time in minutes. The number decreases by 1 every minute. For some reasons, flushing needs to be paused, stop the pump. The number on the display does not decrease while the unit does not detect water flow. When the pump resumes operation, the remaining flush time resumes decreasing as well.

Figure 94



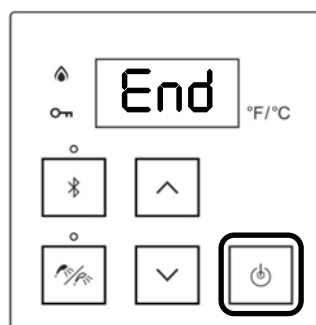
14. After 60 minutes flushing time completes, display shows “rnS” (rinsing) (Figure 95) and beeping sound is observed.

Figure 95



15. Turn off the pump.
16. Rinse the vinegar from the water heater as follows:
  - A. Remove the free end of the drain hose (H3) from the pail. Place in sink or outside to drain.
  - B. Close service valve (V2) and open shutoff valve (V4). Do not open shutoff valve (V3).
  - C. Allow water to flow through the water heater for five minutes.
  - D. Close shutoff valve (V4). When unit has finished draining remove the in-line filter at the cold water inlet and clean out any residue. Place filter back into unit and open valve (V4).
  - E. Close service valve (V1) and open shutoff valve (V3).
17. Push the power button, and the display shows “End” (Figure 96).

Figure 96



18. Disconnect all hoses.
19. Install the front panel, restore gas supply to the water heater, and push the power button twice on the controller to put the unit back to normal mode.

**NOTE**

Scale build-up will affect the performance of the water heater. Water should be treated. Rinnai offers Southeastern Filtration’s “ScaleCutter Water Conditioning System” that provides superior lime scale prevention and corrosion control by feeding a blend of scale control compounds into the cold water supply.

## 6.4 Draining the Water Heater

### **WARNING**

To avoid burns, wait until the equipment cools down before draining the water. The water in the appliance will remain hot after it is turned off.

If the water heater is not going to be used during a period of possible freezing weather, it is recommended that the water inside the water heater be drained.

#### To manually drain the water:

1. Shut off cold water supply and gas supply.
2. Turn off the controller.
3. Disconnect the power to the water heater.
4. Close the hot and cold isolation valves.
5. Open the pressure relief valve (PRV) lever.
6. Open the hot and cold drain valves.
7. Remove the condensate trap drain plug and allow to drain.
8. Remove the pump drain plug (for RXP models only).

#### To resume normal operation:

1. Confirm that the gas supply is turned off, all taps are closed and PRV lever is closed.
2. Insert the condensate trap drain plug.
3. Insert the pump drain plug (for RXP models only).
4. Close the hot and cold drain valves.
5. Open the cold and hot water isolation valves.
6. Open a tap and confirm that water flows, and then close.
7. Connect power to the water heater.
8. After confirming that the controller is off, turn on the gas supply.
9. Turn on the controller.

#### Running a low volume of water through the water heater to prevent freezing:

If the temperature exceeds the ability of the water heater to freeze protect itself, or if power is lost, the following steps may prevent the water heater and external piping from freezing. Units connected with EZConnect™ (2-unit link) should be drained to prevent freezing if not in use.

1. Turn the water heater off and close the gas supply valve.
2. Turn on a hot water tap to flow water about 0.1 gal/min (0.4 L/min) or where the stream is about 0.2 in. (5 mm) thick.

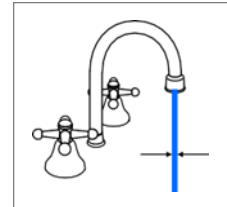


Figure 97

#### When the water heater or external piping has frozen:

1. Do not operate the water heater if it or the external piping is frozen.
2. Close the gas and water valves and turn off the power.
3. Wait until the water thaws. Check by opening the water supply valve.
4. Check the water heater and the piping for leaks.

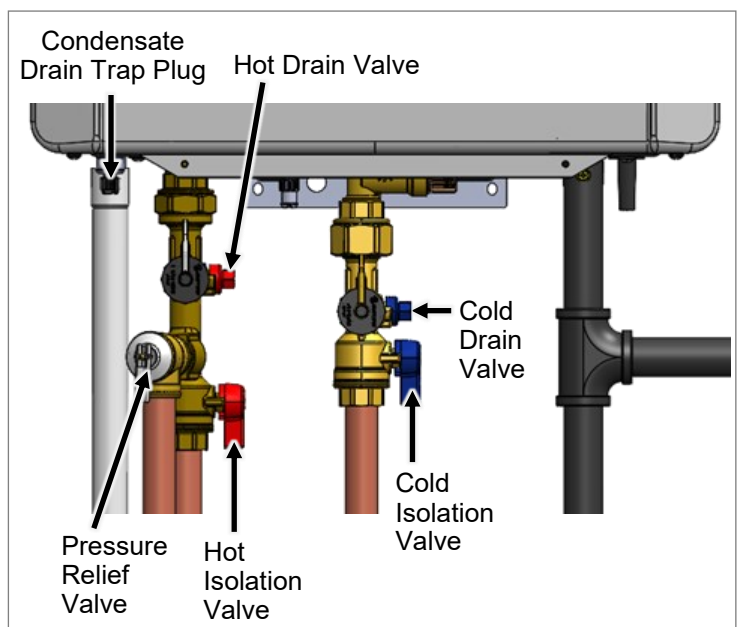


Figure 98

# 7. Appendices

## Topics in this section

- Massachusetts State Gas Regulations
- Wiring Diagram
- Ladder Diagram
- Pressure Drop Curves
- Water Flow and Pump Performance Curves
- Guidelines for Additional Temperature Controllers
- Bluetooth Low Energy (BLE) and App Instructions
- Federal Communication Commission Interference Statement
- Industry Canada Statement

## 7.1 Massachusetts State Gas Regulations

### For Gas Models Sold in Massachusetts

#### NOTICE BEFORE INSTALLATION:

This direct-vent appliance must be installed by a properly trained and qualified professional. If you are not properly trained, you must not install this unit.

#### IMPORTANT: In the State of Massachusetts (248 CMR 4.00 & 5.00):

For all side wall horizontally vented gas fueled equipment installed in every dwelling, building or structure used in whole or in part for residential purposes, including those owned or operated by the Commonwealth and where the side wall exhaust vent termination is less than 7 ft above finished grade in the area of the venting, including but not limited to decks and porches, the following requirements shall be satisfied:

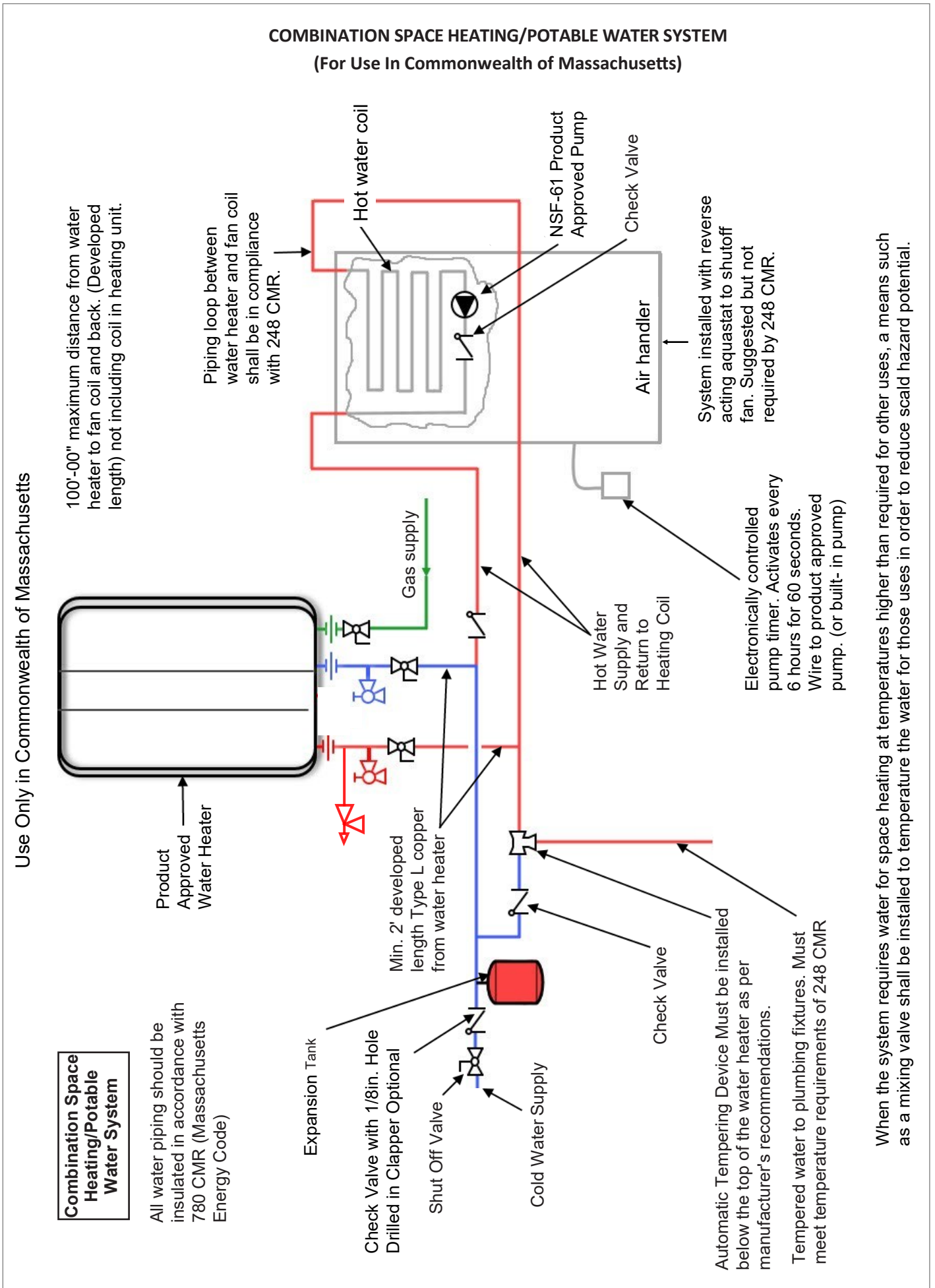
1. **INSTALLATION OF CARBON MONOXIDE DETECTORS.** At the time of installation of the side wall horizontal vented gas fueled equipment, the installing plumber or gas fitter shall observe that a hard-wired carbon monoxide detector with an alarm and battery back-up is installed on the floor level where the gas equipment is to be installed.

In addition, the installing plumber or gas fitter shall observe that a battery operated or hard wired carbon monoxide detector with an alarm is installed on each additional level of the dwelling, building or structure served by the side wall horizontal vented gas fueled equipment. It shall be the responsibility of the property owner to secure the services of a trained and qualified professional for the installation of hard-wired carbon monoxide detectors.

- A. In the event that the side wall, horizontally vented gas fueled equipment is installed in a crawl space or an attic, the hard-wired carbon monoxide detector with alarm and battery back-up may be installed on the next adjacent floor level.
  - B. In the event that the requirements of this subdivision cannot be met at the time of completion of installation, the owner shall have a period of thirty (30) days to comply with the above requirements; provided, however, that during said thirty (30) day period, a battery operated carbon monoxide detector with an alarm shall be installed.
2. **APPROVED CARBON MONOXIDE DETECTORS.** Each carbon monoxide detector as required in accordance with the above provisions shall comply with NFPA 720 and be ANSI/UL 2034 listed and IAS certified.
  3. **SIGNAGE.** A metal or plastic identification plate shall be permanently mounted to the exterior of the building at a minimum height of 8 ft above grade directly in line with the exhaust vent terminal for the horizontally vented gas fueled heating appliance or equipment. The sign shall read, in print size no less than one-half (1/2) inch in size, **“GAS VENT DIRECTLY BELOW. KEEP CLEAR OF ALL OBSTRUCTIONS.”**
  4. **INSPECTION.** The state or local gas inspector of the side wall horizontally vented gas fueled equipment shall not approve the installation unless, upon inspection, the inspector observes carbon monoxide detectors and signage installed in accordance with the provisions of 248 CMR 5.08(2)(a)1 through 4.

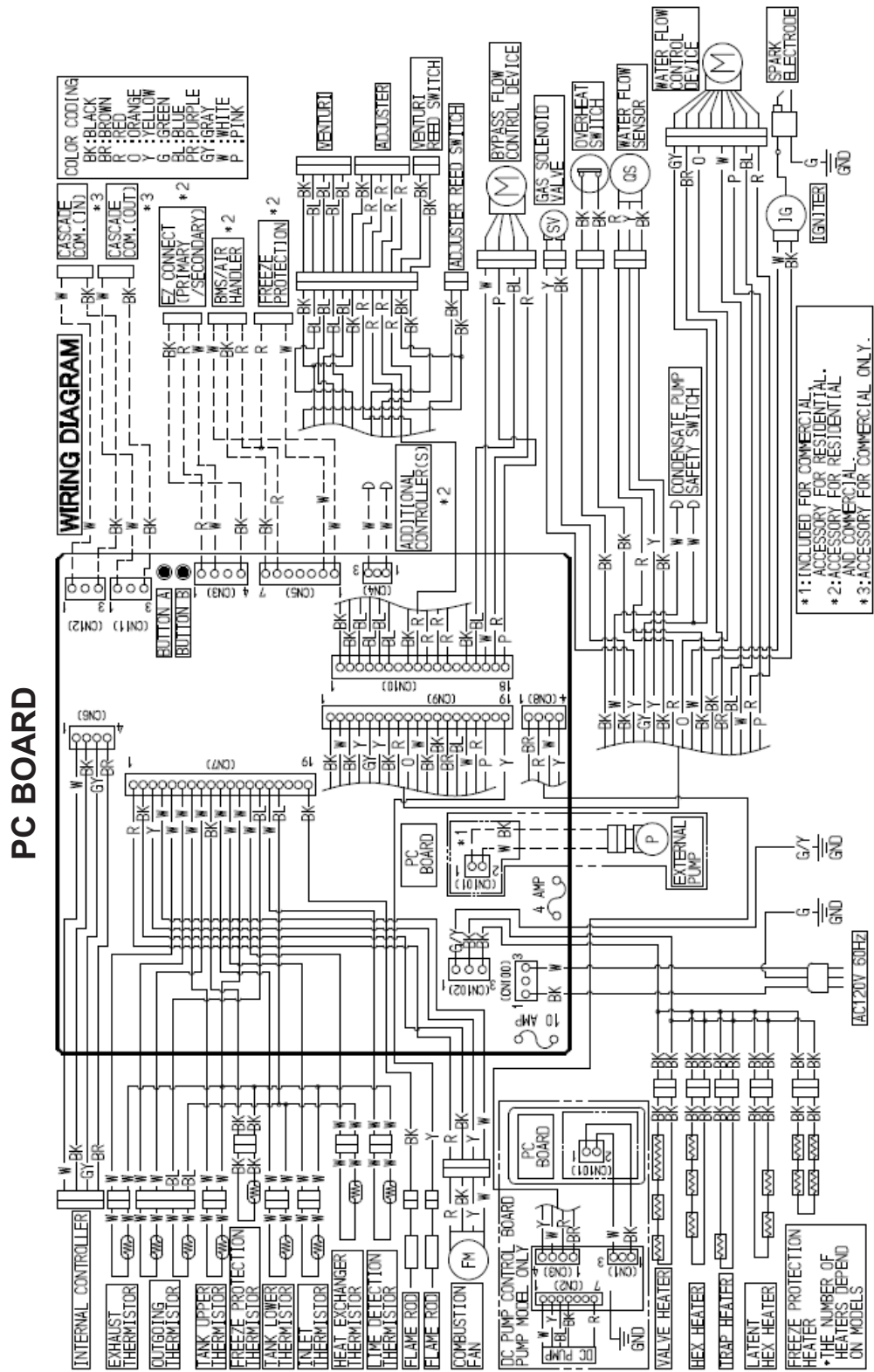


Figure 99



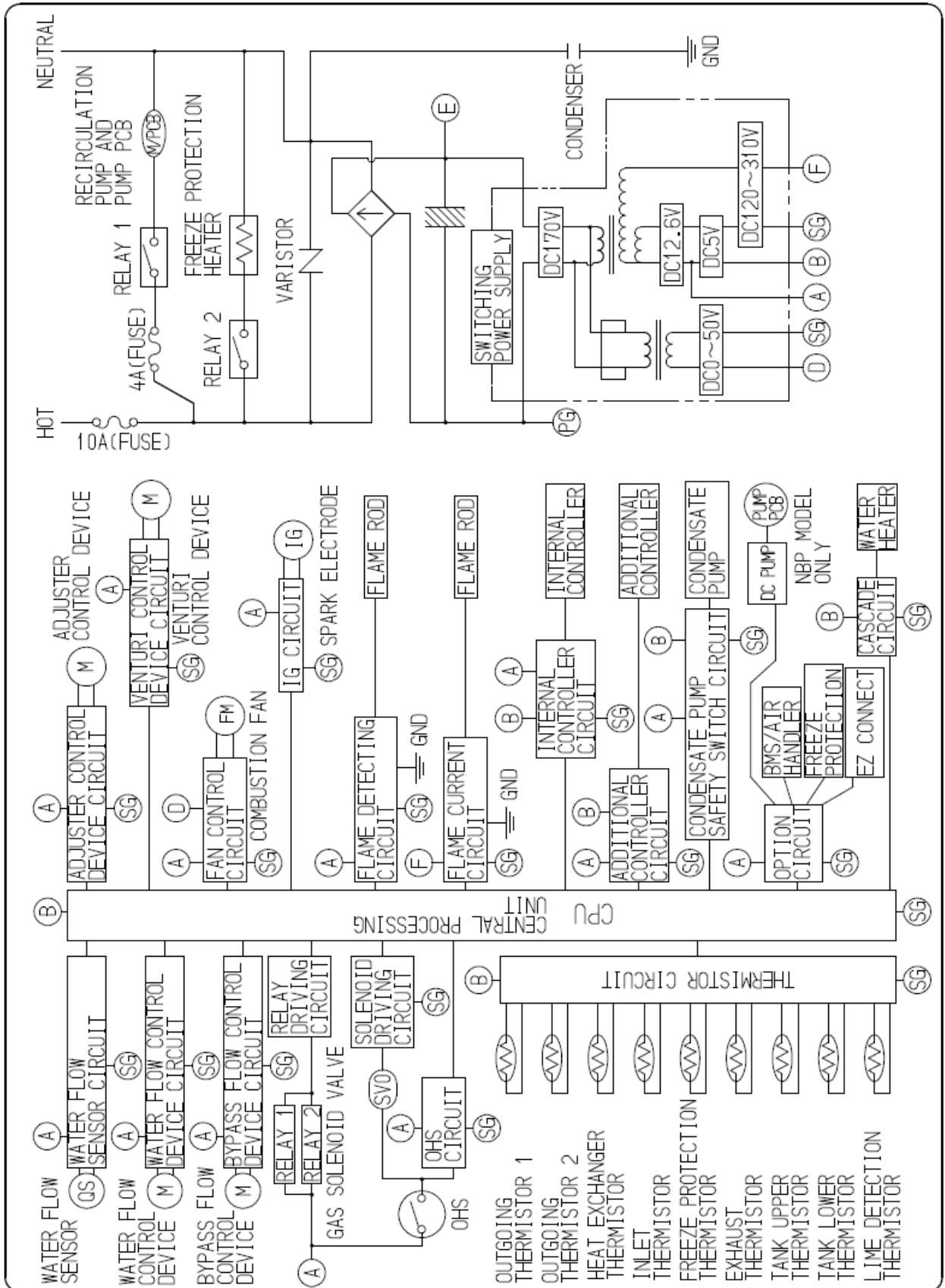
# 7.2 Wiring Diagram

Figure 100



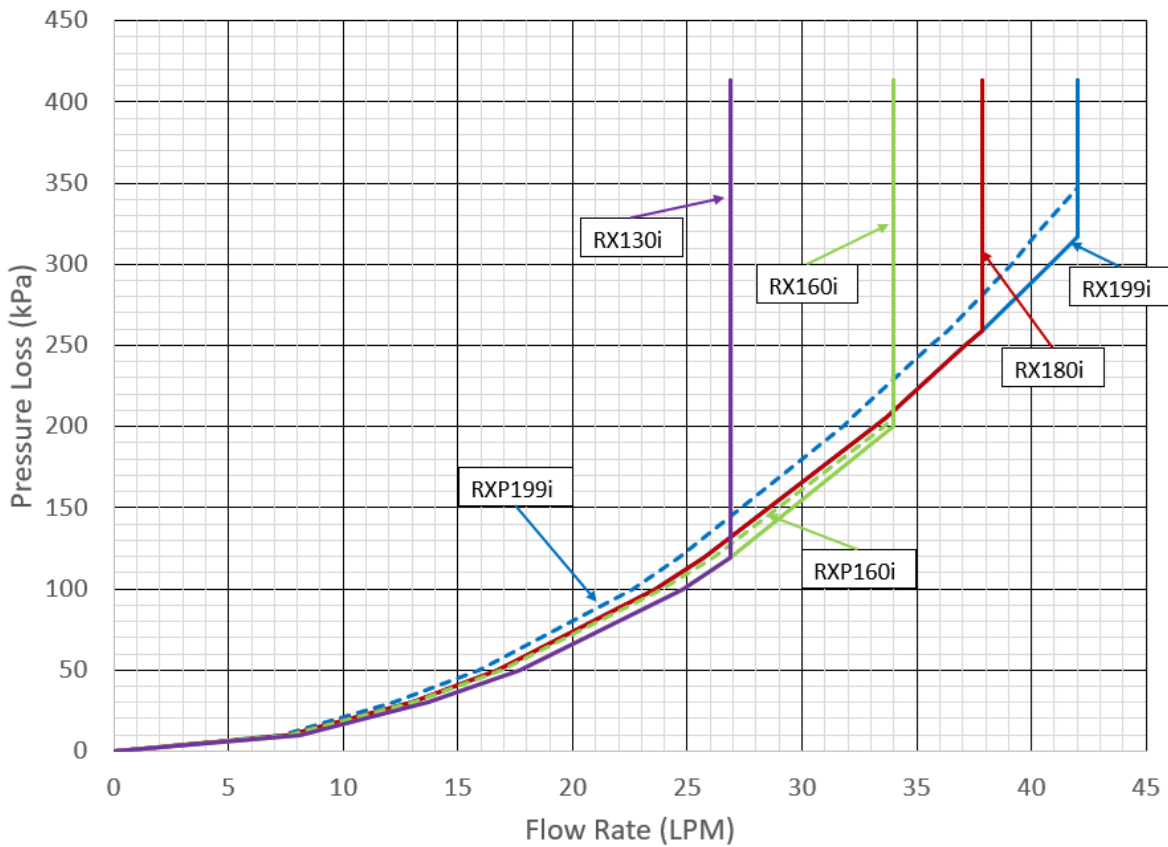
# 7.3 Ladder Diagram

Figure 101



# 7.4 Pressure Drop Curves

**Pressure Drop Curve: Metric (SI) System:**



**Pressure Drop Curve: Imperial (British) System:**

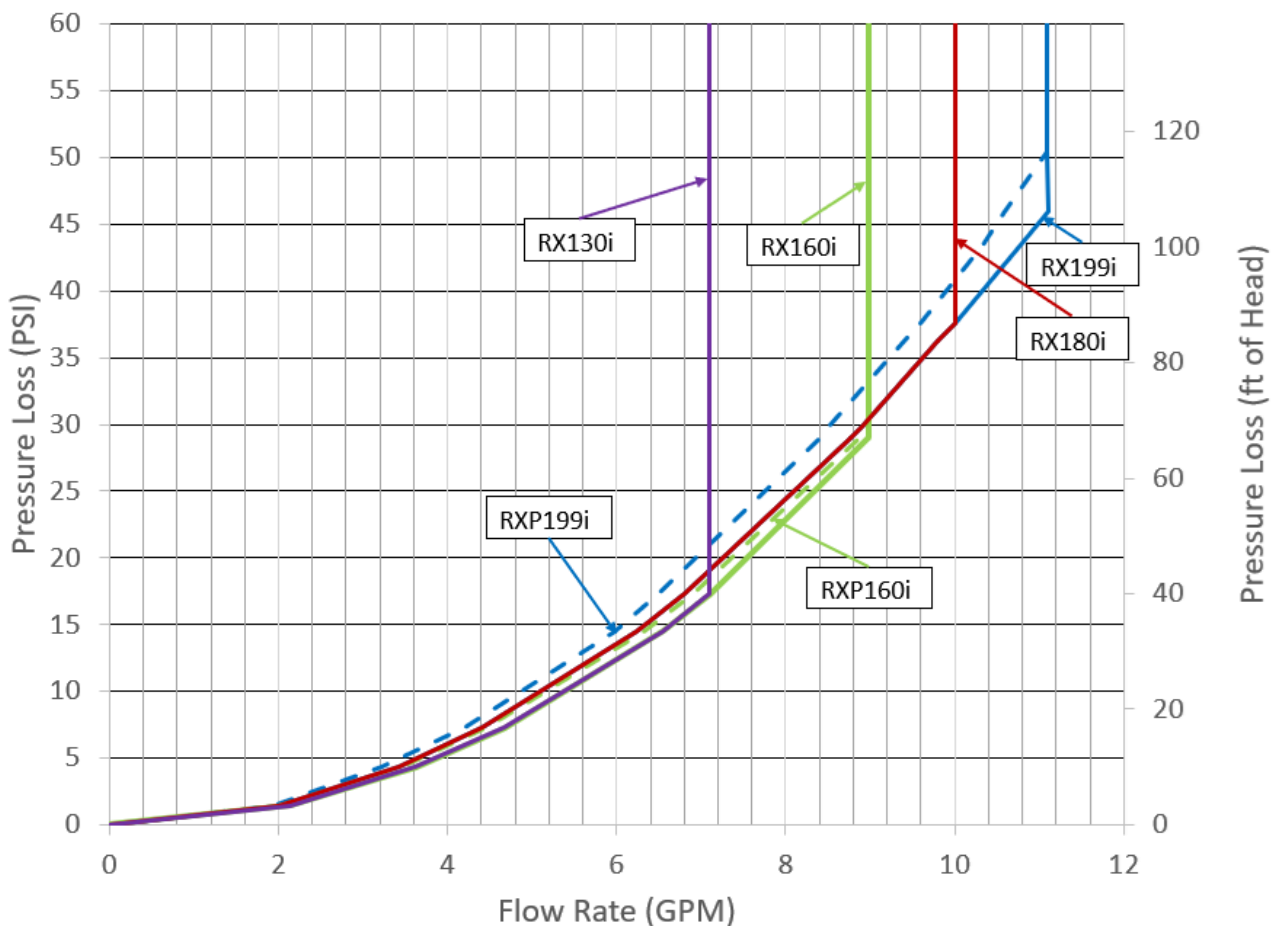


Figure 102

# 7.5 Water Flow and Pump Performance Curves

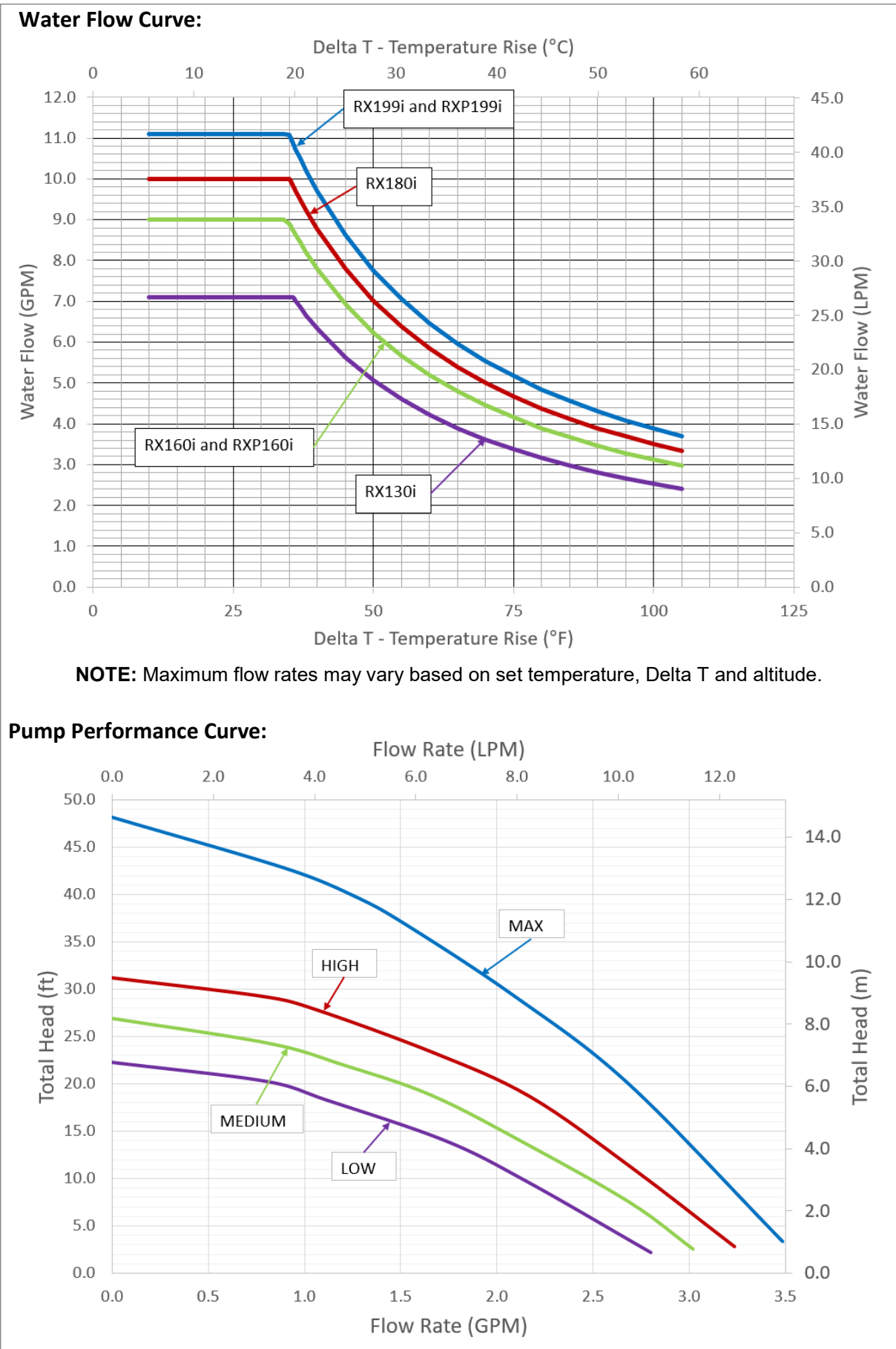


Figure 103

# 7.6 Guidelines for Additional Temperature Controllers

All Rinnai Tankless Water Heaters are equipped with an integrated digital temperature controller that allows for a precise water temperature set- point. Additional digital temperature controllers are available as accessories and must be purchased separately (detailed installation steps included with purchase).

### Wiring

A maximum of four temperature controllers can be installed for a water heater or bank of water heaters; this includes the controller built into a Rinnai Tankless Water Heater. Controllers can only be wired in parallel; they cannot be wired in series.

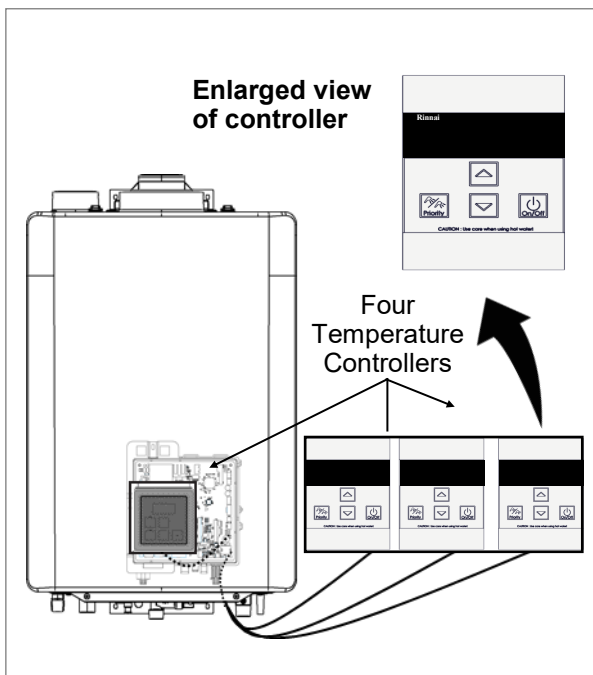


Figure 104

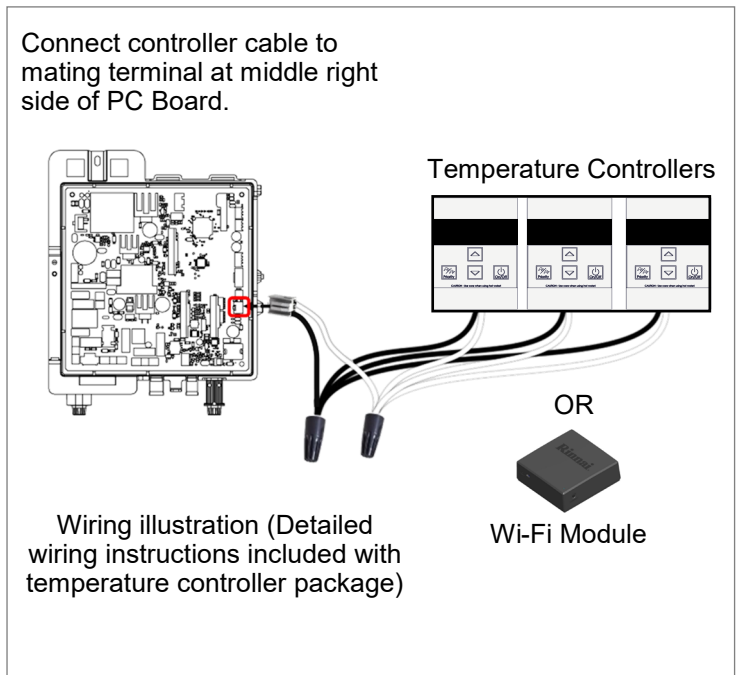


Figure 105

### Cable Lengths and Sizes

The temperature controller cable should be a non- polarized two-core cable with a minimum gauge of 22 AWG. The maximum cable length from each temperature controller to the water heater depends on the total number of wired controllers connected to the water heater.

Table 39

Number of Wired Controllers	Maximum Cable Length for Each Controller to Water Heater
1	328 ft (100 m)
2	164 ft (50 m)
3	65 ft (20 m)

### Location

- The temperature controller should be out of reach of small children.
- Avoid locations where the temperature controller may become hot (near an oven or radiant heater).
- Avoid locations in direct sunlight. The digital display may be difficult to read in direct sunlight.
- Avoid locations where the temperature controller could be splashed with liquids.
- Do not install in locations where the temperature controller can be adjusted by the public.

### IMPORTANT

- DO NOT install the MC-195T-US Timer/Controller and Wi-Fi Module together as they are not compatible accessories.
- SmartCirc™ is not available with the use of MC195T or Wi-Fi module.

## 7.7 Bluetooth Low Energy (BLE) and App Instructions

Instructions on this page are correct at the time of publishing; however, these instructions may be updated without notice. To make sure you have the most current instructions, please visit [rinnai.us/wifi](http://rinnai.us/wifi) (for United States installations) or [rinnai.ca/wifi](http://rinnai.ca/wifi) (for Canadian installations).

### To download the Rinnai Central app:

1. Scan the QR code shown to the right.
2. Download the Rinnai Central app from the app store.

### To configure your tankless water heater using the Rinnai Central app:

Note: To use the Rinnai Central app BLE feature with your tankless water heater, your connecting device (smartphone, tablet, computer, etc) must support Bluetooth 4.0 or newer. Contact your connecting device manufacturer if you are not sure if your device supports Bluetooth 4.0 or newer.



1. Press and release the Bluetooth button on the controller. The Bluetooth LED on the controller turns solid blue.
2. Log into the Rinnai Central app with a professional account and choose “Connect to a Rinnai Tankless Water Heater.”
3. Follow the Rinnai Central app through setting up your tankless water heater.

### To connect a Rinnai BLE push button to your tankless water heater:

1. Press and hold the Bluetooth button on the controller until the Bluetooth LED on the controller starts blinking.
2. Press and hold the Rinnai BLE push button until the Bluetooth LED on the controller stops blinking. Now the Rinnai BLE push button is paired with your tankless water heater. Pressing the Rinnai BLE push button starts recirculation of your tankless water heater.

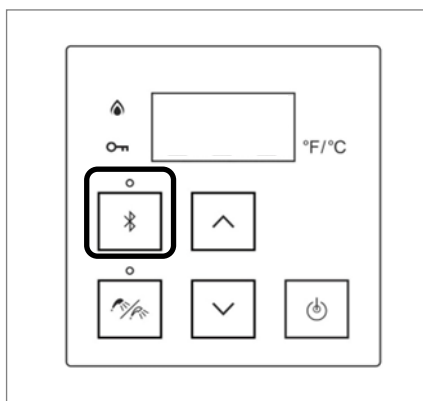


Figure 106

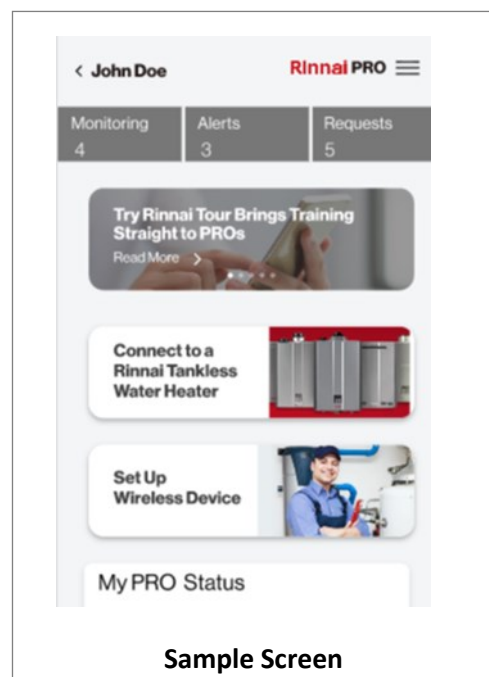


Figure 107

## 7.8 Federal Communication Commission (FCC) Interference Statement

### **FCC Interference Statement:**

This device complies with Part 15 of the FCC Rules. Operation is subject to the following two conditions: (1) This device may not cause harmful interference, and (2) this device must accept any interference received, including interference that may cause undesired operation.

This equipment has been tested and found to comply with the limits for a Class B digital device, pursuant to Part 15 of the FCC Rules. These limits are designed to provide reasonable protection against harmful interference in a residential installation. This equipment generates, uses and can radiate radio frequency energy and, if not installed and used in accordance with the instructions, may cause harmful interference to radio communications. However, there is no guarantee that interference will not occur in a particular installation. If this equipment does cause harmful interference to radio or television reception, which can be determined by turning the equipment off and on, the user is encouraged to try to correct the interference by one of the following measures:

- Reorient or relocate the receiving antenna.
- Increase the separation between the equipment and receiver.
- Connect the equipment into an outlet on a circuit different from that to which the receiver is connected.
- Consult the dealer or an experienced radio/TV technician for help.

FCC Caution: Any changes or modifications not expressly approved by the party responsible for compliance could void the user's authority to operate this equipment.

This transmitter must not be co-located or operating in conjunction with any other antenna or transmitter.

### **Radiation Exposure Statement:**

The product comply with the FCC portable RF exposure limit set forth for an uncontrolled environment and are safe for intended operation as described in this manual. The further RF exposure reduction can be achieved if the product can be kept as far as possible from the user body or set the device to lower output power if such function is available.



## 7.9 Industry Canada Statement

IC

This device complies with ISED's licence-exempt RSSs. Operation is subject to the following two conditions: (1) This device may not cause harmful interference, and (2) this device must accept any interference received, including interference that may cause undesired operation.

Le présent appareil est conforme aux CNR d'ISED applicables aux appareils radio exempts de licence. L'exploitation est autorisée aux deux conditions suivantes : (1) le dispositif ne doit pas produire de brouillage préjudiciable, et (2) ce dispositif doit accepter tout brouillage reçu, y compris un brouillage susceptible de provoquer un fonctionnement indésirable.

### **Radiation Exposure Statement:**

This equipment complies with ISED radiation exposure limits set forth for an uncontrolled environment. This equipment should be installed and operated with minimum distance 20cm between the radiator & your body.

### **Déclaration d'exposition aux radiations:**

Cet équipement est conforme aux limites d'exposition aux rayonnements ISED établies pour un environnement non contrôlé. Cet équipement doit être installé et utilisé avec un minimum de 20 cm de distance entre la source de rayonnement et votre corps.

# 8. Warranty

## What is Covered?

The Rinnai Standard Limited Warranty covers any defects in materials or workmanship when the product is installed and operated according to Rinnai written installation instructions, subject to the terms within this Limited Warranty document. This Limited Warranty applies only to products that are installed correctly in the United States and Canada. Improper installation may void this Limited Warranty. It is recommended that a trained and qualified professional who has attended a Rinnai installation training class complete your installation. This Limited Warranty coverage, as set out in the table below, extends to the original purchaser and subsequent owners, but only while the product remains at the site of the original installation, and terminates if the product is moved or reinstalled at a new location.

Table 40

Item	Period of Coverage (From Date of Purchase)	
	Residential Applications	Commercial Applications
Heat Exchanger	15 Years <sup>1</sup>	8 Years <sup>2</sup>
All Other Parts and Components	5 Years	5 Years
Reasonable Labor	1 Year	1 Year

<sup>1</sup> For residential applications, the heat exchanger warranty is 15 years or 12,000 operation hours, whichever occurs first.

<sup>2</sup> For commercial applications, the heat exchanger warranty is 8 years or 12,000 operation hours, whichever occurs first.

### Notes:

- From date of purchase, period of coverage is reduced to 8 years or 12,000 operation hours, whichever occurs first, if the Rinnai Tankless Water Heater temperature settings exceed 160°F (71°C).
- The integrated controller has a 1 year warranty on parts.

## What Will Rinnai Do?

Rinnai will repair or replace the covered product or any part or component that is defective in materials or workmanship as set forth in the above table. Rinnai will pay reasonable labor charges associated with the repair or replacement of any such part or component during the term of the labor warranty period. All repair parts must be genuine Rinnai parts. All repairs or replacements must be performed by a qualified professional who is properly trained to do the type of repair.

Replacement of the product may only be authorized by Rinnai at its sole discretion. Rinnai does not authorize any person or company to assume for it any obligation or liability in connection with the replacement of the product. If Rinnai determines that repair of a product is not possible, Rinnai may replace the product with a comparable product at Rinnai's sole discretion. The warranty claim for product parts and labor may be denied if a component or product returned to Rinnai is found to be free of defects in material or workmanship; damaged by improper installation, use or operation; or damaged during return shipping.

## How To Obtain Service

For the name of a trained and qualified professional, please contact your place of purchase, visit the Rinnai website ([www.rinnai.us](http://www.rinnai.us)), call Rinnai at 1-800-621-9419 or write to Rinnai at 103 International Drive, Peachtree City, Georgia 30269.

Proof of purchase is required to obtain warranty service. You may show proof of purchase with a dated sales receipt, or by registering within 30 days of purchasing the product. To register your Rinnai Tankless Water Heater, please visit [www.rinnai.us](http://www.rinnai.us). For those without internet access, please call 1-800-621-9419. Receipt of registration by Rinnai will constitute proof-of-purchase for this product. Registration of product installed in new home construction may be verified with a copy of the closing papers provided by the initial home buyer. However, registration is not necessary in order to validate this Limited Warranty.

## What Is Not Covered?

This Limited Warranty does not cover any failures or operating difficulties due to the following:

- Accident, abuse, or misuse
- Alteration of the product or any component part
- Misapplication of this product
- Improper installation (such as but not limited to):
  - Product being installed in a corrosive environment
  - Condensate damage
  - Improper venting
  - Incorrect gas type
  - Incorrect gas or water pressure
  - Absence of a drain pan under the appliance
- Improper maintenance (such as but not limited to scale build-up, freeze damage, or vent blockage)
- Incorrect sizing
- Any other cause not due to defects in materials or workmanship
- Problems or damage due to fires, flooding, electrical surges, freezing or any acts of God
- Any damage caused by poor water quality
- Operating the water heater with anything other than potable water at all times
- Force majeure

There is no warranty coverage on product installed in a closed loop application, commonly associated with space heating only applications.

This Limited Warranty does not apply to any product whose serial number or manufacture date has been defaced.

This Limited Warranty does not cover any product used in an application that uses chemically treated water such as a pool or spa heater.

## Limitation on Warranties

No one is authorized to make any other warranties on behalf of Rinnai America Corporation. Except as expressly provided herein, there are no other warranties, expressed or implied, including, but not limited to warranties of merchantability or fitness for a particular purpose, which extend beyond the description of the warranty herein.

Any implied warranties of merchantability and fitness arising under state law are limited in duration to the period of coverage provided by this Limited Warranty, unless the period provided by state law is less. Some states do not allow limitations on how long an implied Limited Warranty lasts, so the above limitation may not apply to you.

Rinnai shall not be liable for indirect, incidental, special, consequential or other similar damages that may arise, including lost profits, damage to person or property, loss of use, inconvenience, or liability arising from improper installation, service or use. Some states do not allow the exclusion or limitation of incidental or consequential damages, so the above limitation may not apply to you.

This Limited Warranty gives you specific legal rights, and you may also have other rights which vary from state to state.

[www.rinnai.us/warranty](http://www.rinnai.us/warranty)

# Notes

# Notes

# Notes

# Notes

# Notes



# Notes

# Notes

# Notes

# Notes

# Notes

# Notes

# Notes

# Rinnai America Corporation

103 International Drive  
Peachtree City, GA 30269  
Tel. 1-800-621-9419  
Web. [www.rinnai.us](http://www.rinnai.us)  
[www.rinnai.ca](http://www.rinnai.ca)

100000839(02)  
6/2023



# ATTENTION: INSTALLING PERSONNEL KEY POINTS FOR A SUCCESSFUL INSTALLATION

## BEFORE PROCEEDING

**STOP** Read the Installation and Operation Manual before you proceed.

- Use the Installation Checklist in the Installation and Operation Manual after completing the installation.
- Refer to the "Water Quality Guidelines" section in the manual for important water quality information.
- Pay close attention when unpacking the water heater carton box as the packing includes additional components.
- Confirm all included parts are located inside the water heater carton box (refer to the water heater manual for a full list of parts).

## INITIAL SETTINGS

Confirm or change settings of the tankless water heater by choosing one of the two options below.

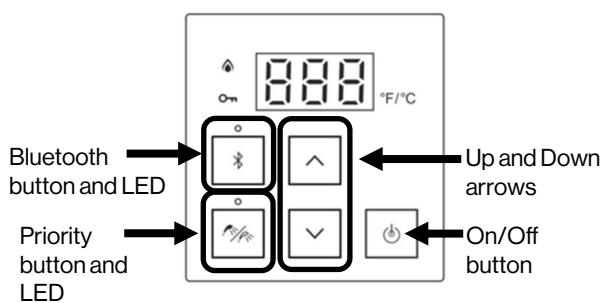
**Option 1: (Recommended)  
Using a Bluetooth®-Capable  
Smart Device**



1. Supply power to the tankless water heater.
2. Display shows "SEt" and Priority button LED is blinking.
3. Download and install the Rinnai Central™ app.
4. Open the Rinnai Central™ app from your smart device. Create an account and log in.
5. Push the Bluetooth button on the controller. The Bluetooth LED light turns solid.
6. Tap "Connect to a Rinnai Tankless Water Heater" on the Rinnai Central™ app.
7. Follow the steps in the Rinnai Central™ app to confirm and/or change your tankless water heater settings.
8. Display will turn off.
9. Tankless water heater setup is complete. Press the on/off button to turn on the tankless water heater.

**Option 2: Using Integrated Controller**

1. Supply power to the tankless water heater.
2. Display shows "SEt" and Priority button LED is blinking.
3. Press the Priority button.
4. Display shows "nG" (Natural Gas).
5. Toggle between gas types "nG" (Natural Gas) or "LPG" (Liquid Propane Gas) by pressing the up or down arrow buttons.
6. Select desired gas type to display.
7. Confirm selection of gas type by pressing the On/Off button.
8. Display shows "in" (indoor Installation).
9. Toggle between "in" (indoor) and "Out" (outdoor) by pressing the up or down arrow buttons.
10. Select desired location to display ("in" or "Out").
11. Confirm installation location by pressing On/Off button.
12. Display flashes desired selections for gas type and location. Priority button LED also flashing.
13. To restart the selection process, press up arrow button or press Priority button to confirm gas and location selections.
14. Display will briefly show "BBB" and sound a beep.
15. Display will turn off.
16. Initial settings are complete. Press the on/off button to turn on the tankless water heater.



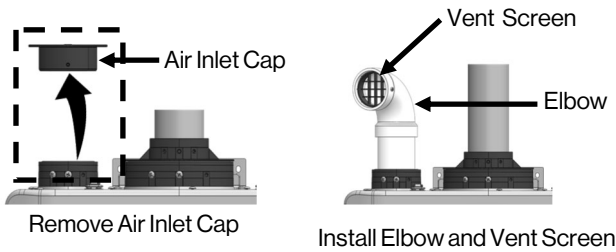
See Installation and Operation Manual for complete description of each controller button.

The Bluetooth® word mark and logos are registered trademarks owned by Bluetooth SIG, Inc.

## VENTING

**(For Indoor Installations Only)**

- Ensure vent pipe slopes 1/4" per ft. (21 mm per meter) toward the water heater.
- Ensure vent system doesn't exceed maximum length allowed.
- Room air installations: Remove the air inlet cap and install elbow and vent screen (see below).



Refer to the Installation and Operation Manual for complete details on the above information.

## TYPICAL INSTALL



## RECIRCULATION PUMP

RXP199i, RXP160i, CXP199i and CXP160i Models Only

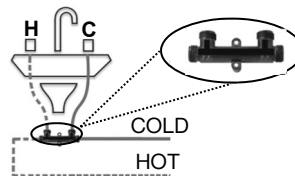
Select the appropriate recirculation mode (Dedicated or crossover) in the parameter settings.

Dedicated mode (parameter setting 04b):

Crossover mode (parameter setting 04c):

Install crossover valve at the furthest fixture from the tankless water heater.

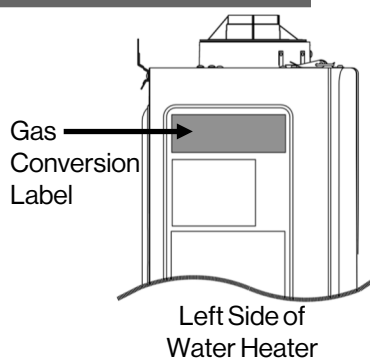
NOTE: To remove air, open a hot water fixture during pump operation. If the air is not fully removed, the pump could run dry.



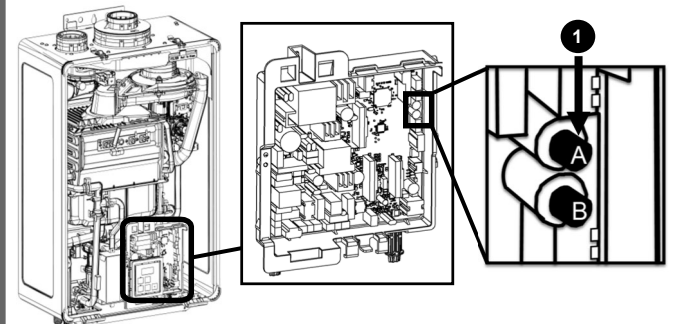
Maximum Pipe Length (Crossover and Dedicated Mode)		
Pipe Diameter	3/4 in.	1/2 in.
Total	400 ft	100 ft

## GAS CONVERSION

If converting from NG to LPG, apply the supplied gas conversion label at an open space above the existing label on the left side of the water heater.

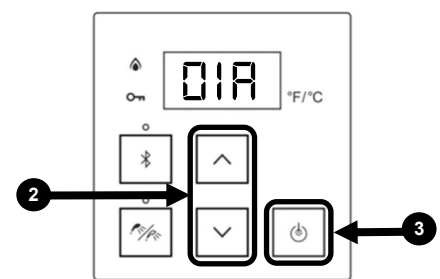


## PARAMETER SETTINGS



**To adjust the parameters:**

1. Press the "A" button for 1 second.
2. Use the up or down button on the integrated controller to select a setting number (See Parameter Settings Table below).
3. Once the desired setting number is selected, use the "On/Off" button on the controller to change the selection for the setting number.  
**Example:** Display will change from 01A to 01b for Maximum Temperature setting.
4. To exit the parameters, press the "A" button on the PC board for 1 second.

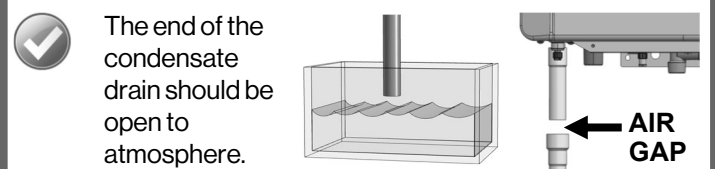


Parameter Settings Table

#	SETTING DESCRIPTION	SELECTION					
		A	b	C	d	E	F
01	Maximum Set Temperature	Residential: 120°F (49°C) Commercial: 140°F (60°C)	Residential: 140°F (60°C) Commercial: 185°F (85°C)				
02	High Altitude (Installation Location)	0 - 2,000 ft (0 - 610 m)	2,001 - 5,400 ft (610 - 1,646 m)	5,401 - 7,700 ft (1,646 - 2,347 m)	7,701 - 10,200 ft (2,347 - 3,109 m)		
03	Service Soon	Disabled	0.5 Year	1 Year	2 Years		
04	Recirculation Settings	No Recirculation	Recirculation (Dedicated)	Recirculation (Crossover)			
05	Recirculation Mode	Economy	Comfort	Commercial			
06	Control Switch	BMS	Air Handler (AH)				
07	Units in Standby (EZConnect™)	2	1				
08	EZConnect™/Cascade	Secondary	Primary				
09	Units in Standby (Cascade)	1	2	3	4	5	6
10	Gas Type	NG	LPG				
12	Built-in Pump Setting	Without Pump	With Pump				
13	Water Heater Model (Factory Set Values. Not Adjustable)	199 (3237)	180 (2934)	160 (2530)	130 (2024)		
14	Indoor/Outdoor	Internal (Indoor)	External (Outdoor)				
15	Low Activation Mode	On	Off				
16	Pump Speed	Max	High	Medium	Low		
17	First Day Pump Operation	Off	On				
18	Smart-Circ with BLE Button	Smart-Circ is Disabled	Smart-Circ is Enabled				

Refer to manual for additional details.

## CONDENSATE



**DO NOT** submerge end of pipe in water. **DO NOT** install an external condensate trap.



U362-0878(01)



230 00012 30402 9

10000850  
7/2023

**Rinnai**®

# ATTENTION: PERSONNEL EN CHARGE DE L'INSTALLATION

## POINTS CLÉS POUR UNE INSTALLATION RÉUSSIE

### AVANT DE COMMENCER

#### STOP Consulter le manuel d'installation et d'utilisation avant de procéder.

- Utiliser la liste de contrôle d'installation du manuel pour vérification une fois l'installation terminée.
- Se référer à la section « Directives relatives à la qualité de l'eau » du manuel pour prendre connaissance des informations importantes.
- Porter une attention particulière lors du déballage du chauffe-eau hors de son carton, car celui-ci comporte des composants additionnels.
- Vérifier que toutes les pièces sont incluses dans le carton du chauffe-eau (consulter le manuel du chauffe-eau pour la liste exhaustive des pièces).

### RÉGLAGES INITIAUX

Valider/modifier les réglages du chauffe-eau instantané en choisissant l'une des deux options ci-dessous:

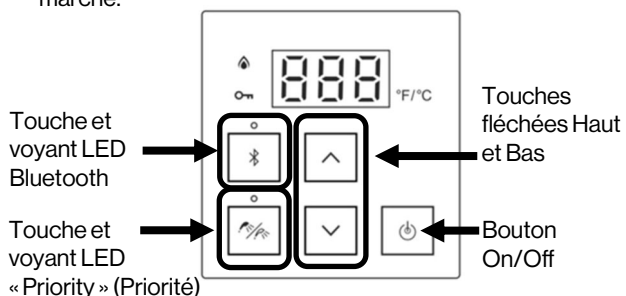
#### Option 1: (Recommandée) Utiliser un appareil avec fonctionnalité Bluetooth®



1. Brancher l'alimentation électrique du chauffe-eau instantané.
2. L'affichage indique « SEt » et la touche « Priority » (Priorité) clignote.
3. Télécharger et installer l'application Rinnai Central™.
4. Démarrer l'application Rinnai Central™ sur votre appareil intelligent. Créer un compte et se connecter.
5. Appuyer sur le bouton Bluetooth du contrôleur. Le voyant LED Bluetooth s'allume en continu.
6. Taper sur « Connect to a Rinnai Tankless Water Heater » (Connexion à un chauffe-eau instantané Rinnai) sur l'application Rinnai Central™.
7. Suivre les instructions de l'application Rinnai Central™ pour valider ou modifier les réglages du chauffe-eau instantané.
8. L'affichage s'éteint.
9. La configuration du chauffe-eau instantané est terminée. Appuyer sur le bouton « ON/OFF » (Marche/Arrêt) pour mettre le chauffe-eau en marche.

#### Option 2: Utiliser le contrôleur intégré

1. Brancher l'alimentation électrique du chauffe-eau instantané.
2. L'affichage indique « SEt » et la touche « Priority » (Priorité) clignote.
3. Appuyer sur la touche « Priority » (Priorité).
4. L'affichage indique « nG » (Gaz naturel).
5. Choisir le type de gaz, « nG » (Gaz naturel) ou « LPG » (Gaz propane liquide) en appuyant sur les touches fléchées Haut et Bas.
6. Sélectionner le type de gaz souhaité.
7. Valider la sélection en appuyant sur le bouton ON/OFF.
8. L'affichage indique « In » (Installation en intérieur).
9. Choisir le type d'installation, « In » (intérieur) ou « Out » (extérieur) en appuyant sur les touches fléchées Haut et Bas.
10. Sélectionner le type d'installation souhaité (« In » ou « Out »).
11. Valider le type d'installation en appuyant sur le bouton ON/OFF.
12. Le type de gaz et d'installation paramétrés s'affichent en clignotant. La touche « Priority » (Priorité) clignote elle aussi.
13. Pour redémarrer le processus de sélection, appuyer sur la touche fléchée Haut ou pour confirmer la sélection, appuyer sur la touche « Priority » (Priorité).
14. L'affichage indique brièvement « BBB » et émet un bip.
15. L'affichage s'éteint.
16. Les réglages initiaux sont terminés. Appuyer sur le bouton « ON/OFF » (Marche/Arrêt) pour mettre le chauffe-eau en marche.



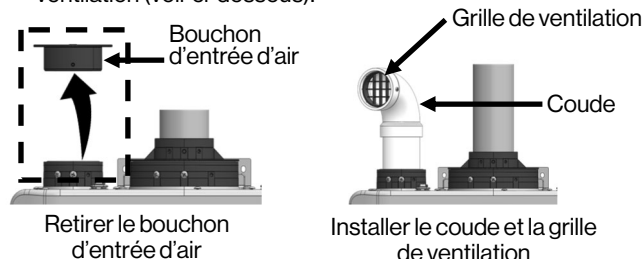
Consulter le Manuel d'installation et d'utilisation pour une description complète de chaque bouton du contrôleur.

La marque et le logo Bluetooth® sont des marques commerciales déposées, propriété de Bluetooth SIG, Inc.

### ÉVACUATION

#### (Pour les installations en intérieur uniquement)

- Incliner les tuyaux d'évacuation avec une pente de 21 mm/m (1/4 po/pi) vers le chauffe-eau.
- S'assurer que le circuit d'évacuation n'excède pas la longueur maximale autorisée.
- Installations à évacuation indirecte (air ambiant): Retirer le bouchon d'entrée d'air et installer le coude et la grille de ventilation (voir ci-dessous).



Se référer au Manuel d'installation et d'utilisation consulter les détails des présentes informations.

### INSTALLATION TYPE

Exemple d'appareil intérieur



### POMPE DE CIRCULATION

#### Modèles RXP199i, RXP160i, CXP199i et CXP160i uniquement

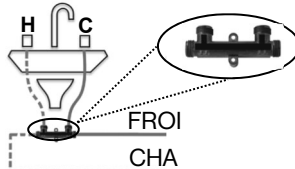
Sélectionner le mode de circulation approprié (dédié ou croisé) dans le réglage des paramètres.

Mode dédié (réglage du paramètre 04b):

Mode croisé (réglage du paramètre 04c):

Installer une vanne d'intercommunication au niveau de l'équipement le plus éloigné du chauffe-eau instantané.

REMARQUE: Pour purger l'air, ouvrir un robinet d'eau chaude durant le fonctionnement de la pompe. Si l'air n'est pas intégralement purgé, la pompe peut fonctionner à vide.

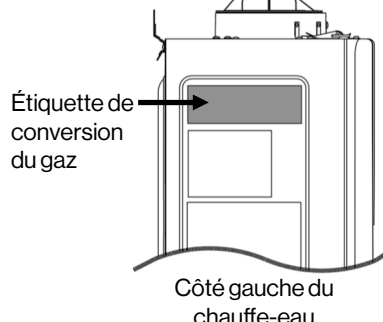


#### Longueur maximale de tuyau (mode croisé et mode dédié)

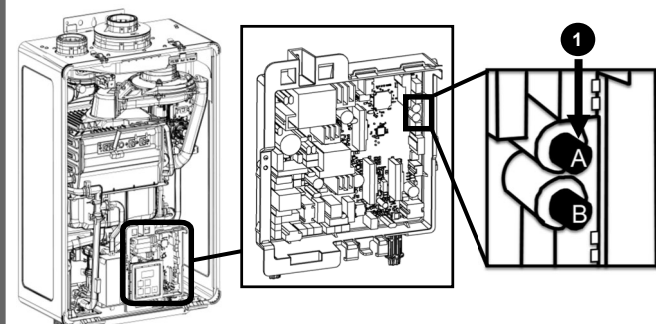
Diamètre de tuyau	19 mm (3/4 po)	15 mm (1/2 po)
Total	400 pi	100 pi

### CONVERSION DU GAZ

En cas de conversion du gaz naturel au « GPL » (gaz propane liquide), appliquer l'étiquette de conversion de gaz fournie sur un emplacement visible au-dessus de l'étiquette existante, sur le côté gauche de l'appareil.

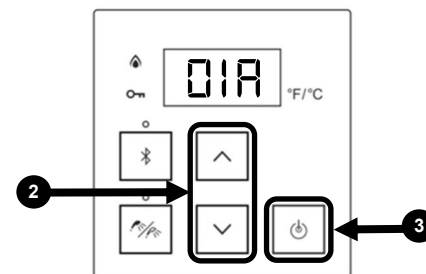


### RÉGLAGES DES PARAMÈTRES



#### Pour régler ces paramètres:

1. Appuyer sur le bouton « A » pendant une (1) seconde.
2. Utiliser les touches fléchées haut et bas sur le contrôleur pour sélectionner un nombre (consulter le « Tableau des réglages des paramètres » ci-dessous).
3. Une fois le nombre souhaité sélectionné, utiliser la touche « ON/OFF » (Marche/Arrêt) du contrôleur pour valider la sélection de ce réglage.  
**Exemple:** Le réglage affiché de la Température maximale passe de 01A à 01b.
4. Pour quitter le réglage des paramètres, appuyer sur le bouton « A » pendant une (1) seconde.

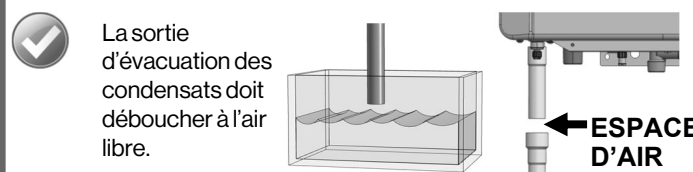


#### Tableau des réglages des paramètres

#	RÉGLAGE	SÉLECTION					
		A	b	c	d	E	F
01	Température de consigne maximale	Modèle résidentiel: 49°C (120°F) Modèle commercial: 60°C (140°F)	Modèle résidentiel: 60°C (140°F) Modèle commercial: 85°C (185°F)				
02	Altitude élevée (Emplacement de l'installation)	0 à 2,000 pi (0 à 610 m)	2,001 à 5,400 pi (610 à 1,646 m)	5,401 à 7,700 pi (1,646 à 2,347 m)	7,701 à 10,200 pi (2,347 à 3,109 m)		
03	Service Soon (témoin d'entretien)	Désactivé	0,5 an	1 an	2 ans		
04	Réglages de recirculation	Non Recirculation	Recirculation (dédié)	Recirculation (croisé)			
05	Mode de circulation	Économie	Confort	Commercial			
06	Commandes	GTB	Centrale de traitement d'air (AH)				
07	Appareils en veille (EZConnect™)	2	1				
08	EZConnect™/ Cascade	Secondaire	Principal				
09	Appareils en veille (cascade)	1	2	3	4	5	6
10	Type de gaz	GN	LPG				
12	Intégré Réglage de la pompe	Sans Pompe	Avec Pompe				
13	Modèle de chauffe-eau (réglage d'usine, modification impossible)	199 (3237)	180 (2934)	160 (2530)	130 (2024)		
14	Intérieur/ Extérieur	En intérieur	En extérieur				
15	Mode d'activation basse	Marche	Arrêt				
16	Régime de la pompe	Max.	Élevé	Moyen	Mode		
17	Fonctionnement de la pompe le premier jour	Arrêt	Marche				
18	Smart-Circ avec bouton BLE	Smart-Circ désactivé	Smart-Circ activé				

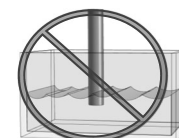
Consulter le manuel pour plus d'informations.

### CONDENSATS



NE PAS submerger l'extrémité du conduit.

NE PAS installer de purgeur de condensats externe.



# Rinnai®